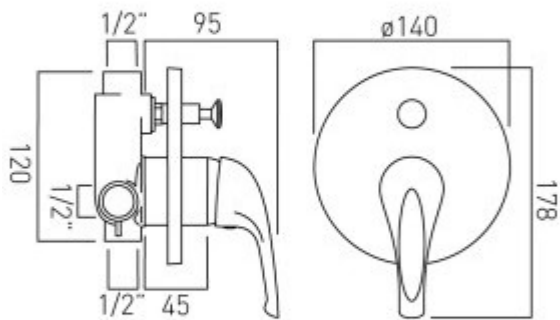




technical drawing



description:

matrix concealed shower valve with diverter single lever wall mounted

finishes:

chrome

minimum operating pressure: 1.5 bar MP

guarantee:

12 year guarantee

VADO wedmore road cheddar somerset england bs27 3eb

tel 01934 744466 fax 01934 744345 sales@vado-uk.com www.vado-uk.com