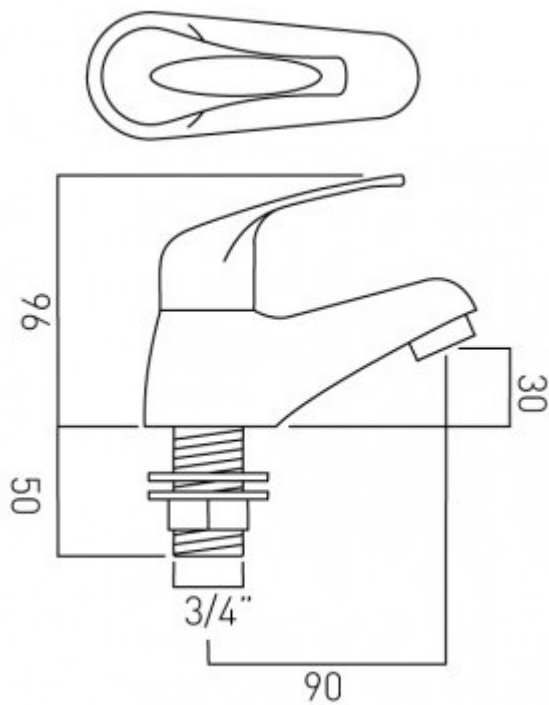




technical drawing



description:

bath pillar taps
deck mounted
with water flow aerator
ceramic cartridge MAT-VALVE/CD/CL-1/2 &
MAT-VALVE/CD/HT-1/2
3/4" x 50mm fitted tail connections
deck mount drill hole diameter 27mm

finishes:

chrome

minimum operating pressure: 0.2 bar LP

guarantee:

12 year guarantee

VADO wedmore road cheddar somerset england bs27 3eb

tel 01934 744466 fax 01934 744345 sales@vado-uk.com www.vado-uk.com