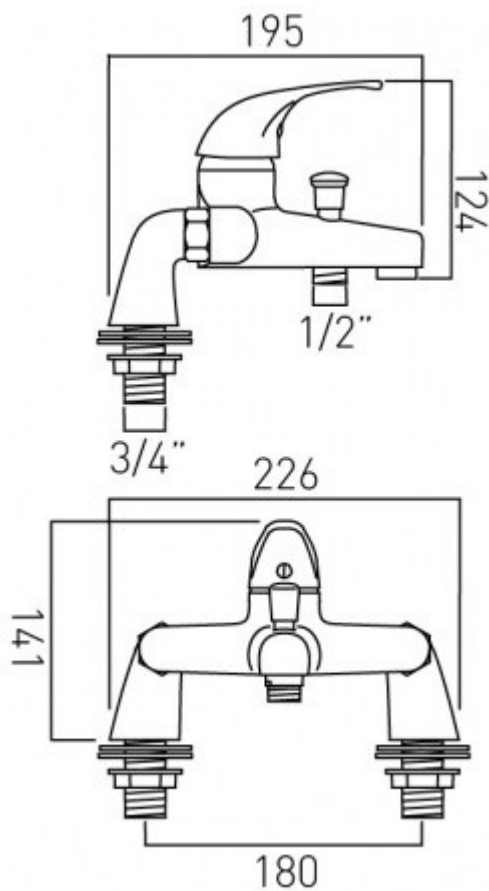




technical drawing



description:

bath shower mixer
pillar mounted
without shower kit
ceramic cartridge CAR-K40A/MAT
2 x 3/4" x 50mm fitted tail connections
deck mount drill hole diameter 28mm

finishes:

chrome

minimum operating pressure: 1.5 bar MP

ECO flow regulator: FR-SHOWER/9-C/P

guarantee:

12 year guarantee

VADO wedmore road cheddar somerset england bs27 3eb

tel 01934 744466 fax 01934 744345 sales@vado-uk.com www.vado-uk.com