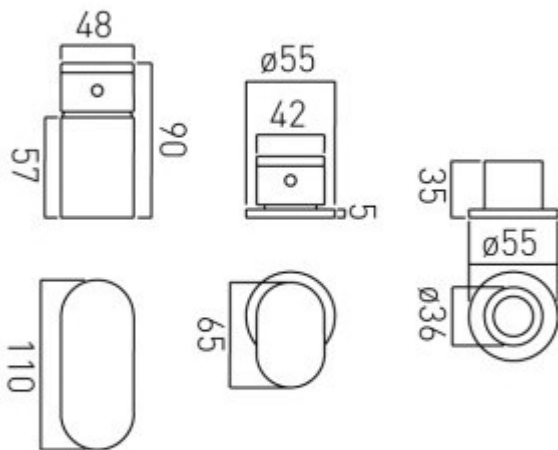




technical drawing



description:

3 hole bath shower mixer
single lever
deck mounted
without spout
for use with bath filler waste and overflow
ceramic cartridge CAR-K40A
2 x 10mm (1/2") flexipipe connection on valve
1 x 1/2"x1/2" flexipipe
1 x 1/2"x1/2" x 150cm shower hose
3 x 350mm flexipipe connections
valve deck mount drill hole diameter 32mm
diverter deck mount drill hole diameter 28mm
handset deck mount drill hole diameter 28mm

finishes:

chrome

minimum operating pressure: 3.0 bar HP

Eco flow regulator: FR-SHOWER/9-C/P

guarantee:

12 year guarantee

VADO wedmore road cheddar somerset england bs27 3eb

tel 01934 744466 fax 01934 744345 sales@vado-uk.com www.vado-uk.com