

customer/technical services

For any technical or installation queries please contact Vado on 01934 745163.

guarantee

This product is guaranteed against manufacturing defects from the date of purchase until the expiry of the relevant guarantee period shown below.

The guarantee is only valid if:-

1. The product has been installed, used and maintained in accordance with Vado's instructions and subjected to normal use only.
2. The defect is not due to use of an unsuitable or inadequate water or power supply.
3. The defect is not due to accident, misuse, neglect or repair other than by Vado or Vado authorised agents or damage caused by foreign objects or substances.
4. We have received from you the completed Guarantee Registration Form. Vado accepts no responsibility for any forms lost in the post and returns by registered means is therefore recommended.

Under this guarantee (which is non-transferable) Vado will, at its option, repair or replace free of charge any product (or replacement part) found to be defective. The guarantee does not extend to any consequential loss or damage. After repair or replacement the relevant guarantee period will be calculated from the original date of purchase.

The relevant guarantee periods are:-

1. Twelve years on chrome finish products.
2. Three years on all other products with the exception of Stuart Turner Pumps which carry a 2 year Guarantee on Monsoon Range and 1 Year Guarantee on Showermate Range.

All claims under the guarantee must be submitted in writing to the person who supplied the product to you and must be received no later than the last day of the relevant guarantee period. All claims must be accompanied by proof of purchase (sales receipt or delivery note).

Vado operates a policy of continuous product development and therefore reserves the right to change the product, packaging and documentation specifications without notice.

This guarantee is in addition to and does not affect your statutory rights as a consumer.

Vado

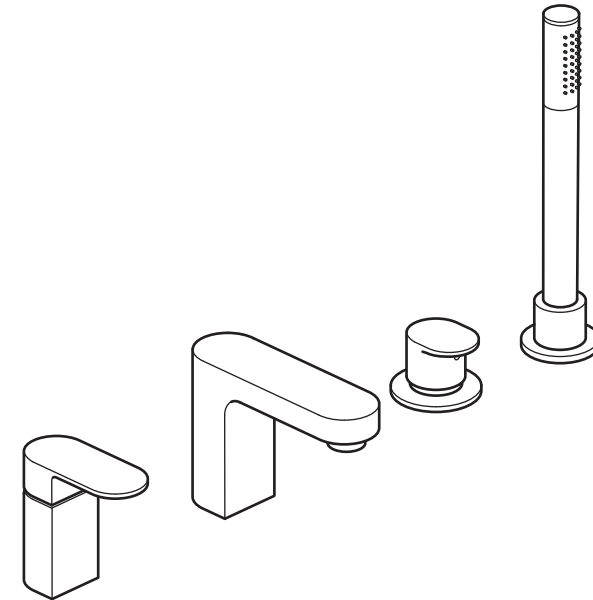
Wedmore Road, Cheddar, Somerset, England BS27 3EB
tel 01934 744466. fax 01934 744345
technical@vado-uk.com
www.vado-uk.com

GUARANTEE REGISTRATION

NAME				
ADDRESS				
	POSTCODE			
RETAILER				
ADDRESS				
	POSTCODE			
PURCHASE DATE	ARTICLE NUMBER	(SEE BOX)		
PRODUCT DESCRIPTION				
WHO INSTALLED THE PRODUCT?	RETAILER	PLUMBER	BUILDER	SELF
FOR VADO USE				



installation & maintenance instructions



life

4 hole single lever bath shower mixer
3 hole single lever bath shower mixer

please leave these instructions with the customer

important - please read

Please read these instructions carefully before starting installation and keep for future reference.

Remove all packaging and check the product for missing parts or damage before starting installation.

Any alterations made to this product and fittings may infringe water regulations and will invalidate the guarantee.

The installation must comply with all Local/National Water Supply Authority Regulations/Byelaws and Building and Plumbing (UK:BS6700) Regulations.

We strongly recommend that you use a qualified and registered plumber.

general installation

These fittings are mixing devices and therefore water supplies must be reasonably balanced.

Where connections are made to the mains cold water supply, WRC approved single check valves must be fitted to both hot and cold inlets. This is a stated requirement of Water Supply (Water Fittings) Regulations 1999 Schedule 2, Section 6 G15.13.2

Before making any inlet pipe connections, all supply pipes MUST be thoroughly flushed to remove debris. Failure to do so could result in damage or low flow from the mixer unit. Water Supply (Water Fittings) Regulations 1999 Schedule 2 Section 4 G13.1

The fitting of isolating valves to the inlet feeds is advised for ease of maintenance.

Please take great care when installing this mixer not to damage its surface.

Please note if installing in an enclosed environment, access should be left for servicing and maintenance. No costs relating to inadequate access can be accepted.

care of the taps

Our products are finished to the highest standard and due care needs to be taken to ensure their looks are retained.

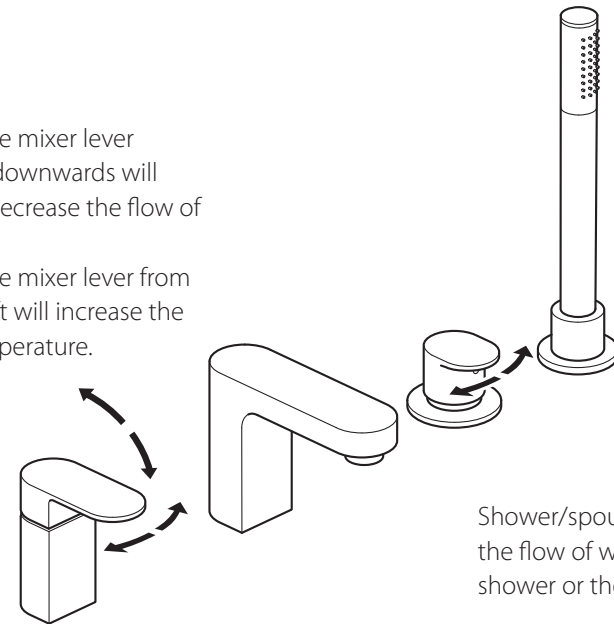
We recommend cleaning all products with a soft damp cloth ONLY and advise strongly against the use of ALL cleaning products i.e. powders and liquids.

If the above instructions are not followed this will invalidate your guarantee in the event of a problem occurring.

operation

Moving the mixer lever upwards/downwards will increase/decrease the flow of water.

Moving the mixer lever from right to left will increase the water temperature.



Shower/spout lever - diverts the flow of water to either the shower or the spout.

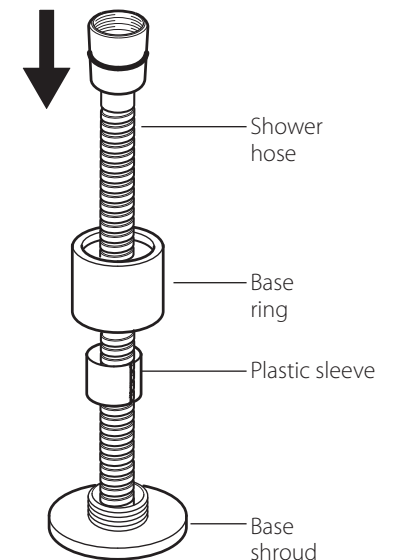
maintenance

Removing the shower hose.

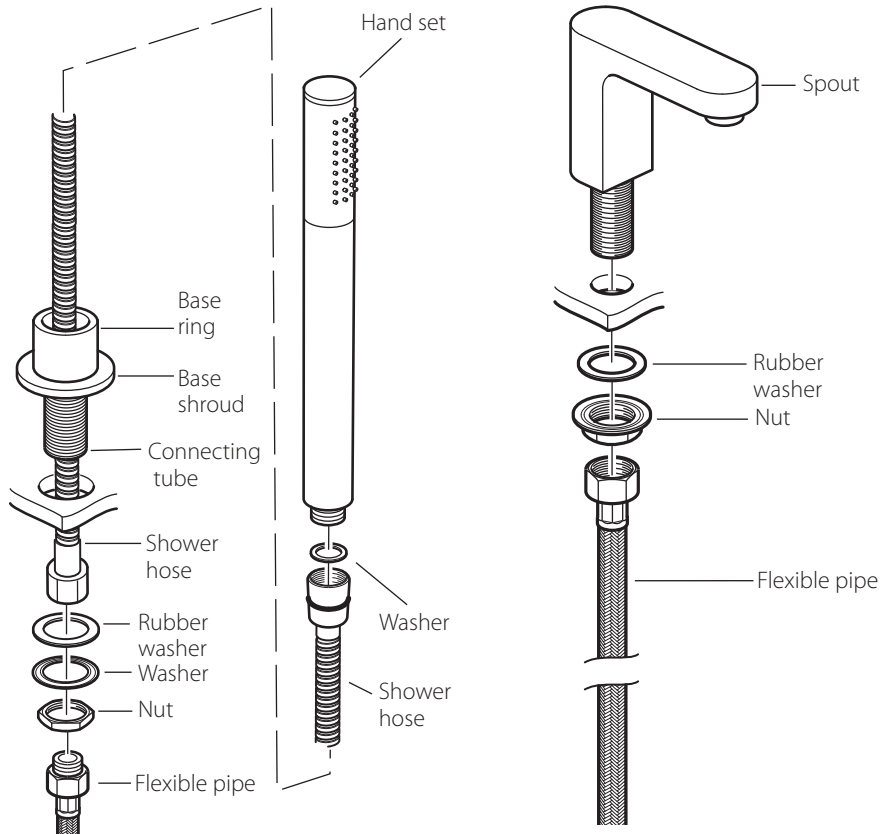
Should you need to replace the shower hose, unscrew the base ring from the base shroud, remove the plastic sleeve and pull the shower hose through the connecting tube from underneath the unit. Remove the shower hose from the flexible hose coming from the diverter.

Fitting a new shower hose.

Place a rubber washer into the nut end of the new hose and connect to the flexible pipe. Push the cone end of the hose up through the connecting tube, clip on the plastic sleeve and screw the base ring back onto the base shroud. Finally connect the new hose to the handset.



installation - shower (and optional spout)



Remove the nut, washer and rubber washer from the connecting tube. Push the shower hose and connecting tube down through the hole, make sure the seal is in position in the bottom of the base shroud. From the underside slide on the rubber washer, metal washer and then the nut. Tighten the nut to clamp on the cover plate.

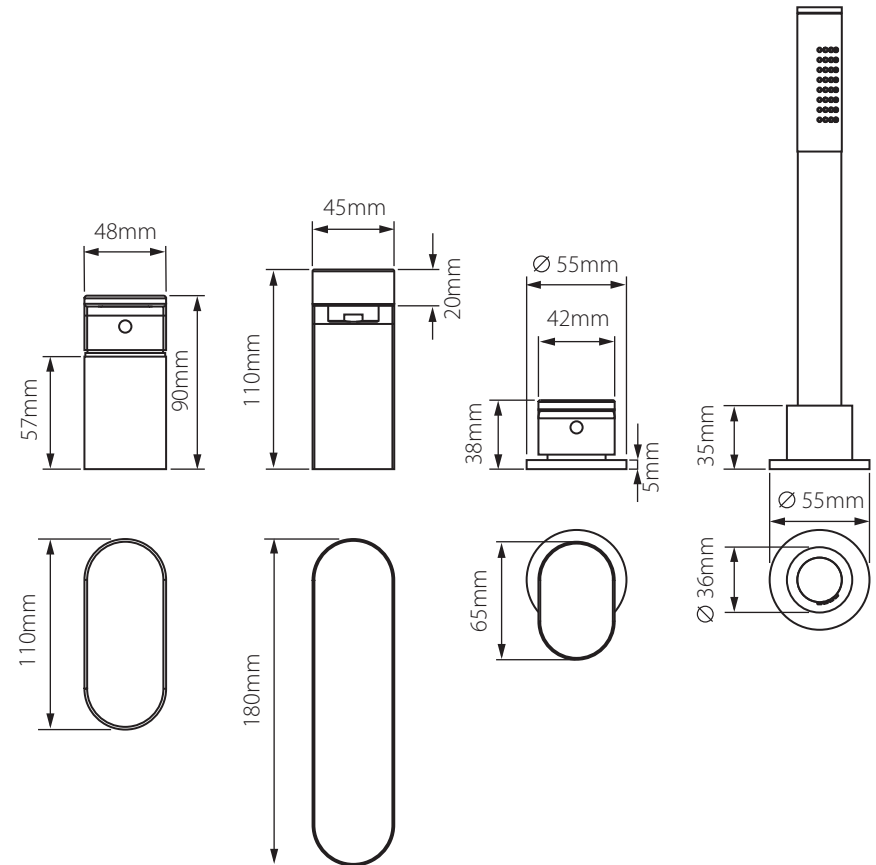
CAUTION: Do not over tighten the nut. Place a rubber washer into the nut end of the shower hose and screw onto the flexible pipe coming from the diverter. Place the rubber washer into the cone end of the hose and screw to the handset.

Position the spout in place, and from the underside slide on the rubber washer, and then the washer/nut. Tighten the nut to clamp on the spout.

CAUTION: Do not over tighten the nut.

Connect the spout to the diverter using the large flexible pipe.

dimensions



Operating Specifications

Operating Pressure:
 Minimum operating pressure 3 bar
 Maximum operating pressure 5 bar

installation - tap

Before installing your new mixer, flush through the pipework to ensure removal of debris, turn off the water supply.

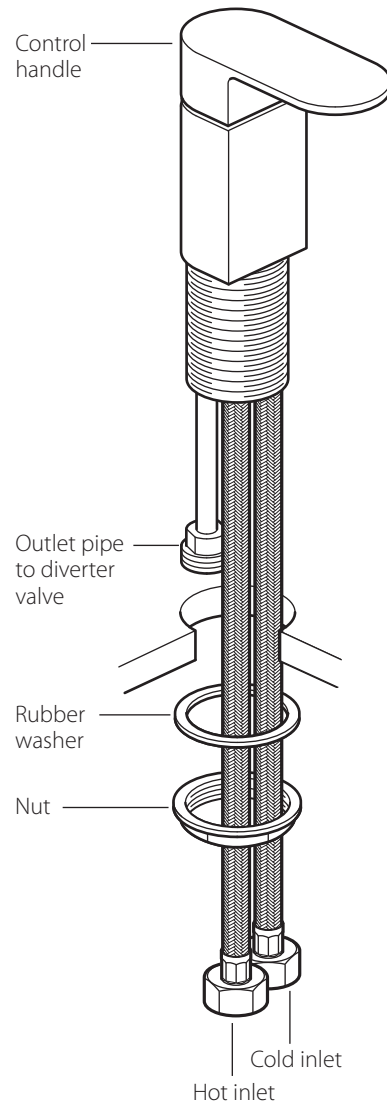
Remove the nut and washer and push the valve down through the hole in the unit, slide the rubber washer and nut over the flexible pipes and outlet pipe and screw onto the valve.

Tighten the nut to clamp the mixer to the unit.

CAUTION: Do not over tighten the nut as this may damage the unit.

Connect the water supply to the inlet pipes. The hot water should be connected to the left hand pipe.

Connect the back outlet pipe to the diverter using a flexible pipe.



installation - diverter valve

Screw the nut onto the valve body, slide on the metal washer and rubber washer, push the valve up through the hole in the unit.

Slide the cover ring over the valve making sure that the seal is in place on the underside. Screw the cover onto the valve. From the underside tighten the nut to secure the valve in place.

CAUTION: Do not over tighten the nut as this might damage the unit.

Carefully push the control handle onto the splines of the valve and secure using the hexagonal screw, replace the screw cover.

Connect the valve to the tap, spout and handset using the flexible connectors.

