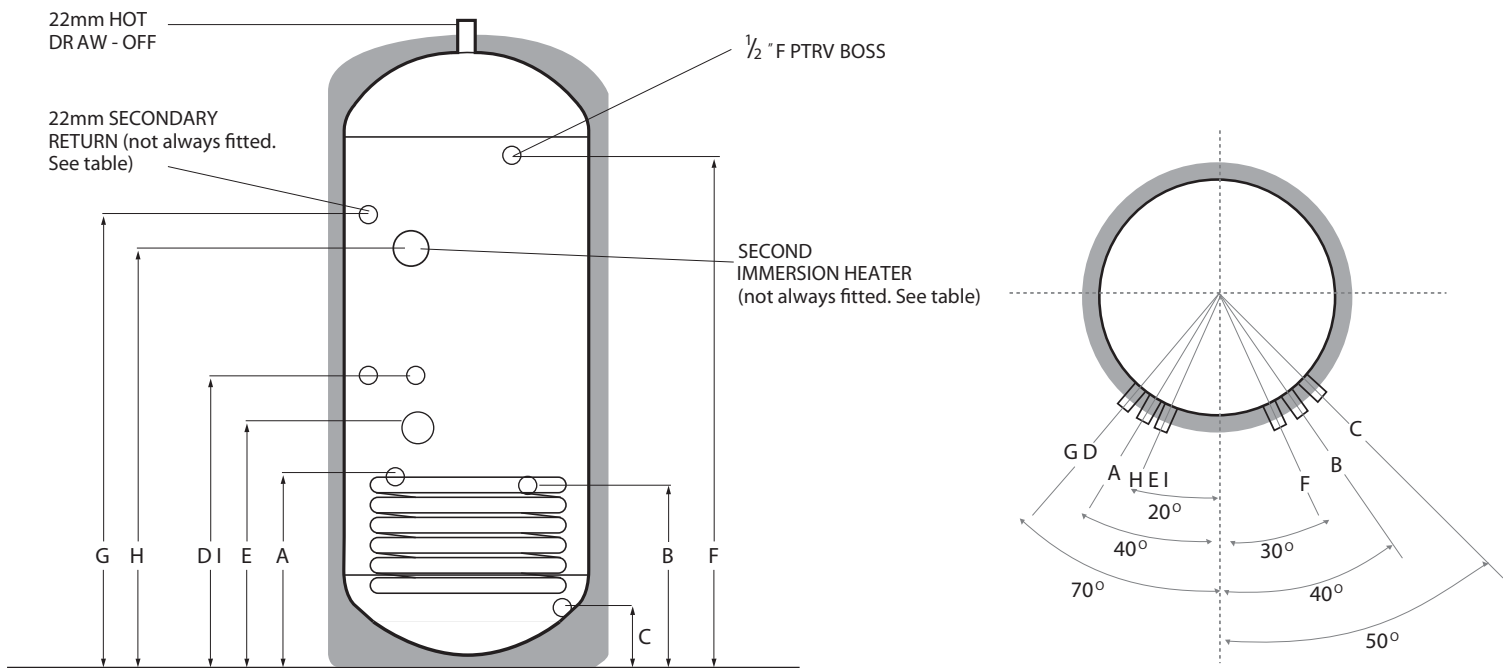


Aerocyl Heat Pump Only



PRODUCT CODE	CAPACITY (Litres)	HEIGHT	DIAMETER	A	B	C	D	E	F	G	H
AAU150C	150	1128	550	450	425	135	650	515	863	N/F	N/F
AAU180C	180	1322	550	450	425	135	650	515	1057	N/F	N/F
AAU210C	210	1515	550	450	425	135	650	515	1250	1100	N/F
AAU250C	250	1772	550	450	425	135	650	515	1508	1350	1195
AAU300C	300	2096	550	450	425	135	650	515	1831	1706	1515

All dimensions are in mm and are of the cased unit. N/F = not fitted
 *kW rating of coil when tested in accordance with BS EN 12897