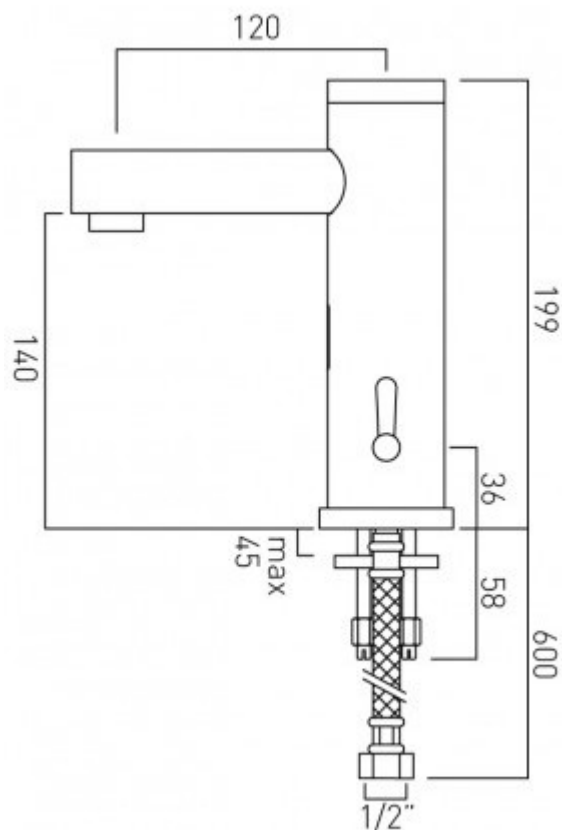




Technical sheet: IR-100/Z00T-C/P



technical drawing



description:

zoo infra-red mono basin mixer
with adjustable temperature control
with rub clean aerator
deck mounted
mains or battery operated
takes standard AA batteries
ceramic cartridge IR-100/CONTROL

finishes:

chrome

minimum operating pressure: 0.5 bar LP

ECO flow regulator: FR-100/5-PLA

guarantee:

12 year guarantee

VADO wedmore road cheddar somerset england bs27 3eb

tel 01934 744466 fax 01934 744345 sales@vado-uk.com www.vado-uk.com