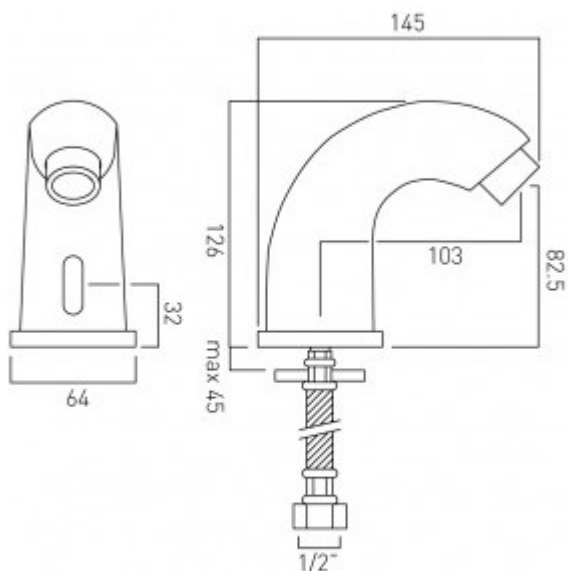




**technical drawing**



**description:**

project line infra-red mono basin mixer  
with rub clean aerator  
deck mounted  
mains or battery operated  
takes standard AA batteries  
ceramic cartridge IR-100/CONTROL

**finishes:**

chrome

**minimum operating pressure:** 0.5 bar LP

**Eco flow regulator:** FR-100/5-PLA

**guarantee:**

12 year guarantee

VADO wedmore road cheddar somerset england bs27 3eb

tel 01934 744466 fax 01934 744345 sales@vado-uk.com www.vado-uk.com