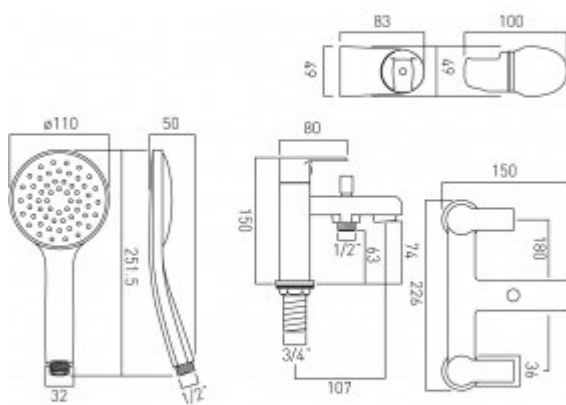




**technical drawing**



**description:**

2 hole bath shower mixer  
single lever  
deck mounted  
with shower kit  
cold ceramic cartridge ION-VALVE/CD/CL-3/4  
hot ceramic cartridge ION-VALVE/CD/HT-3/4  
2 x 3/4" fitted tails  
deck mount drill hole diameter 28-30mm

**finishes:**

chrome

**minimum operating pressure:** 0.5 bar LP

**Eco flow regulator:** FR-100/5-PLA

**guarantee:**

12 year guarantee

VADO wedmore road cheddar somerset england bs27 3eb

tel 01934 744466 fax 01934 744345 sales@vado-uk.com www.vado-uk.com