



For latest prices and delivery to your door visit MyTub Ltd 0845 303 8383 www.mytub.co.uk

AFTERCARE INSTRUCTIONS

Your fitting has a high quality finish and should be treated with care to preserve the visible surfaces. All surface finishes will wear if not cleaned correctly, the only safe way to clean your mixer is to wipe with a soft damp cloth. Stains can be removed using washing up liquid. All bath cleaning powders and liquids will damage the surface of your fitting even the non-scratch cleaners.

GUARANTEE

All products are manufactured to the highest standards and a 5 year guarantee covers any defect in manufacture.

NOTE: The 5 year guarantee on the valves is invalidated if damaged by any waterborne debris.

In the interests of continuous product development we reserve the right to alter specification as necessary.

Please Note: In the unlikely event you find a part missing please contact our Customer Service Helpline on 0844 701 6273 or email enquire@bristan.com for immediate despatch of part.

PRODUCT CODE: J 1HBSM C
TELEPHONE HELPLINE: 0844 701 6273

Bristan Group Ltd
Birch Coppice Business Park
Dordon
Tamworth
Staffordshire
B78 1SG
UK
A Masco Company

Web Site: www.bristan.com
Telephone: 0844 701 6274
Facsimile: 0844 701 6275
Email: enquire@bristan.com
(F) J 1HBSM) (R2)

(H)



Java 1 Hole Bath Shower Mixer

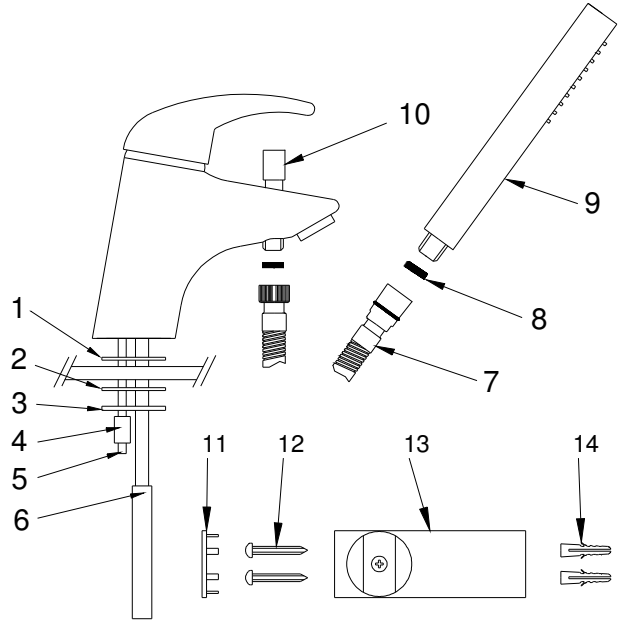
Fitting Instructions

Please keep these instructions for future reference and for the ordering of spare parts.

WATER PRESSURE

This mixer is suitable for use at all supply pressures. However for optimum use both the hot and cold supplies should be reasonably balanced. If the fitting is installed at low pressure (tank fed), then the minimum distance from the outlet of the nozzle to the underside of the cold tank should be 3 metres to ensure adequate performance. This equates to a minimum operating pressure of 0.3 bar. The distance from the highest installed position of the handset to the underside of the cold tank should be 2 metres to ensure adequate shower performance.

This mixer should be installed in compliance with Water Regulations. Where the supplies are unbalanced, i.e. hot water from the cylinder tank / cold from the mains, approved check valves must be fitted in the supply pipes. For further details contact your Local Water Authority.



INSTALLATION

1. Identify all components and check for completeness, particularly before arranging fitting.
 2. Fit the mixer body to the bath using the 'C' plate fixing kit. The full rubber washer (1) goes between the fitting and the bath, and the 'C' shaped rubber (2) and metal washers (3) on the underside of the bath, to be secured by the nut (4) and threaded rod (5).
 3. Fit the tail pipes (6) to the fitting and connect the hot and cold supplies.
 4. Attach hose (7) to body using one of the small rubber washers (8), attach the handset (9) to the other end using the second small rubber washer (8).
 5. Fully open the mixer in the mid position, letting it run for a few minutes, and operating the diverter (10) to check the handset and hose.
 6. Check all joints and connections for leaks.
 7. Measure and mark out the centers of the handset holder (13), prior to drilling in relation to the mixer.
 8. Drill the wall to suit rawl plugs (14) supplied.
- Prior to drilling into walls, check there are no hidden electrical wires, cables or water supply pipes with the aid of an electronic detector. If you use power tools do not forget to:



- Wear eye protection
- Unplug equipment after use

9. Using fixing screws (12) fix handset holder (13) into position, finish with cap (11).
10. See over page for aftercare instructions.

MAINTENANCE

1. Isolate water supplies.
2. Prise out handle cap, loosen grub screw and lift off the handle.
3. Unscrew the shroud and brass retaining plate and lift out the cartridge complete with seal.
4. Clean or replace cartridge, clean and grease seal and refit. Please note that there are locating pins on the bottom of the cartridge that fit in holes inside the tap, to ensure it is fitted the right way round.
5. Refit the handle and tighten the grub screw. Replace the handle cap.
6. If problem persists contact our helpline quoting the product code.