



For latest prices and delivery to your door visit MyTub Ltd 0845 303 8383 www.mytub.co.uk

**AFTERCARE INSTRUCTIONS**

Your fitting has a high quality finish and should be treated with care to preserve the visible surfaces. All surface finishes will wear if not cleaned correctly, the only safe way to clean your mixer is to wipe with a soft damp cloth. Stains can be removed using washing up liquid. All bath cleaning powders and liquids will damage the surface of your fitting - even non-scratch cleaners.

**GUARANTEE**

All products are manufactured to the highest standards and a 5 year guarantee covers any defect in manufacture.

**NOTE:** The 5 year guarantee on the valves is invalidated if damaged by any waterborne debris.

*In the interests of continuous product development we reserve the right to alter specification as necessary.*

**TELEPHONE HELP LINE: 0844 701 6273**

Bristan Group Ltd  
Birch Coppice Business Park  
Dordon  
Tamworth  
Staffordshire  
B78 1SG  
UK  
A Masco Company

Web Site: [www.bristan.com](http://www.bristan.com)  
Telephone: 0844 701 6274  
Facsimile: 0844 701 6275  
Email: [enquire@bristan.com](mailto:enquire@bristan.com)

(FI SELF CLOSE) (R2) (H)



# Self Closing Tap

## Fitting Instructions & Contents List

**Please keep these instructions for future reference and for the ordering of spare parts.**

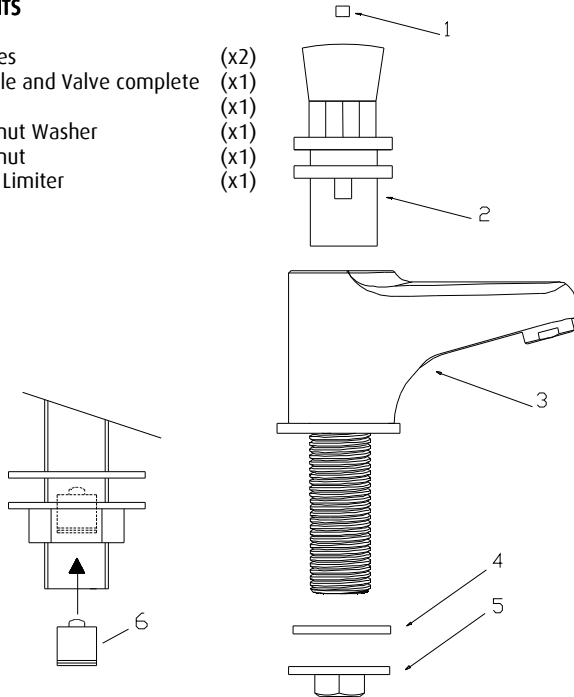
## WATER PRESSURE

These taps are suitable for use at all supply pressures. If installed at low pressure (tank fed), then the minimum distance from the outlet of the nozzle to the underside of the cold tank should be approximately 2 metres to ensure adequate performance.

The taps should be installed in compliance with Water Regulations. For further details contact your Local Water Authority.

## CONTENTS

- |                              |      |
|------------------------------|------|
| 1. Indices                   | (x2) |
| 2. Handle and Valve complete | (x1) |
| 3. Body                      | (x1) |
| 4. Backnut Washer            | (x1) |
| 5. Backnut                   | (x1) |
| 6. Flow Limiter              | (x1) |



## INSTALLATION

1. Identify all components and check for completeness, particularly before arranging fitting.
2. Install the tap (3) into the basin. The backnut (5) and backnut washer (4) are used to secure the tap to the surfaces underneath the basin.

**NOTE:** If the supply pressure is above one bar it may be advisable to fit the flow limiter. The flow limiter should be fitted to the tail of the tap with the arrow pointing upwards and the o-ring at the base.

3. Connect the hot and cold water supplies.
4. Turn on the water supplies. Open both taps letting the water flow for a few minutes to check all joints and connections for leaks.
5. See over the page for aftercare instructions.

## MAINTENANCE

### If the fitting begins to drip:

1. Turn off the water supply.
2. Remove indices (1) and then remove handle and cartridge assembly (2) by pulling from body (3). Using a suitable spanner, remove valve. Once removed, carefully clean seating and all components.
3. Replace all of the above then turn on the water supply.
4. If problem persists contact our helpline quoting the product code.

**Please Note:** In the unlikely event you find a part missing please contact our Customer Service Helpline on 0844 701 6273 or email [enquire@bristan.com](mailto:enquire@bristan.com) for immediate dispatch of part.