



AFTERCARE INSTRUCTIONS

Your fitting has a high quality finish and should be treated with care to preserve the visible surfaces. All surface finishes will wear if not cleaned correctly, the only safe way to clean your mixer is to wipe with a soft damp cloth. Stains can be removed using washing up liquid. All bath cleaning powders and liquids will damage the surface of your fitting even the non-scratch cleaners.

GUARANTEE

All products are manufactured to the highest standards and a 5 year guarantee covers any defect in manufacture.

NOTE: The 5 year guarantee on the valves is invalidated if damaged by any waterborne debris.

In the interests of continuous product development Bristan reserve the right to alter specification as necessary.

PRODUCT CODE: TG SNK C

TELEPHONE HELP LINE: 0844 701 6273

Bristan Group Ltd
Birch Coppice Business Park
Dordon
Tamworth
Staffordshire
B78 1SG
UK
A Masco Company

Web Site: www.bristan.com

Telephone: 0844 701 6274

Facsimile: 0844 701 6275

Email: enquire@bristan.com

(FI TG SNK)

(D2)

(KE)

BRISTAN

Target Monobloc Kitchen Mixer

Fitting Instructions

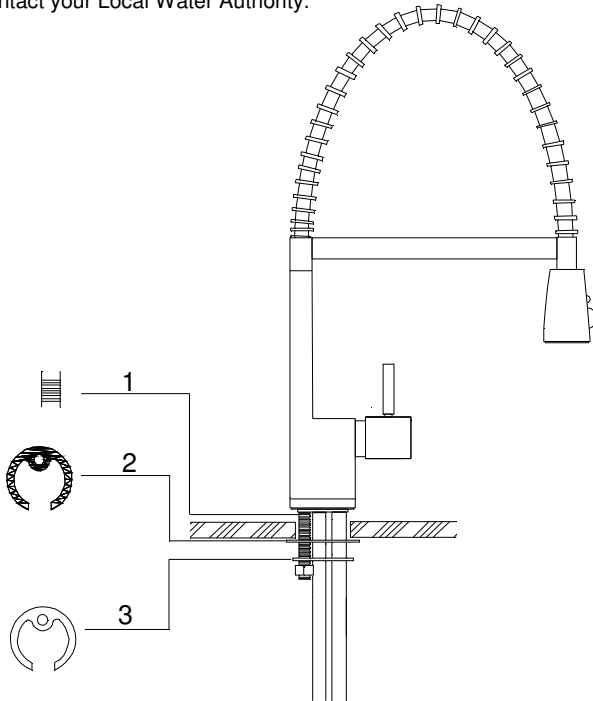
**Please keep these instructions for future reference
and request of replacement parts.**



WATER PRESSURE

This mixer is suitable for use at pressures of 1 bar or more. This mixer should be installed in compliance with Water Regulations.

Note: This mixer is supplied with check valves which should be used on the hot supply when the mixer is fitted to un-balanced supplies to prevent backflow i.e. Cold from the mains and hot via a hot water cylinder. To comply with Water Regulations a further check valve must be fitted on the cold supply. For further details contact your Local Water Authority.



INSTALLATION

1. Identify all components and check for completeness, particularly before arranging installation
2. Thread the tailpipes through the hole in the sink, positioning the base on the sink.
3. Put the C-plate rubber washer (2) and the fixing C-plate (3), securing in position with the nut on the threaded rod (1).
4. Fit the tail pipes to the fitting and the check valve to the hot inlet then connect the hot and cold supplies.
5. Fully open the cartridge letting it run for a few minutes and check all joints and connections for leaks.
6. See over the page for aftercare instructions.

MAINTENANCE

If the fitting begins to drip:

1. Isolate water supplies.
2. Loosen lever grub screw and disassemble handle.
3. Remove shroud and brass retaining plate and lift out the cartridge complete with seal.
4. Clean or replace cartridge, clean and grease seal and refit.

Note: that there are locating pins on the bottom of the cartridge that fit in holes inside the tap, to ensure it is fitted the right way round.

5. Refit brass retaining plate and reassemble lever.
6. If problem persists contact our helpline quoting the product code.

Please Note: In the unlikely event you find a part missing please contact our Customer Service Help line on 0844 701 6273 for immediate dispatch of part.