

BRISTAN

AFTERCARE INSTRUCTIONS

Your fitting has a high quality finish and should be treated with care to preserve the visible surfaces. All surface finishes will wear if not cleaned correctly, the only safe way to clean your mixer is to wipe with a soft damp cloth. Stains can be removed using washing up liquid. All bath cleaning powders and liquids will damage the surface of your fitting even the non-scratch cleaners.

GUARANTEE

All products are manufactured to the highest standards and a 5 year guarantee covers any defect in manufacture. As gold and special effect finishes are softer than chromium plate, special care must be taken when cleaning, a 3 year guarantee covers these finishes.

NOTE: - the 5 year guarantee on the valves is invalidated if damaged by any water born debris.

In the interests of continuous product development we reserve the right to alter specification as necessary.

TELEPHONE HELP LINE: 0844 701 6273

Bristan Group Ltd
Birch Coppice Business Park
Dordon
Tamworth
Staffordshire
B78 1SG
UK
A Masco Company

Web Site: www.bristan.com
Telephone: 0844 701 6274
Facsimile: 0844 701 6275
Email: enquire@bristan.com

(FI DSM)

(D2)

(H)

Deck Sink Mixer

Fitting Instructions

Please keep these instructions for future reference and for the ordering of spare parts.



WATER PRESSURE

This mixer is suitable for use at all supply pressures.

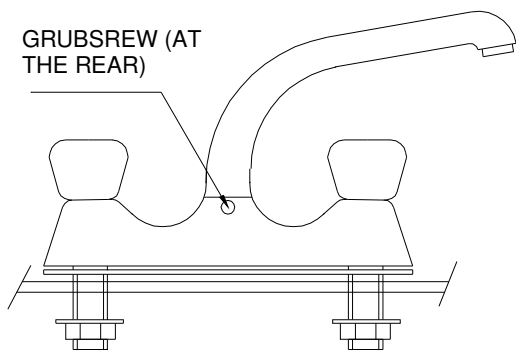
If the fitting is installed at low pressure (tank fed), then the minimum distance from the outlet of the nozzle to the underside of the cold tank should be 1.8 metre to ensure adequate performance.

This mixer should be installed in compliance with the Water Regulations.

For further details contact your Local Water Authority.

INSTALLATION

1. Identify all components and check for completeness, particularly before arranging fitting.
2. If required, fit the spout into the body, Remove the grub screw before fitting the spout to prevent damage to the 'O' rings, which can lead to a leak at the base of the spout. Ensure that the grub screw is replaced once the spout is fitted.
3. Fit the mixer to the sink using the gasket and backnuts, connect the hot and cold water supplies.
4. Fully open both valves, letting them run for a few minutes to flush the system.
5. Check all joints and connections for leaks.
6. See over the page for aftercare instructions.



MAINTENANCE

Sureflow type valves: - If the fitting self-opens

1. Remove fitting head.
2. Tighten gland nut on top of valve.

Traditional type valves: - If the fitting leaks from the spindle

1. Remove fitting head (if necessary).
2. Tighten gland nut on top of valve.

All valve types: - If the fitting begins to drip

1. Turn off the water supply.
2. Remove fitting head and valve.
3. Carefully clean seating and rubber washer.
4. Replace valve and turn on the water supply.
5. Contact our helpline if problem persists.

Please Note: In the unlikely event you find a part missing please contact our Customer Service Help line on 0844 701 6273 for immediate dispatch of part.