

BRISTAN

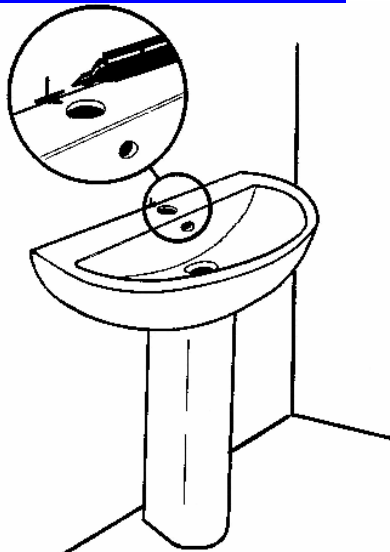
Basin Fitting Instructions for Quest /Jute/Blade Basins

Please ensure these instructions are followed carefully - if you are unsure about any aspect of the installation, please consult a qualified installer.

NOTES:

- Consider and plan the installation of your basin taps and basin waste- pre installing them prior to fixing your basin may be required.
- Use wall fixings suitable for your wall construction.
- Do not over tighten wall fixings, taps or wastes onto the ceramic.
- For Semi pedestal installation- see overleaf.
- Use a non permanent marker or pencil for marking.

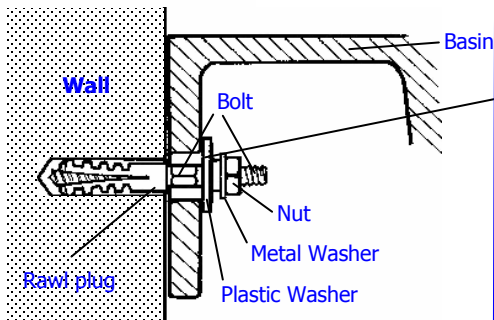
Standard Pedestal Installation



1. Place the basin on the pedestal and move into the required position in your bathroom.
2. Ensure the basin is correctly positioned on the pedestal. Ensure it is level and it's back is in full contact with the wall.
3. Carefully mark the centre of the basin on it's tapledge and extend this line up where it meets the wall.
4. Carefully mark a horizontal line on the wall above the back edge of the basin.
5. Remove the basin leaving a mark on the wall in the shape of an inverted 'T'.

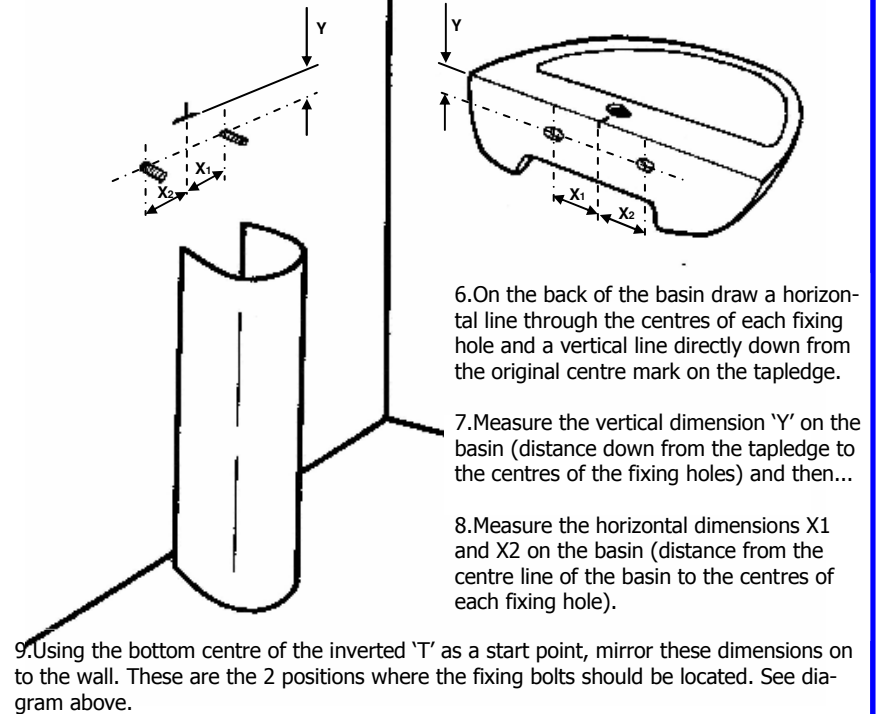
Basin Fixing Bolt

Typical bolt assembly shown into masonry wall.
For stud walls screw bolt directly into timber frame.
NB. The bolt assembly supplied may vary slightly from the illustration.



NB. On some basins the sleeve on the Plastic Washer wont fit through the Fixing Hole of the basin- simply remove with a hacksaw if this is the case.

Standard Pedestal Installation cont'



6. On the back of the basin draw a horizontal line through the centres of each fixing hole and a vertical line directly down from the original centre mark on the tapledge.
7. Measure the vertical dimension 'Y' on the basin (distance down from the tapledge to the centres of the fixing holes) and then...
8. Measure the horizontal dimensions X1 and X2 on the basin (distance from the centre line of the basin to the centres of each fixing hole).

9. Using the bottom centre of the inverted 'T' as a start point, mirror these dimensions on to the wall. These are the 2 positions where the fixing bolts should be located. See diagram above.

NB. Wall fixings are provided for your convenience and can be used directly into the timber frame of a stud wall or with Rawl plug into a solid, masonry wall. Ensure you use the correct drill diameter for your application.

10. Drill the wall to take the fixing bolts and rawl plugs provided. Install the fixing bolts leaving sufficient thread showing to locate the basin and secure the washers and nuts.

11. Relocate the basin on to the pedestal, and secure the basin to the wall. See diagram below left.

BRISTAN HELPLINE = 0844 7016273

Bristan Group Limited
Birch Coppice Business Park
Dordon
Tamworth
Staffs, B78 1SG
A Masco Company

Code	NA
Issue	01
Date	20/09/07

Please ensure these instructions are followed carefully - if you are unsure about any aspect of the installation, please consult a qualified installer.

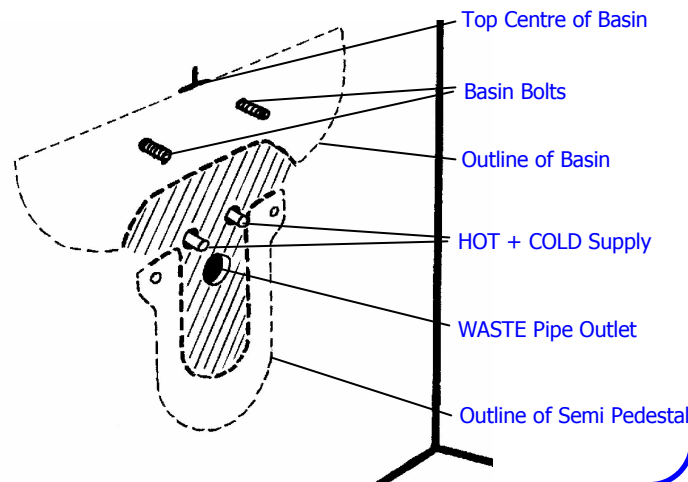
NOTES:

- **Consider and plan the installation of your basin taps and basin waste- pre installing them prior to fixing your basin may be required.**
- **Use wall fixings suitable for your wall construction.**
- **Do not over tighten wall fixings, taps or wastes onto the ceramic.**
- **For Standard pedestal installation- see overleaf.**
- **Use a non permanent marker or pencil for marking.**

Semi Pedestal Installation

NB. Careful planning is required to ensure the HOT and COLD supply and WASTE pipe outlet are contained within the confines of the semi pedestal. The simplest way to establish the necessary positions for all fixings and feeds is as follows:

1. Lay the basin and pedestal, as they would be assembled, on their backs on a large piece of paper on the floor.
2. Using a pencil trace all the way around the outline of both the basin and semi pedestal, including the underside of the basin and inside of the semi pedestal.
3. Carefully mark the centre of the basin on its tapedge and extend this line up onto the paper.
4. Assemble your waste and bottle trap onto the basin and mark the centre line of its outlet on the paper.
5. Transpose this information onto the wall into your desired position in the bathroom. Ensure the information is straight and that the top line of the basin is at the correct height. See diagram below.



6. Rough in the HOT and COLD supply such that they emerge from the wall with in the shaded area on the diagram.

7. Rough in your WASTE pipe outlet with in the shaded area and along the centre line that you previously established.

8. Secure the basin to the wall following the steps 1-11 overleaf.

NB. It may be easier to secure your taps and waste to the basin prior to fixing the basin to the wall.

9. Once the basin is secured to the wall make your HOT and COLD supply and WASTE pipe outlet connections.

10. Place the semi pedestal in position, mark the centres of the 2 x wall fixing holes and secure to the wall. See diagram below.

NB.1 Wall fixings for the semi pedestal are not supplied. Standard wood screws (size 10 x 50mm or above) will suffice. For stud walls screw direct into timber frame. For masonry walls use an appropriate Rawl plug.

NB.2 Use a plastic or rubber washer between the head of the screw and the ceramic. White 'snap caps'- washers with integrated cover caps would be ideal to hide the head of the screw once installed.

