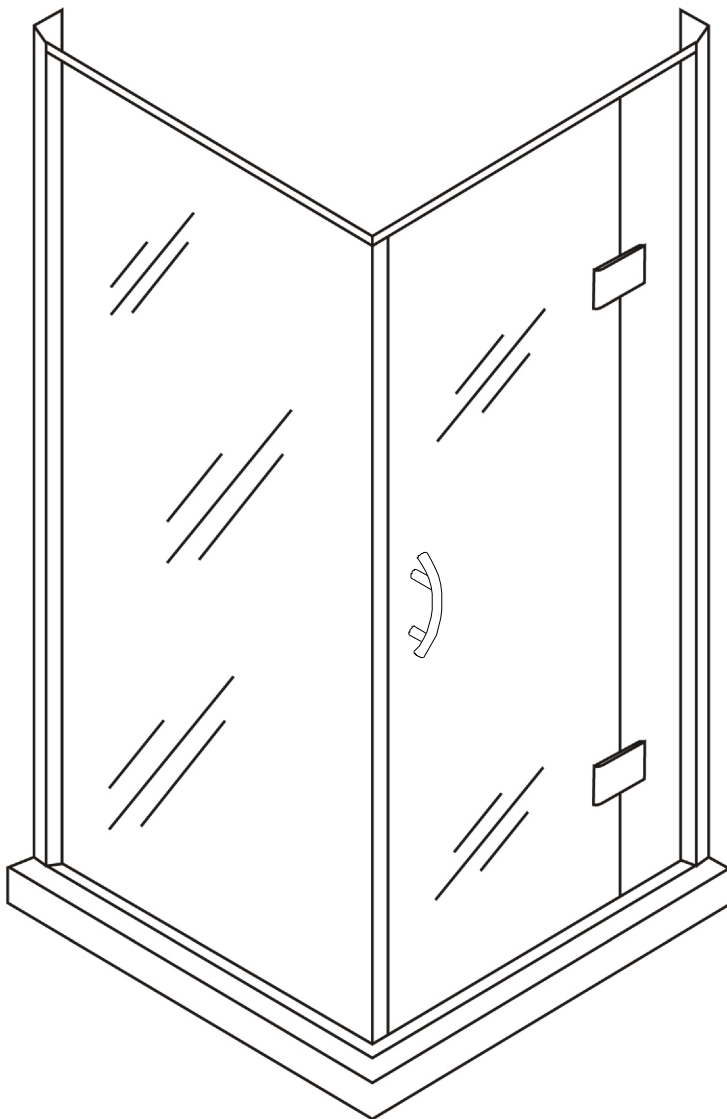


BRISTAN

Java Hinged Door & Side Panel Pack



**Hinged Door & Side
Panel Pack**
800mm x 800mm
Silver
J HCP 800 S

**Hinged Door & Side
Panel Pack**
900mm x 900mm
Silver
J HCP 900 S

Bristan

Birch Coppice Business Park, Dordon, Tamworth, Staffordshire, B78 1SG

Customer Services: 0870 4425553

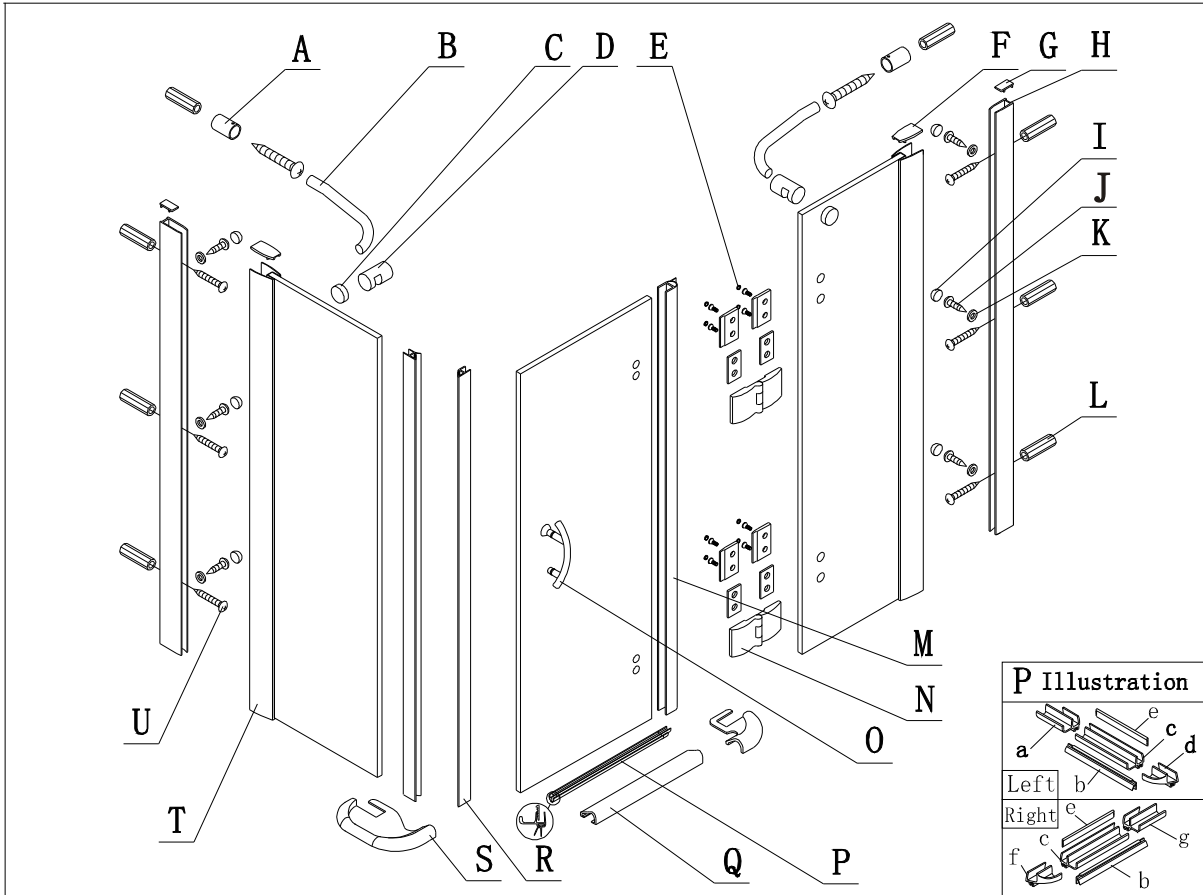
Email: enquire@bristan.com Web: www.bristan.com



installation instructions sheet

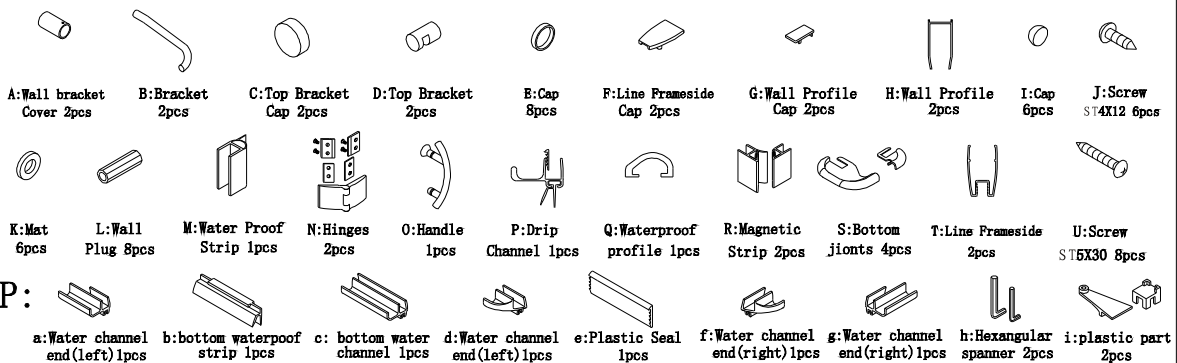
For latest prices and delivery to your door visit MyTub Ltd 0845 303 8383 www.mytub.co.uk

JAVA HINGED DOOR & SIDE PANEL PACK INSTRUCTION MANUAL

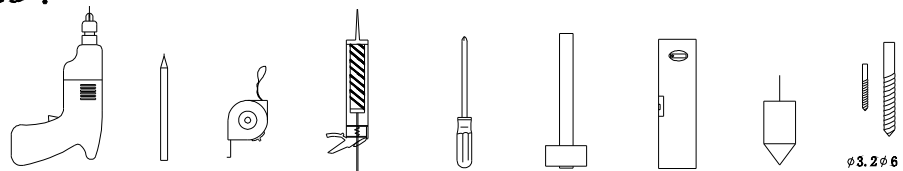


Inspect the contents :

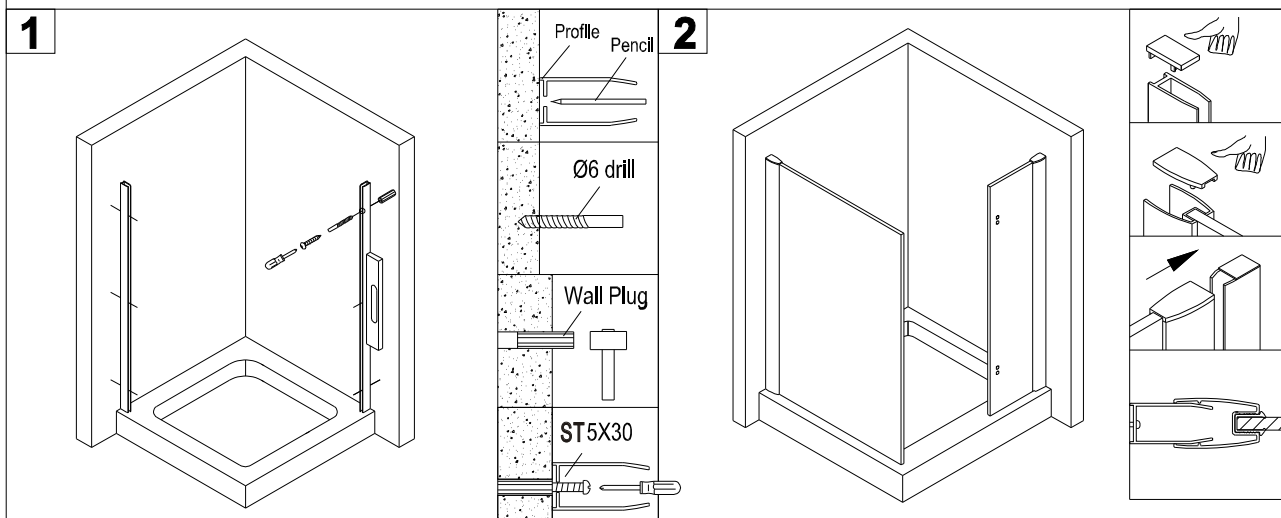
Please read these installation instructions carefully before attempting to install the product. Our showers undergo several quality control checks but should anything be missing or damaged please contact your supplier. Ensure the shower tray is level before beginning.



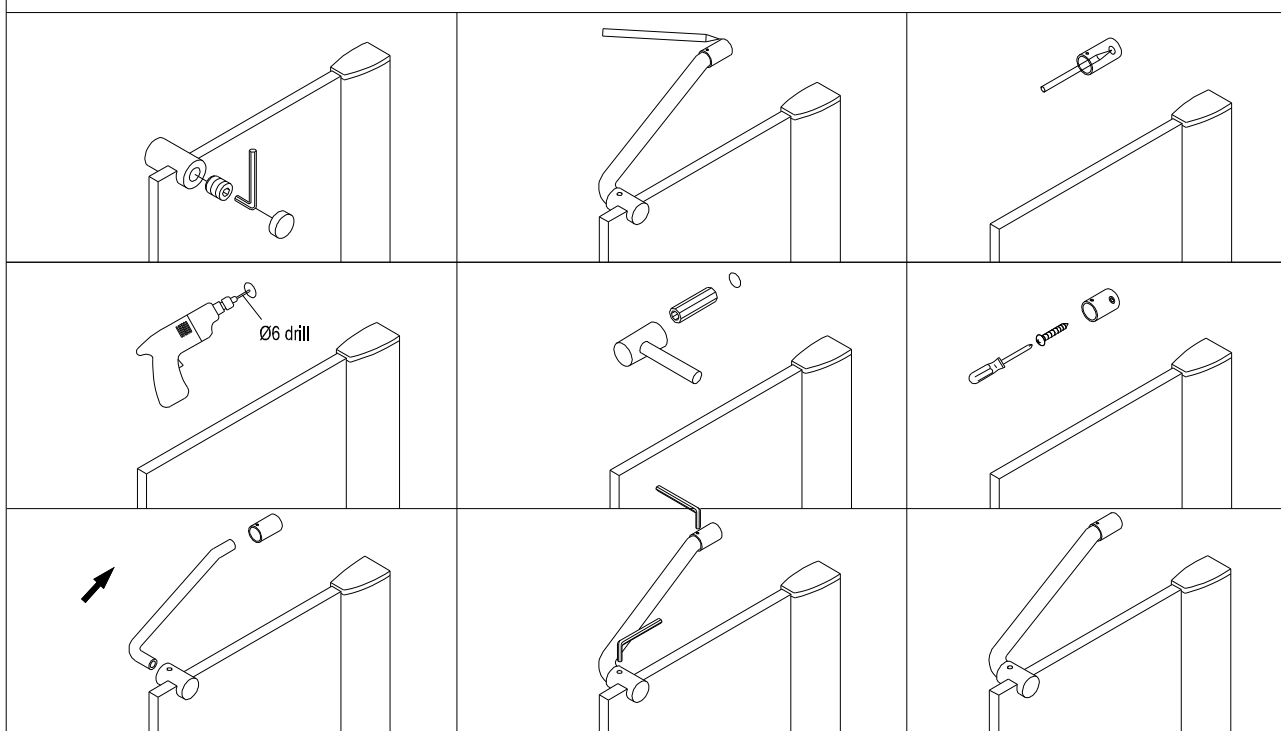
2. Tools required :



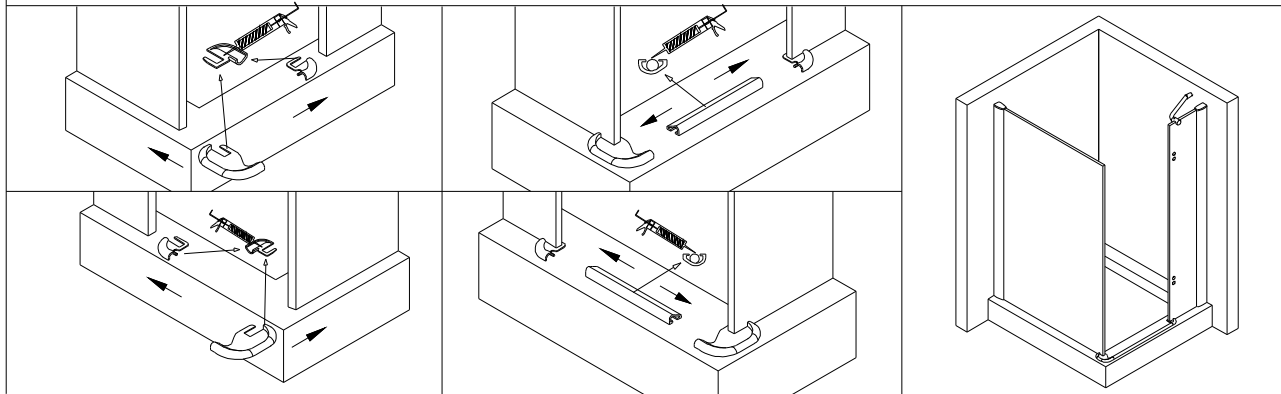
Stage 1 Reversible Panels Assembly :



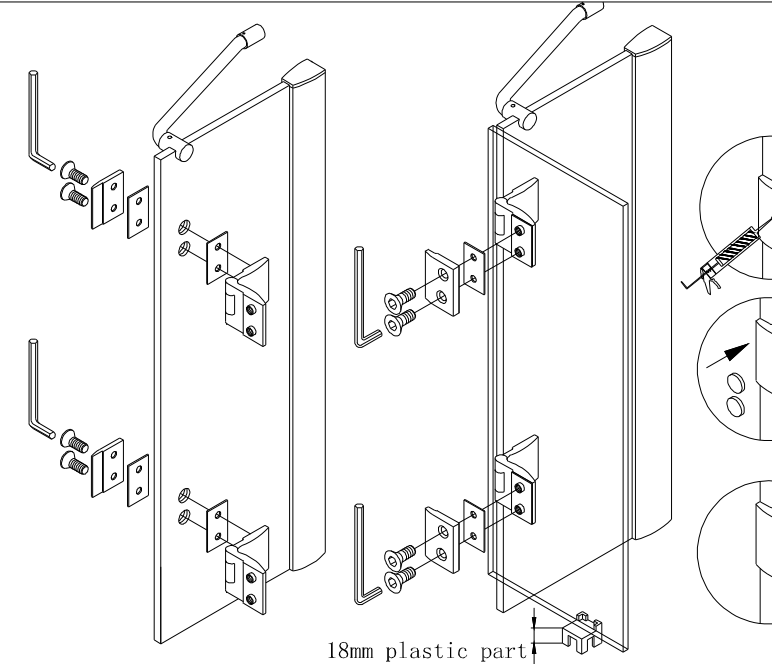
Stage 2 Bracket Assembly : Reverse the end pieces of the bracket as appropriate



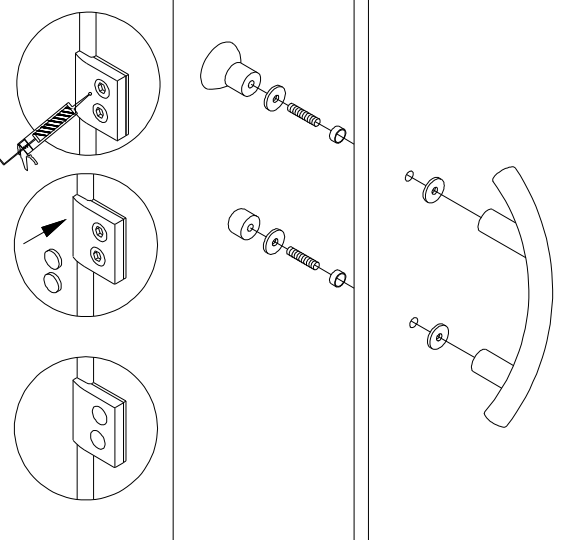
Stage 3 Bottom waterproof strip assembly. Use appropriate reversible end pieces.



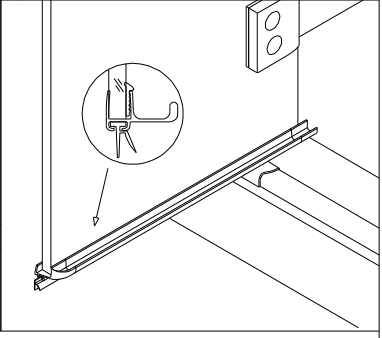
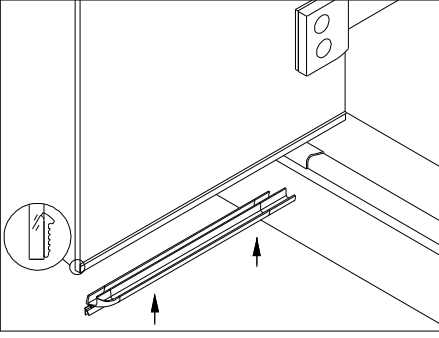
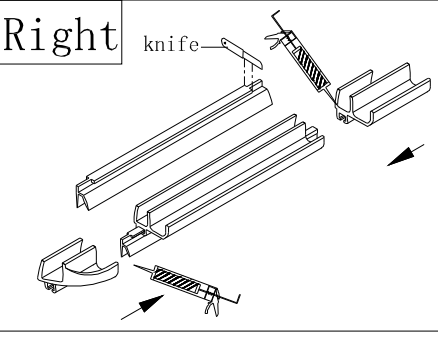
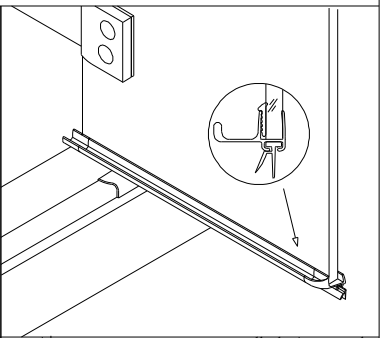
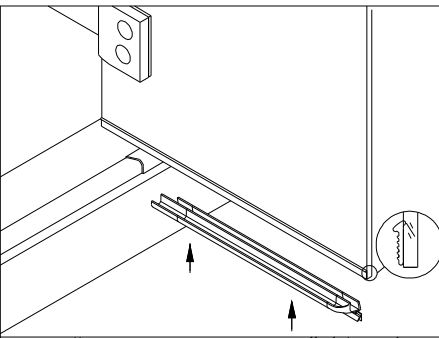
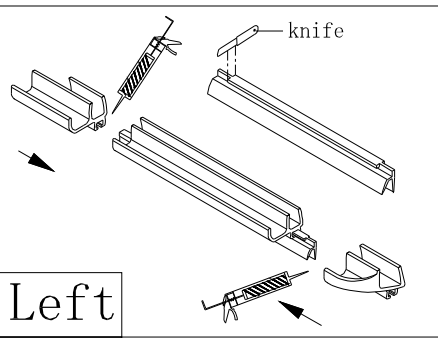
Stage 4 Hinge and door assembly :



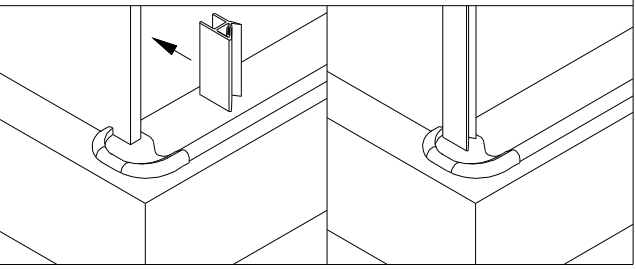
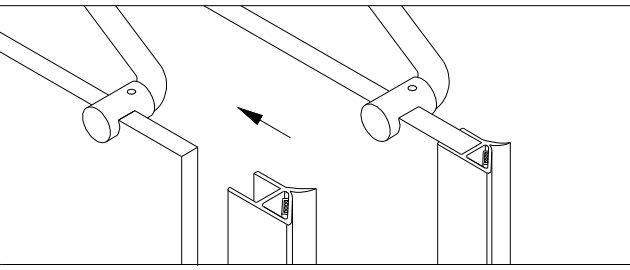
Stage 5 Handle Assembly:

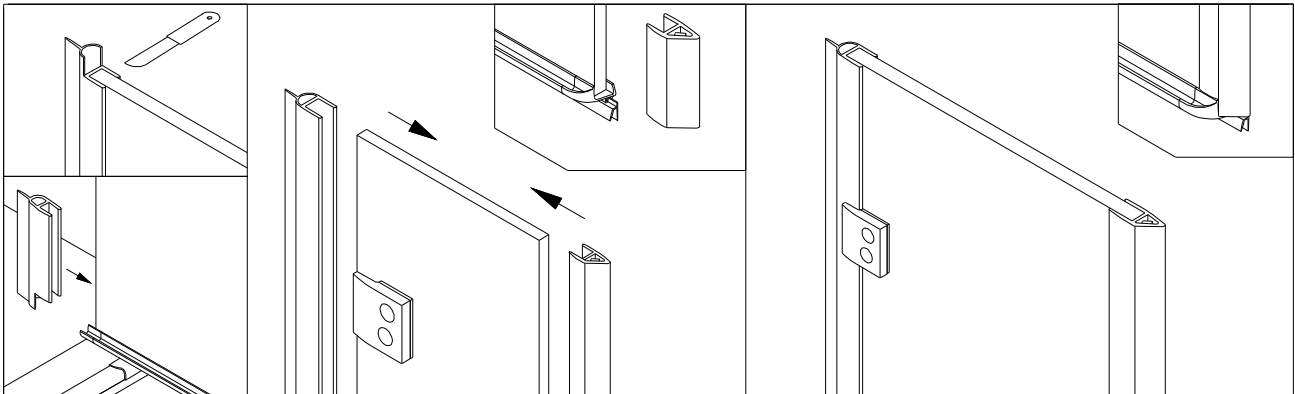


Stage 6 Water Channel Assembly :



Stage 7 Rubber Gasket Assembly :

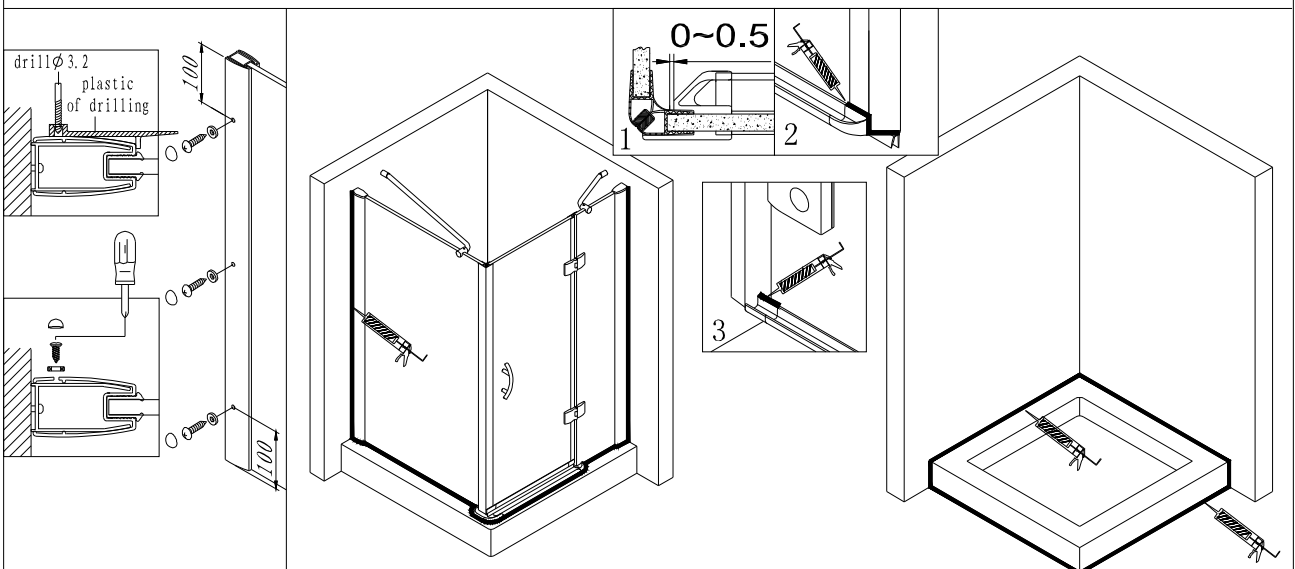




Stage 8 The Other Bracket Assembly : (see Stage 2)

Stage 9 Seal the shower enclosure :

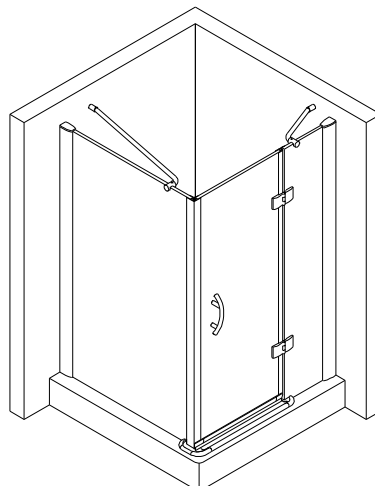
Use a professional grade silicon based sealant as indicated



NOTE: Put a little silicone at the bottom joints for seepage-proof.

Stage 10 Care Instructions :

- Do not use your shower enclosure within 24 hours of assembly .
- Do not use caustic cleaning products or abrasive material when cleaning your shower enclosure .



BRISTAN

If you require any further assistance or information, please ring the Customer Services Helpline on: 0870 4425553.