

## AFTERCARE INSTRUCTIONS

Your fitting has a high quality finish and should be treated with care to preserve the visible surfaces. All surface finishes will wear if not cleaned correctly, the only safe way to clean your waste is to wipe with a soft damp cloth. Stains can be removed using washing up liquid. All bath cleaning powders and liquids will damage the surface of your fitting even the non-scratch cleaners.

## GUARANTEE

All products are manufactured to the highest standards and a 5 year guarantee covers any defect in manufacture.

**NOTE: - The 5 year guarantee on the valves is invalidated if damaged by any waterborne debris.**

In the interests of continuous product development Bristan reserve the right to alter specification as necessary

**PRODUCT CODE: AR SNK C**

**TELEPHONE HELP LINE! +44 (0) 870 4425553**

Bristan Group Limited  
Birch Coppice Business Park  
Dordon  
Tamworth  
Staffordshire  
B78 1SG  
UK  
A Masco Company

Web site: [www.bristan.com](http://www.bristan.com)  
Telephone: +44 (0) 870 4425556  
Facsimile: +44 (0) 870 4425554  
Email: [enquire@bristan.com](mailto:enquire@bristan.com)

(FI AR SNK)

(Rev. D2)

(SM)

## Artisan Sink Mixer

## Fitting Instructions & Contents List

Please keep these instructions for future reference and request of replacement parts.



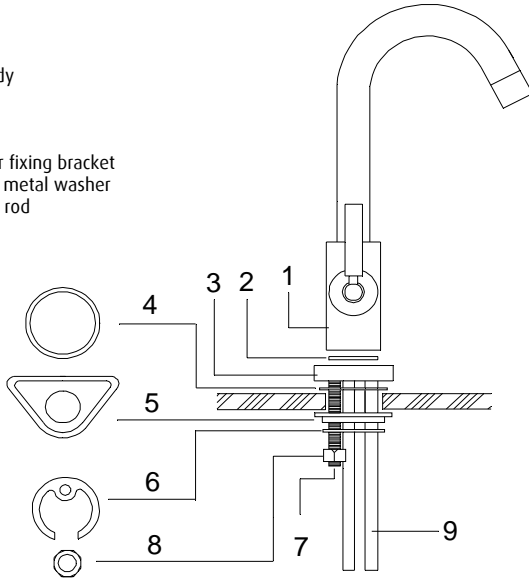
## WATER PRESSURE

This mixer is suitable for use at all supply pressures. However for optimum use both the hot and cold supplies should be reasonably balanced. If the fitting is installed at low pressure (tank fed), then the minimum distance from the outlet of the nozzle to the underside of the cold tank should be approximately 5 metres to ensure adequate performance.

**N.B. This mixer is supplied with a single check valve, which should be used on the hot supply when the mixer is fitted to un-balanced supplies to prevent backflow i.e. Cold from the mains and hot via a hot water cylinder. To comply with Water Regulations a further check valve must be fitted on the cold supply. For further details contact your Local Water Authority.**

## CONTENTS

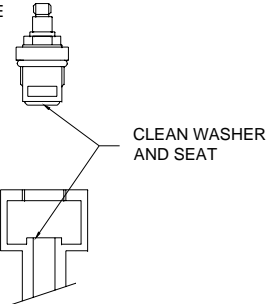
1. Mixer body
2. Washer
3. Plinth
4. Washer
5. Triangular fixing bracket
6. C-shaped metal washer
7. Threaded rod
8. Nut
9. Tail pipes



## INSTALLATION

1. Identify all components and check for completeness, particularly before arranging fitting.
2. Fit the mixer to the sink using the 'C' plate fixing kit. Offer the mixer body (1) onto the sink, with the washer (2) between it and the plinth (3), and washer (4) between the plinth and the sink. The triangular fixing bracket (5) and the metal washer (6) go on the underside of the sink, to be secured by the threaded rod (7) and nut (8).
3. Fit the tail pipes (9) to the fitting and the check valve (supplied) to the hot inlet. Connect the hot and cold supplies.
4. Fully open both valves, letting it run for a few minutes to check all joints and connections for leaks.
5. See over the page for aftercare instructions.

CD VALVE



## MAINTENANCE

If the fitting begins to drip:

1. Turn off the water supply.
2. Loosen grub screw under handle lever (using hexagon key supplied) and remove handle. Unscrew shroud and valve.
3. Carefully clean seating, rubber washer and ceramic disc.
4. Replace valve and handle, then turn on the water supply.
5. If problem persists contact our helpline quoting the product code.

## Please Note: -

**In the unlikely event you find a part missing please contact our Customer Service Help line on +44 (0) 870 4425553 or email [enquire@bristan.com](mailto:enquire@bristan.com) for immediate dispatch of part.**