



AFTERCARE INSTRUCTIONS

Your fitting has a high quality finish and should be treated with care to preserve the visible surfaces.

All surface finishes will wear if not cleaned correctly, the only safe way to clean your riser rail is to wipe with a soft damp cloth. Stains can be removed using washing up liquid. All bath cleaning powders and liquids will damage the surface of your fitting even the non scratch cleaners.

GUARANTEE

All products are manufactured to the highest standards and a 5 year guarantee covers any defect in manufacture.

As gold and special effect finishes are softer than chromium plate, special care must be taken when cleaning; a 3 year guarantee covers these finishes.

PRODUCT NAME:

PRODUCT CODE:

TELEPHONE HELPLINE! +44 (0)870 4425553

Bristan Limited
Lagrange
Lichfield Road Industrial Estate
Tamworth
Staffordshire
B79 7XD
UK

A MASCO COMPANY

Website: www.bristan.com
Telephone: +44 (0)870 4425556
Facsimile: + 44 (0)870 4425554
Email: enquire@bristan.com

(FI N RISE)

(Rev. D2)

(U)

BRISTAN

Fixed Riser Rail



Before starting any installation project, consider "safety" first. Look for the "safety note" sign and read the safety advice.

Fitting Instructions

Please keep these instructions for future reference and request of replacement parts.

WARNING

The **minimum** distance from the wall to the inlet (shower outlet connection on the mixer) is **100 MM**. For other dimensions see Fig 1.

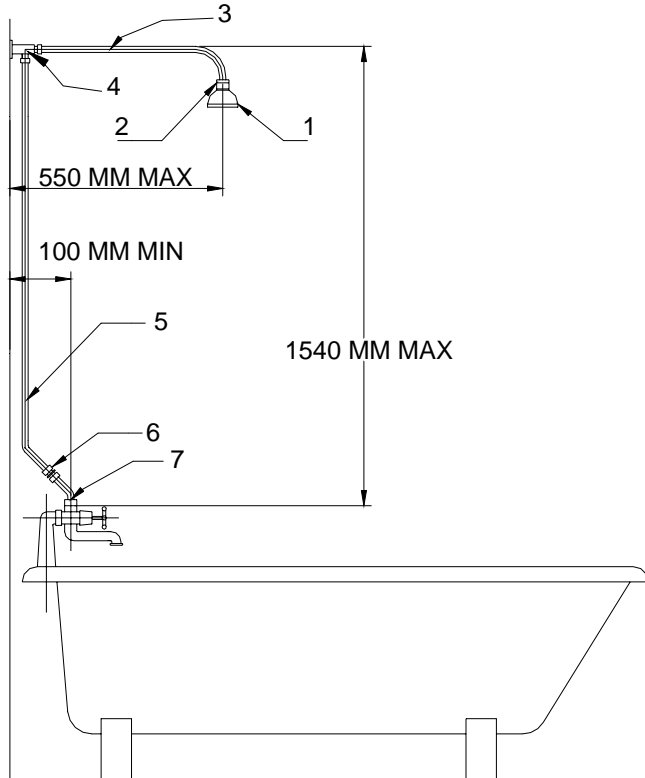


FIG 1. INSTALLATION DIAGRAM

Parts List:

1. 4" Shower Rose
2. Swivel Ball Joint complete with fibre washer
3. Horizontal Shower Arm
4. 90° Connection / wall bracket with Screws (2 of)
5. Vertical Riser
6. Connector
7. Offset Riser & Nut complete with washer

INSTALLATION

N.B. Before Installation, please write the name and product code of your fitting in the spaces provided overleaf. This will ensure a speedier service if you should need to phone the help line.

1. Identify all components and check for completeness, particularly before arranging installation.



2. Trim the pipe section lengths, to suit the installation. The trimming of the offset riser pipe will enable the inlet distance to be adjusted to suit the mixer. It is important that the pipe ends are cut square. In order to minimize the risk of damaging the pipe, during cutting, wrap them in a cloth material: hold them firmly and cut with a sharp, fine toothed hacksaw or pip cutter.
3. Connect the offset riser to the bath shower mixer with the washer provided.
4. Connect the lower bend of the vertical riser to the offset riser using the straight connector and secure to the wall using the 90° connector / wall bracket with the screws provided.
5. Connect the horizontal shower arm to the 90° connector / wall bracket, fit the ball joint to the shower arm, and the shower rose to the ball joint.
6. Check all joints and connections for leaks.
7. See over the page for aftercare instructions.