



For latest prices and delivery to your door visit MyTub Ltd 0845 303 8383 www.mytub.co.uk

### AFTERCARE INSTRUCTIONS

Your fitting has a high quality finish and should be treated with care to preserve the visible surfaces.

All surface finishes will wear if not cleaned correctly, the only safe way to clean your mixer is to wipe with a soft damp cloth. Stains can be removed using washing up liquid. All bath cleaning powders and liquids will damage the surface of your fitting, even the non-scratch cleaners.

### GUARANTEE

All products are manufactured to the highest standards and a 5 year guarantee covers any defect in manufacture.

As gold and special effect finishes are softer than chromium plate, special care must be taken when cleaning, a 3 year guarantee covers these finishes.

In the interests of continuous product development we reserve the right to alter specification as necessary

**PRODUCT CODE: CL PL2HBF C**

**TELEPHONE HELP LINE! 0870 4425553**

Bristan Limited  
Lagrange  
Lichfield Road Industrial Estate  
Tamworth  
Staffordshire  
B79 7XD  
UK

Web Site: [www.bristan.com](http://www.bristan.com)  
Telephone: 0870 4425556  
Facsimile: 0870 4425554  
Email: [enquire@bristan.com](mailto:enquire@bristan.com)  
(FI CL PL2HBF)

(Rev. D1)

(MZ)

# BRISTAN

## Chill 2 Hole Bath Filler Mounting Plate



## Fitting Instructions & Contents List

Please keep these instructions for future reference and request of replacement part

## WATER PRESSURE

Refer to 2 Hole Bath Filler instructions for details.

## INSTALLATION

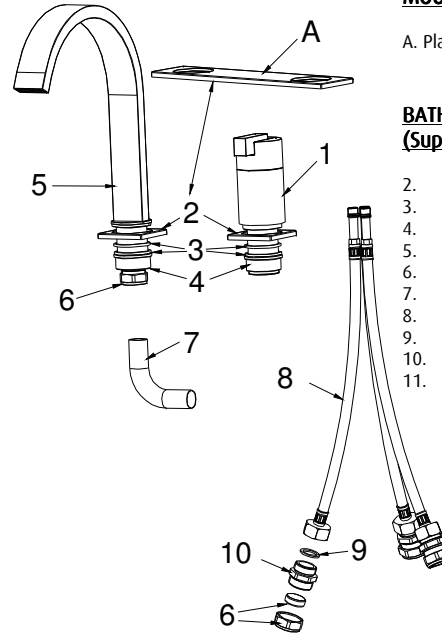
1. Identify all components and check for completeness, particularly before arranging fitting.
2. Mounting plate (A) is intended to replace the plinths (2) in the 2 Hole Bath Filler pack.

**NOTE:** - Mounting plate (A) has fixed centres of 180mm and is intended to be mounted to a flat surface. If mounting directly on a bath, ensure centres are correct and surface is flat.

3. If required, drill 2 x Ø38mm holes at 180mm centres through mounting surface.
4. Place mounting plate (A) on the surface in required position with 2 x washers (3) between plate and surface.
5. Fit the mixer body (1) through the plate using a washer (3) and nut (4) provided.
6. Fit the spout (5) through the plate using a washer (3) and nut (4) provided.
7. Fit angled 22mm pipe (7) to the spout, securing using a ¾" nut and olive (6).
8. Fit 1 of the flexible hoses (8) to the mixer (the hole at the rear), and connect to the angled 22mm pipe using a ¾" nut and olive.
9. Fit the 2 remaining flexible hoses (8) to the mixer and connect the hot and cold supplies using the ¾" nut and olives (6).
10. Fully open the mixer letting it run for a few minutes, check all joints and connections for leaks.

11. See over the page for aftercare instructions.

## INSTALLATION DIAGRAM



## MOUNTING PLATE CONTENTS:

A. Plate (x1)

## BATH FILLER CONTENTS (Supplied separately):

2.	Mixer Body	(x1)
3.	Plinth	(x2)
4.	Foam washer	(x3)
5.	Nut	(x2)
6.	Spout	(x1)
7.	¾" Compression nut + olive	(x3)
8.	Angled 22mm pipe	(x1)
9.	Flexible hose	(x3)
10.	¾" Washer	(x3)
11.	¾" - 22mm connector	(x3)

## Please Note: -

In the unlikely event you find a part missing please contact our Customer Service Help line on 0870 4425553 or email [enquire@bristan.com](mailto:enquire@bristan.com) for immediate despatch of part.