



For latest prices and delivery to your door visit MyTub Ltd 0845 303 8383 www.mytub.co.uk

AFTERCARE INSTRUCTIONS

Your fitting has a high quality finish and should be treated with care to preserve the visible surfaces.

All surface finishes will wear if not cleaned correctly, the only safe way to clean your mixer is to wipe with a soft damp cloth. Stains can be removed using washing up liquid. All bath cleaning powders and liquids will damage the surface of your fitting, even the non-scratch cleaners.

GUARANTEE

All products are manufactured to the highest standards and a 5 year guarantee covers any defect in manufacture.

As gold and special effect finishes are softer than chromium plate, special care must be taken when cleaning, a 3 year guarantee covers these finishes.

In the interests of continuous product development we reserve the right to alter specification as necessary

PRODUCT CODE: CL PL2HBAS C

TELEPHONE HELP LINE! 0870 4425553

Bristan Limited
Lagrange
Lichfield Road Industrial Estate
Tamworth
Staffordshire
B79 7XD
UK

Web Site: www.bristan.com
Telephone: 0870 4425556
Facsimile: 0870 4425554
Email: enquire@bristan.com

(FI CL PL2HBAS) (Rev. D1)

(MZ)



**Chill 2 Hole Basin
Mixer Mounting Plate**



**Fitting Instructions
& Contents List**

Please keep these instructions for future reference and request of replacement part

WATER PRESSURE

Refer to 2 Hole Basin Mixer instructions for details.

INSTALLATION

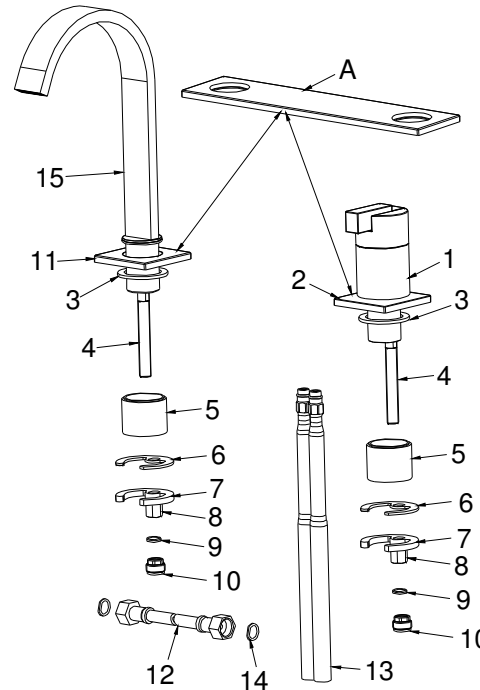
1. Identify all components and check for completeness, particularly before arranging fitting.
2. Mounting plate (A) is intended to replace the body plinth (2) and spout plinth (11) in the 2 Hole Basin Mixer pack.

NOTE: - Mounting plate (A) has fixed centres of 200mm and is intended to be mounted to a flat surface. If mounting directly on a basin, ensure centres are correct and surface is flat.

3. If required, drill 2 x Ø30mm holes at 200mm centres through mounting surface.
4. Place mounting plate (A) on the surface in required position with washers (3) between plate and surface.
5. Fit the mixer body (1) through the plate using the spacer (5), rubber and metal 'C' washers (6,7), and secure with nut (8) provided.
6. Fit the spout (15) through the plate using the spacer (5), rubber and metal 'C' washers (6,7), and secure with nut (8) provided.
7. Screw the two adaptors (10) to the threaded studs (4) ensuring washers (9) are in place,
8. Connect the flexible hose (12) to the two adaptors (10) to link the mixer and spout, ensure washers (14) provided are used.
9. Fit the tail pipes (13) to the mixer and connect the hot and cold supplies. DO NOT OVERTIGHTEN. Soft copper tails can be carefully bent and cut to length to meet supply pipes.
10. Fully open the mixer letting it run for a few minutes, check all joints and connections for leaks.

11. See over the page for aftercare instructions.

INSTALLATION DIAGRAM



MOUNTING PLATE CONTENTS:

A. Plate (X1)

BASIN MIXER CONTENTS (Supplied separately):

1.	Mixer Body	(x1)
2.	Body plinth	(x1)
3.	Foam washer	(x2)
4.	Threaded stud	(x2)
5.	Plastic spacer	(x2)
6.	Rubber 'C' Washer	(x2)
7.	Metal 'C' Washer	(x2)
8.	Nut	(x2)
9.	Small washer	(x2)
10.	Adaptor	(x2)
11.	Spout plinth	(x1)
12.	Flexible hose	(x1)
13.	Inlet pipe	(x2)
14.	Small Washer	(x2)
15.	Spout	(x1)

Please Note: -

In the unlikely event you find a part missing please contact our Customer Service Help line on 0870 4425553 or email enquire@bristan.com for immediate despatch of part.