

AFTERCARE INSTRUCTIONS

Your fitting has a high quality finish and should be treated with care to preserve the visible surfaces. All surface finishes will wear if not cleaned correctly, the only safe way to clean your waste is to wipe with a soft damp cloth. Stains can be removed using washing up liquid. All bath cleaning powders and liquids will damage the surface of your fitting even the non-scratch cleaners.

GUARANTEE

All products are manufactured to the highest standards and a 5 year guarantee covers any defect in manufacture.

NOTE: The 5 year guarantee is invalidated if damaged by any waterborne debris.

In the interests of continuous product development Bristan reserve the right to alter specification as necessary.

PRODUCT CODE: RV SNK C

TELEPHONE HELPLINE: 0844 701 6273

Bristan Group Ltd
Birch Coppice Business Park
Dordon
Tamworth
Staffordshire
B78 1SG
UK
A Masco Company

Web Site: www.bristan.com
Telephone: 0844 701 6273
Facsimile: 0844 701 6275
Email: enquire@bristan.com

BRISTAN

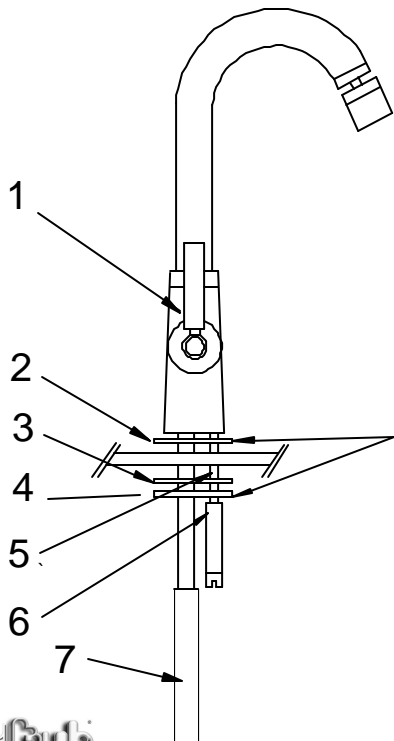
Revolve Sink Mixer

Fitting Instructions & Contents List

Please keep these instructions for future reference and request of replacement parts.

WATER PRESSURE

This mixer is suitable for use at all supply pressures. However for optimum use both the hot and cold supplies should be reasonably balanced. If the fitting is installed at low pressure (tank fed), then the minimum distance from the outlet of the nozzle to the underside of the cold tank should be approximately 2 metres to ensure adequate performance. This mixer should be installed in compliance with Water Regulations.



CONTENTS

1. Mixer body
2. O-ring
3. O-ring
4. C-shaped washer metal
5. Threaded rod
6. Retainer
7. Tail pipes

'C' PLATE
FIXING KIT

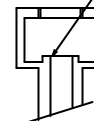
INSTALLATION

1. Identify all components and check for completeness, particularly before arranging fitting.
2. Fit the mixer to the sink using the 'C' plate fixing kit. The plinth (2) and an O-ring (3) go between the fitting and the sink, and an O ring (4) and the metal washer (5) on the underside of the sink, to be secured by the threaded rod (6) and retainer (7).
3. Fit the tail pipes (8). Connect the hot and cold supplies.
4. Fully open both valves, letting it run for a few minutes to check all joints and connections for leaks.
5. See over the page for aftercare instructions.

CD VALVE



CLEAN WASHER
AND SEAT



MAINTENANCE

If the fitting begins to drip:

1. Turn off the water supply.
2. Loosen grub screw under handle lever and remove handle. Unscrew shroud and valve.
3. Carefully clean seating, rubber washer and ceramic disc.
4. Replace valve and handle, then turn on the water supply.
5. If problem persists contact our helpline quoting the product code.

Please Note: In the unlikely event you find a part missing please contact our Customer Service Help line on 0844 701 6273 or email enquire@bristan.com for immediate dispatch of part.