

Bristan recommend E-Cloth for cleaning all of our bathroom & kitchen products. Using just water, E-cloth gives a smear free, deep clean by breaking up and holding dirt, which normal cloths leave behind. Order through your Bristan stockist. (ORDER CODE: ECLOTH)



# BRISTAN

## **GUARANTEE**

All products are manufactured to the highest standards and a 5 year guarantee covers any defect in manufacture.

**All products must have access for servicing or replacement during the life of the product.**

In the interests of continuous product development we reserve the right to alter specification as necessary

**THIS BOOKLET COVERS PRODUCT CODES:**

**FHC ABRD01 C  
FHC ABSQ01 C**

## **200mm Round/Square Fixed Shower Head**

## **Fitting Instructions**

TELEPHONE HELPLINE: 0844 701 6273

Bristan Group Limited  
Birch Coppice Business Park  
Dordon  
Tamworth  
Staffordshire  
B78 1SG  
UK

A Masco Company

Website: [www.bristan.com](http://www.bristan.com)  
Telephone: 0844 701 6274  
Facsimile: 0844 701 6275  
Email: [enquire@bristan.com](mailto:enquire@bristan.com)

(FI FHC AB)

(REV D1)

For latest prices and delivery to your door visit MyTub Ltd - [www.mytub.co.uk](http://www.mytub.co.uk) - [info@mytub.co.uk](mailto:info@mytub.co.uk)

**Please keep these instructions for future reference.**



This shower rose is intended to be used in conjunction with other products, such as a shower arm and valve.

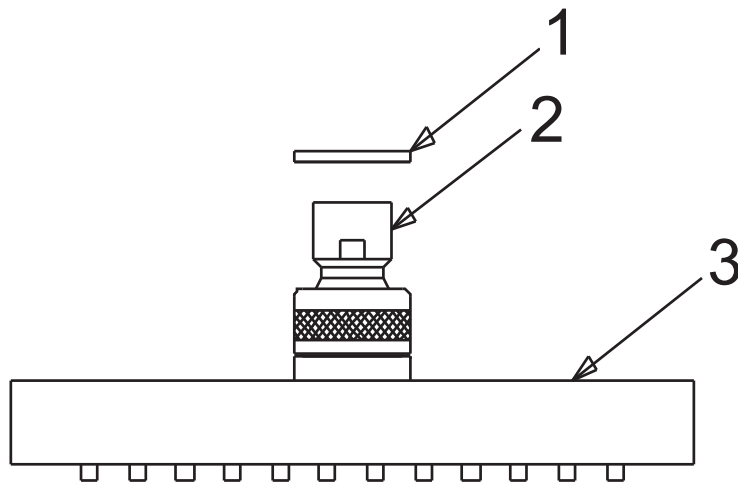
## INSTALLATION

This shower head should be arranged in your system with a supply of pre-mixed water from a shower valve.

This product is designed to be fitted to shower arms with a male 1/2" BSP thread. If replacing a shower head, simply unscrew from the shower arm and replace. The shower head comes with a swivel joint, so the head can be positioned as desired.

Tighten by hand ONLY. Check joint and connections for any leaks, if this occurs check the condition of the washer. Replace if necessary or reseal correctly then re-tighten.

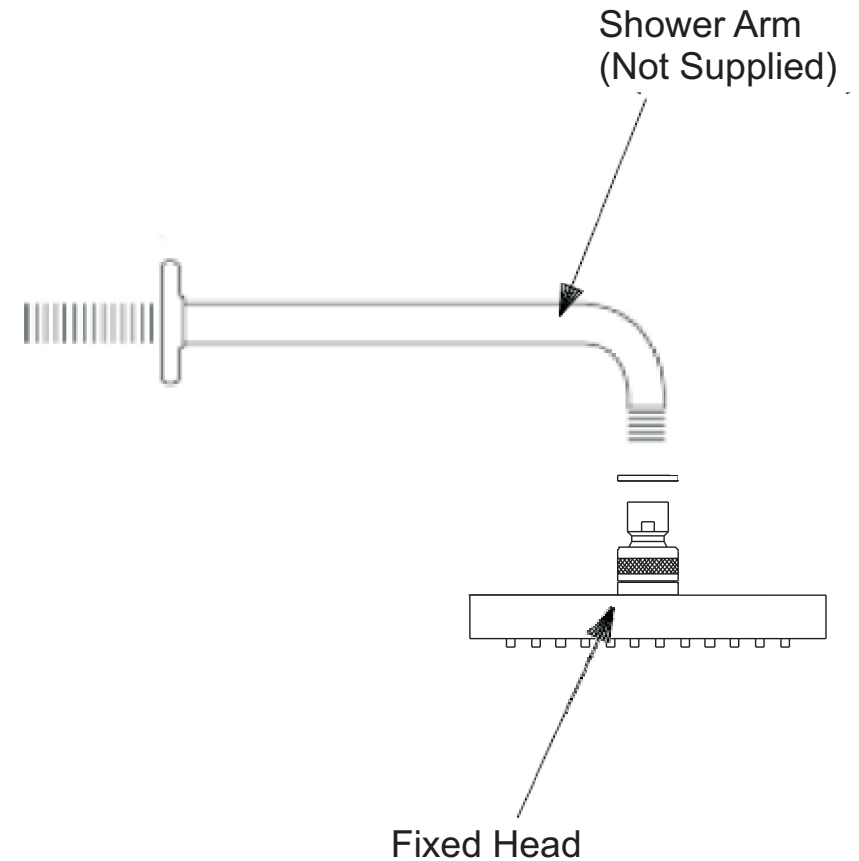
In order to maintain optimum spray, we advise that the shower rose face plate be regularly cleaned, particularly in hard water areas.



### CONTENTS:

- |                  |      |
|------------------|------|
| 1. Swivel        | (x1) |
| 2. Rubber Washer | (x1) |
| 3. Shower Rose   | (x1) |

## INSTALLATION DIAGRAM



## AFTERCARE INSTRUCTIONS

Your fitting has a high quality finish and should be treated with care to preserve the visible surfaces.

All surface finishes will wear if not cleaned correctly, the only safe way to clean your mixer is to wipe with a soft damp cloth. Stains can be removed using washing up liquid. All bath cleaning powders and liquids will damage the surface of your fitting, even the non-scratch cleaners.

**NOTE: Never use abrasive detergents or disinfectants or those containing alcohol, hydrochloric acid or phosphoric acid.**