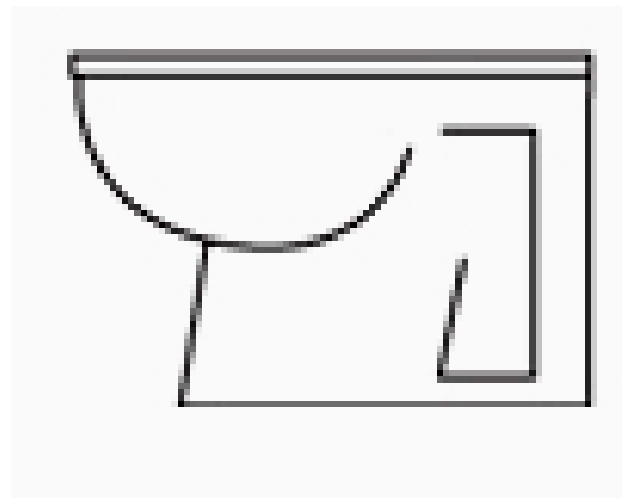
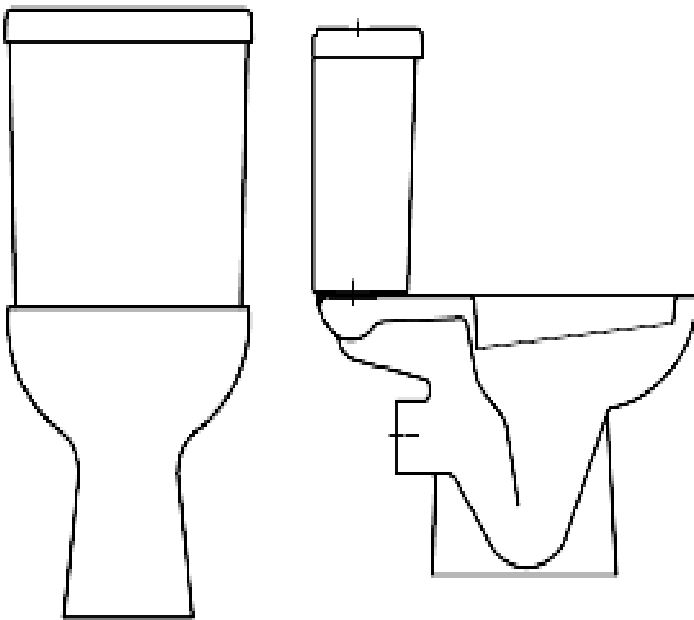


BRISTAN

Close Coupled & BTW WC'S

Installation Instructions & User Guide




Contents

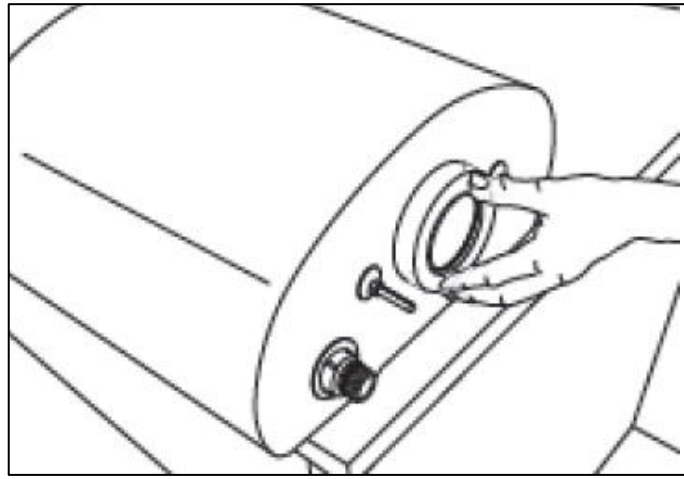
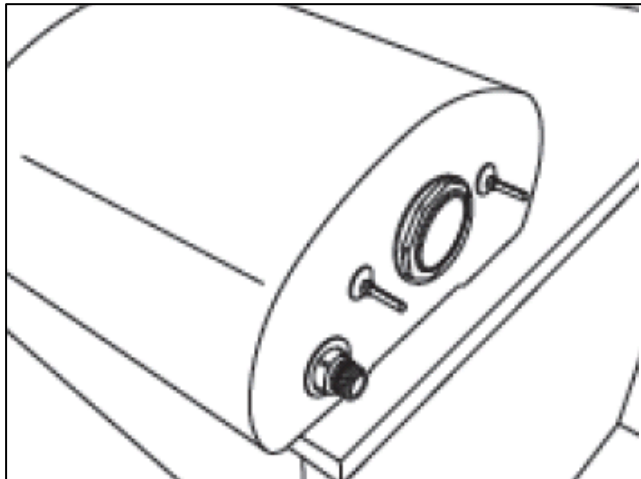
Thank you for choosing Bristan, the UK's leading taps and showers expert. We have designed this product with your enjoyment in mind. To ensure that it works to its full potential, it needs to be fitted correctly. These fitting instructions have been created to give you all of the information you need and, if you need any further help, please do not hesitate to give us a call on 0844 701 6273.

Important Safety Information	03
Installation	04 – 09
Maintenance	10
Guarantee	11

Important Safety Information

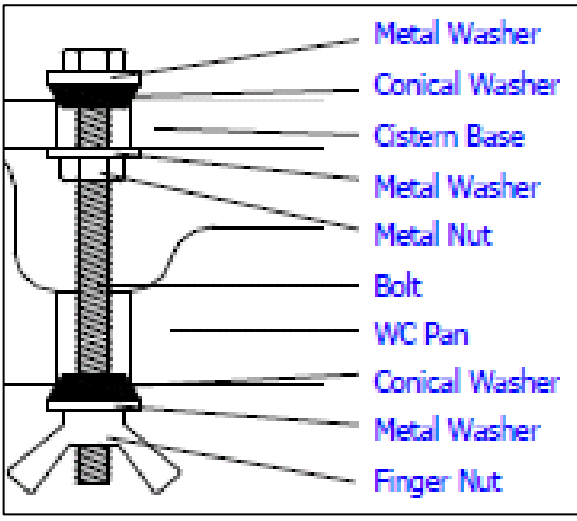
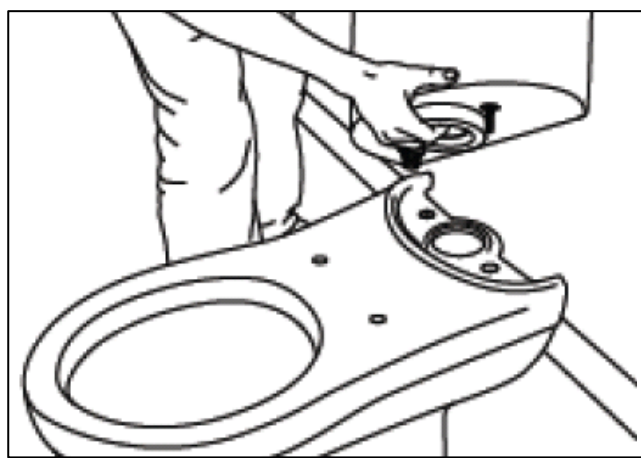
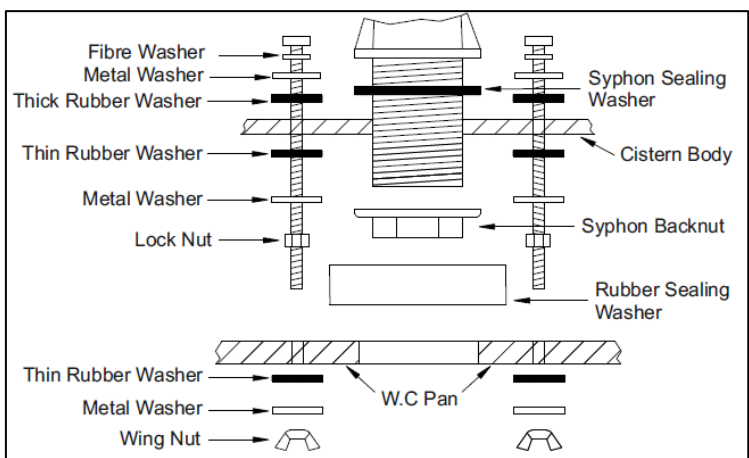
- Please read these instructions thoroughly and retain for future use.
- All products manufactured and supplied by Bristan are safe provided they are installed correctly, used correctly and receive regular maintenance in accordance with these instructions.
- If you are in any doubt about your ability to install this product safely you must employ the services of an experienced qualified plumber.
- Remove all packaging and check the components for damage before starting installation.
-  Before starting any installation please consider the following: Prior to drilling into walls, check that there are no hidden electrical wires, cables or water supply pipes. This can be checked with the aid of an electronic detector.
- If power tools are used do not forget to:
 - Wear eye protection
 - Unplug equipment after use
- This product **must** not be modified in any way as this will invalidate the guarantee.

Close Coupled Installation.



1. Position the cistern on its back to allow fitting of the base coupling fittings. Fit the close coupling bolts from the inside of the cistern with the washers assembled as per the diagrams 1 & 2. (The actual kits vary depending on whether it is a lever or push button operated flushing system).

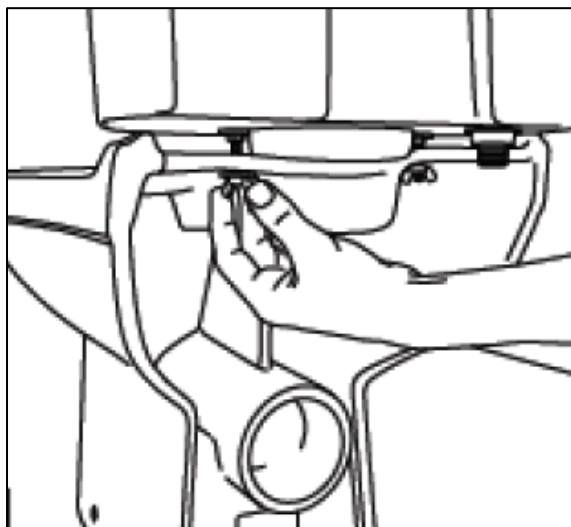
2. Locate the large foam seal and place this over the plastic cistern outlet positioned in the centre. The foam seal should fit flush with the cistern base.



3. Position the cistern body onto the close-coupled pan. The two threaded bars should fit smoothly through the two corresponding holes on the cistern platform of the pan.



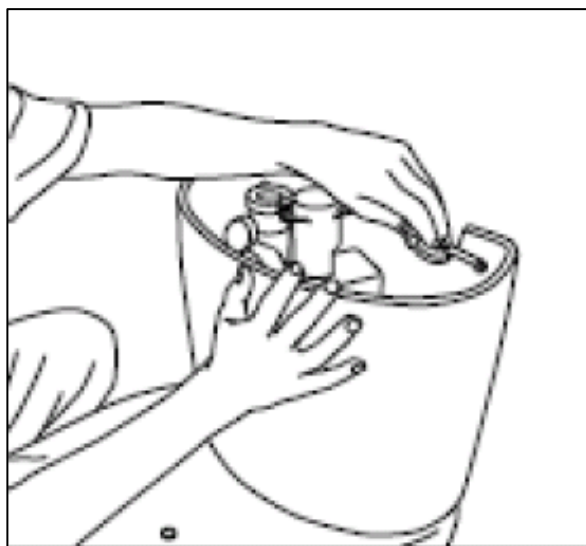
4. Gently lower the cistern body into place, keeping it supported to prevent it falling.



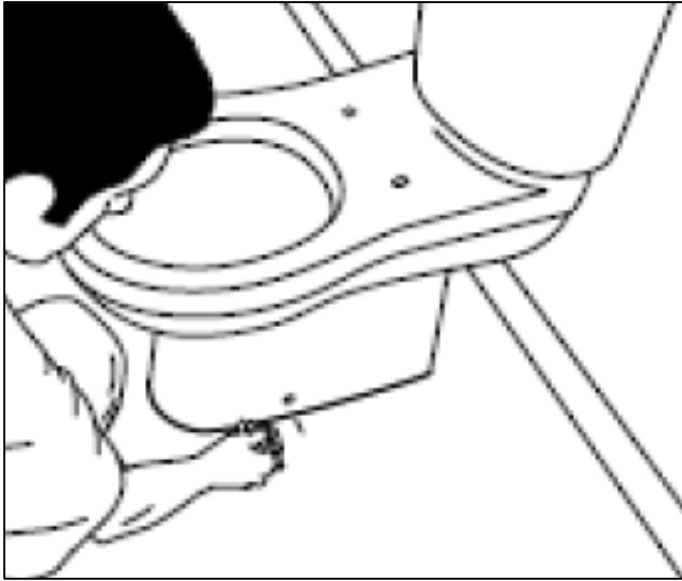
5. Fit the washers and wing nuts to the underside of the cistern and tighten to finger tight.



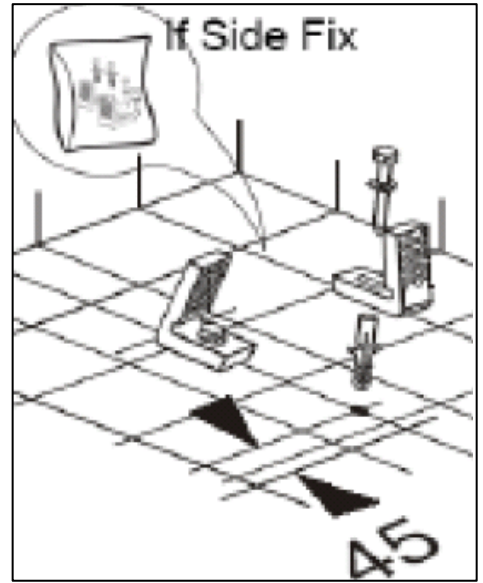
6. Position the close coupled pan in the desired location against the wall and align with the water supply and outlet connections.



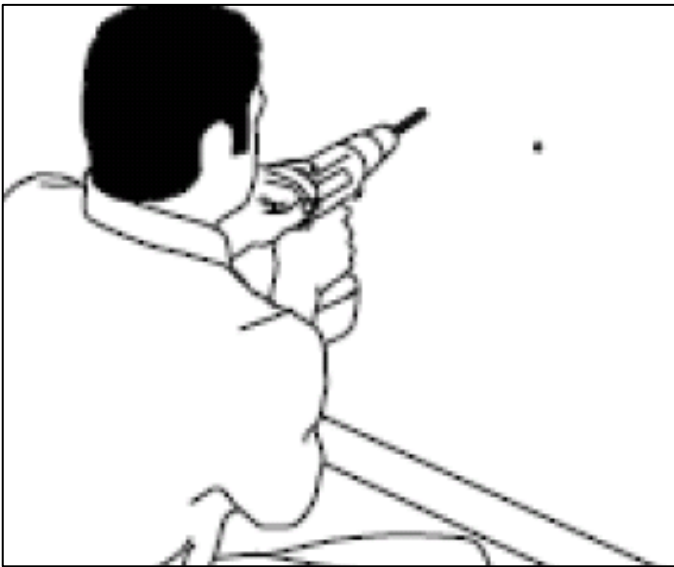
7. Check that the cistern is level and mark the position of the holes for the cistern fixing screws.



8. Draw a line around the base of the pan to clearly mark the final Position, and mark the position of the screw holes or proceed to Step 9 if side foot fixing hole fixings are used.



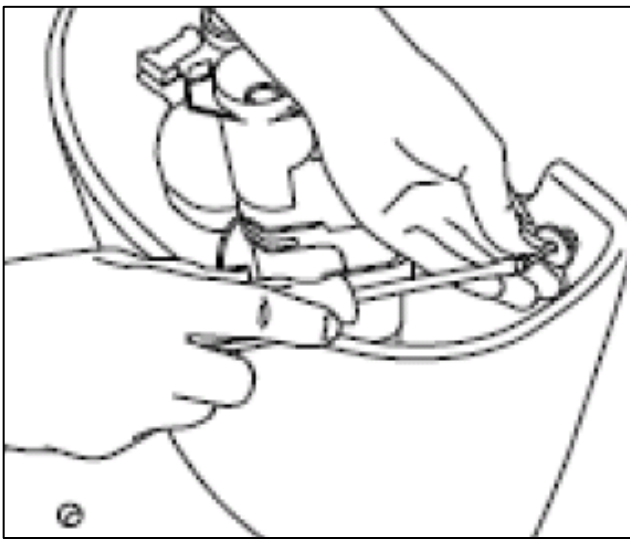
9. Having marked the position of the hole, mark the centre of the side foot bracket hole on the floor on both sides. Drill the floor and tap in the plastic plugs, or drill holes for the foot screw depending on the floor fixing type.



10. Drill the wall on the marks where the cistern is to be fitted to the wall.

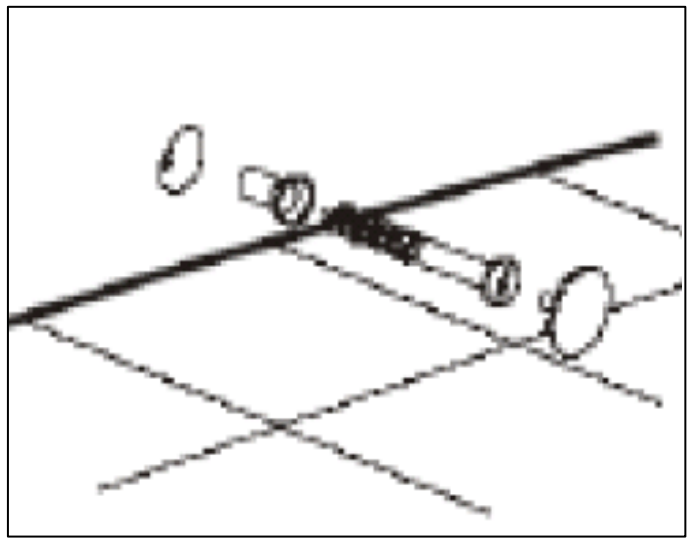


11. Return the pan to the desired location, make the plumbing connections and ensure that they are water tight. We recommend that this process is always carried out by a professional plumber/installer. Ensure the water supply pipe is free from dirt by flushing water through if before connecting to the cistern inlet valve.



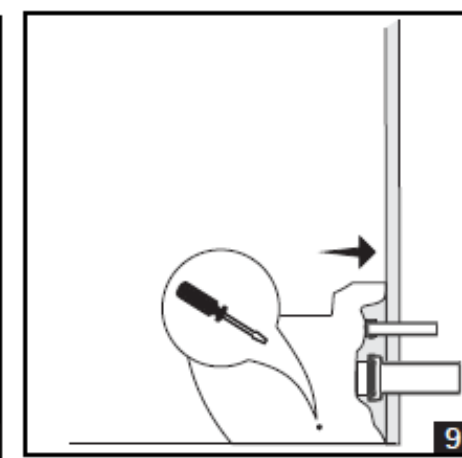
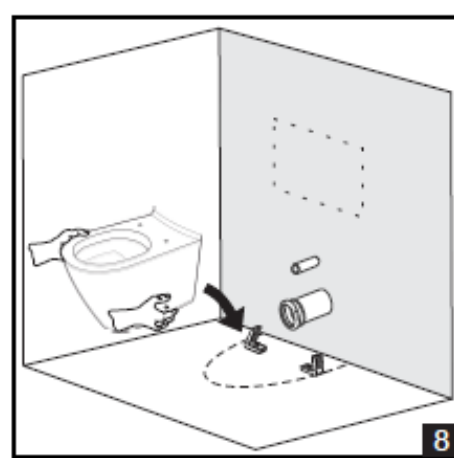
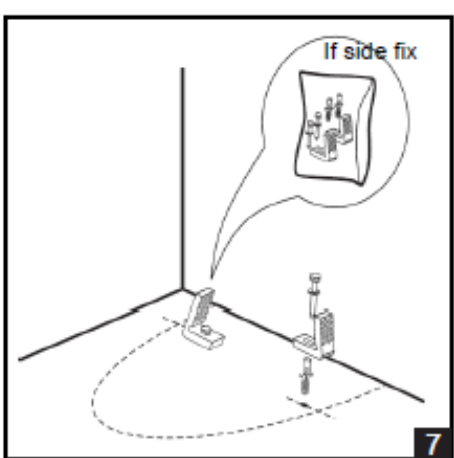
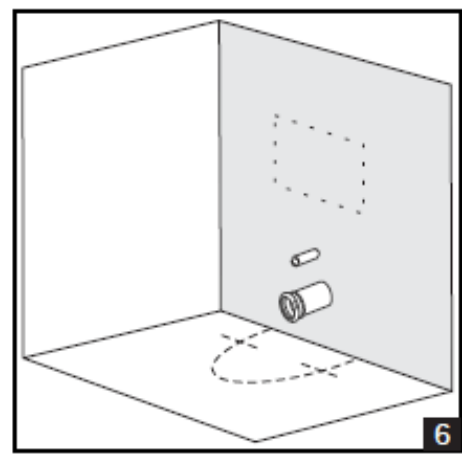
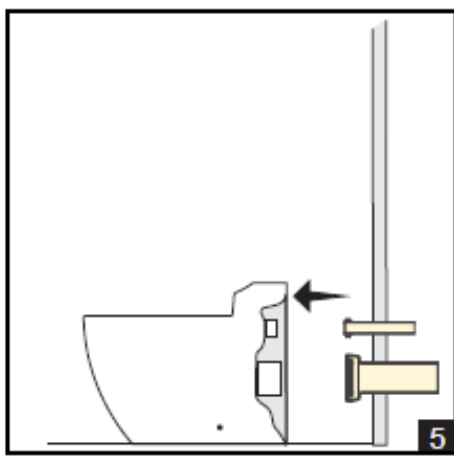
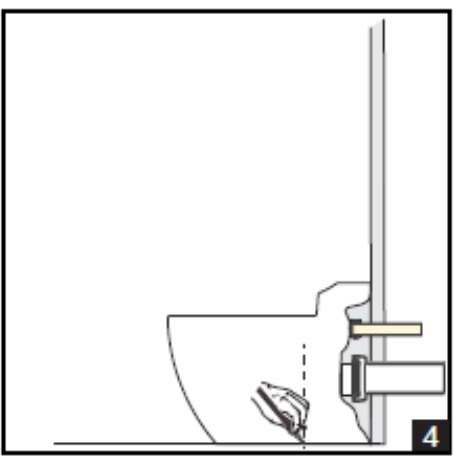
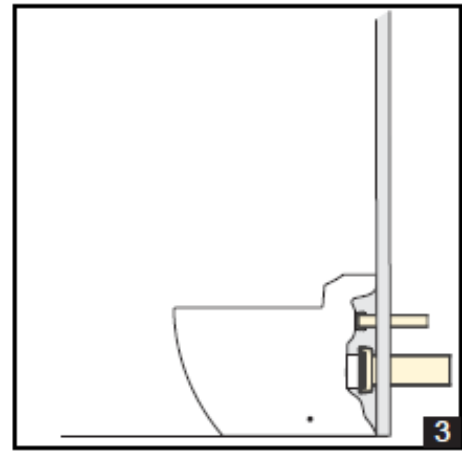
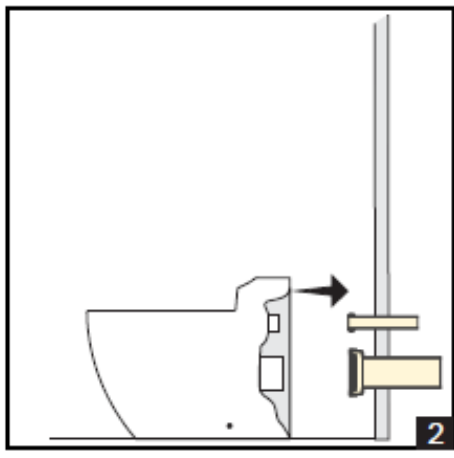
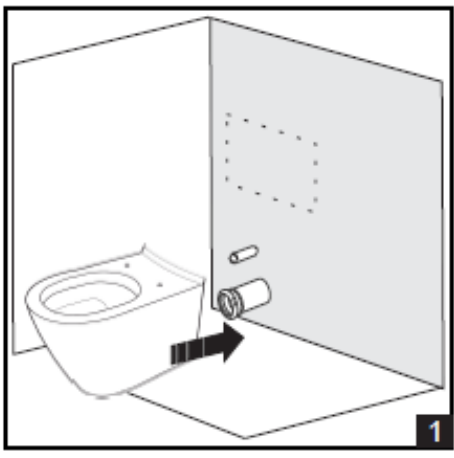
12. Fix the cistern to the wall with screws and washers (not supplied). Ensure that the cistern is not pulled backwards, as the seal with the pan may be broken.

14. Fit the lever or pushbutton as per instructions given in cistern fittings instructions, and fit the lid on the cistern.



13. Fit the bracket screw and attach the screw cover caps for side fixing or secure the pan to the floor with appropriate fixings.

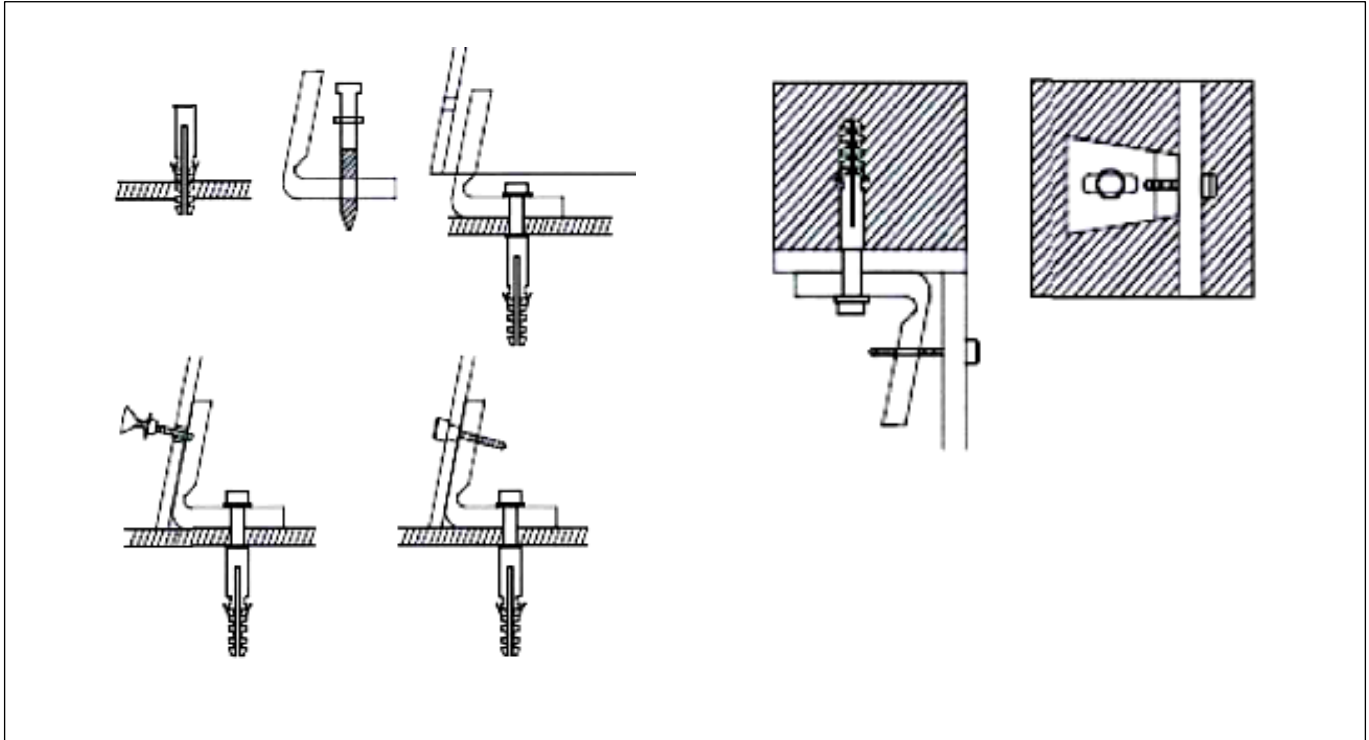
Back to wall Installation.



If not side fixing – use appropriate foot fixing (NOT SUPPLIED).

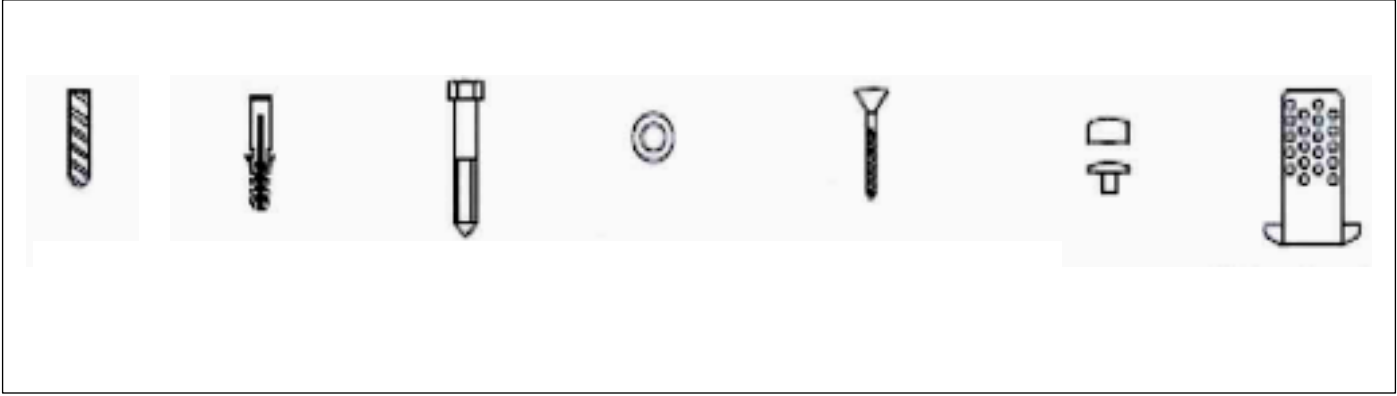
Caution: Care should be taken when drilling into walls and floors to avoid any sunken wires or pipes. The fixings supplied with this pack are suitable for solid walls only. Plasterboard or stud walls may require specialist fixing (NOT SUPPLIED).

Horizontal Floor & BTW Pan Fixing



WC.

1. Place the WC into position and mark the position of the screw holes and the outer edge of the WC foot.
2. Secure the brackets using the hexagonal head screws and washers, the plastic plugs are for use when fixing to concrete or ceramic tiled floors.
3. Replace the WC into position and secure using countersunk.



Drill Ø10mm	Plastic Plugs S10 2-Off	Hexagonal head screws 6x50mm 2-Off	Washers 2-Off	Countersunk head screws 5x50mm 2-Off	Cap covers & bushes 2-Off	Fixing brackets 2-Off
----------------	----------------------------	--	------------------	--	------------------------------	-----------------------------

General Cleaning

Your fitting has a high quality finish and should be treated with care to preserve the visible surfaces. All finishes will wear if not cleaned correctly. The only safe way to clean your product is to wipe with a soft damp cloth. Stains can be removed using washing up liquid. All bathroom cleaning products (powders and liquids) will damage the surface of your fitting, even the non-scratch cleaners.

Note: Never use abrasive detergents or disinfectants or those containing alcohol, hydrochloric acid or phosphoric acid.



Bristan recommend E-cloth for cleaning all of our bathroom & kitchen products. Using just water, E-cloth gives a smear free, deep clean by breaking up and holding dirt, which normal cloths leave behind. Order through your Bristan stockist (order code: ECLOTH).

Guarantee & Registration

Sanitaryware

5 year parts only. All subject to proof of purchase.

This guarantee applies to products purchased within the United Kingdom or Republic of Ireland, but does not apply to products used commercially.

The guarantee is only available to original purchasers who have proof of purchase.

The installation must allow ready access to all products for the purpose of inspection, maintenance or replacement.

Any part found to be defective during the above guarantee period will be replaced without charge, providing that the product has been installed in accordance with the instructions, used as intended, and regularly serviced.

In the unlikely event that any problems are encountered with the product's performance on installation, you must obtain guidance/authorisation from our Customer Service Department, and be able to supply proof and date of purchase, before any remedial action is taken.

The guarantee excludes general wear and tear and damage caused by accident, misuse or neglect, and does not cover the following:

- Damage caused by faulty installation
- Damage caused by lime scale or any waterborne debris
- Damage caused by inappropriate cleaning products (see user instructions)
- Damage caused by the use of non-original parts
- The product being used for a purpose other than intended by the manufacturer.

In the interests of continuous product improvement Bristan reserves the right to alter specification as necessary.



Guarantee

BRISTAN

This booklet covers product codes

Close Coupled WC's

BTW WC's

Helpline

0844 701 6273

Bristan Group Limited

Birch Coppice Business Park, Dordon, Tamworth, Staffordshire B78 1SG

A Masco Company

Website: www.bristan.com

Telephone: 0844 7016 274 Facsimile: 0844 701 6275

Email: enquire@bristan.com