

# BRISTAN

Dune Single Ended Bath with and without Grips

**Installation Instructions & User Guide**



**Please keep these instructions for future reference and request of replacement parts**


For latest prices and delivery to your door visit MyTub Ltd - [www.mytub.co.uk](http://www.mytub.co.uk) - [info@mytub.co.uk](mailto:info@mytub.co.uk)

## Contents

Thank you for choosing Bristan, the UK's leading taps and showers expert. We have designed this product with your enjoyment in mind. To ensure that it works to its full potential, it needs to be fitted correctly. These fitting instructions have been created to give you all of the information you need and, if you need any further help, please do not hesitate to give us a call on 0844 701 6273.

Important Safety Information	03
Installation	04 – 06
Maintenance	07
Guarantee	07

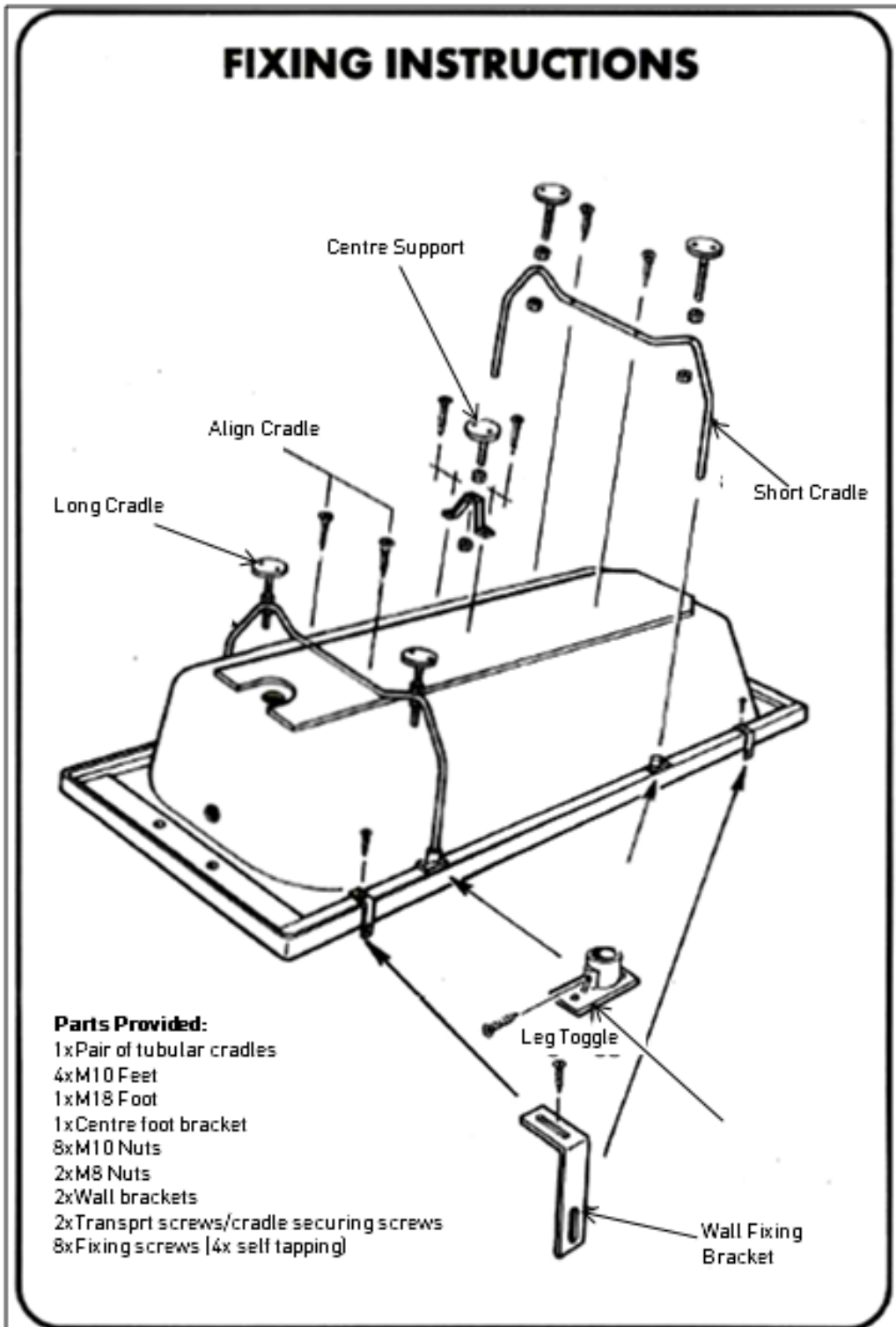
## Important Safety Information

- Please read these instructions thoroughly and retain for future use.
- All products manufactured and supplied by Bristan are safe provided they are installed correctly, used correctly and receive regular maintenance in accordance with these instructions.
- If you are in any doubt about your ability to install this product safely you must employ the services of an experienced qualified plumber.
- Remove all packaging and film and check the components for damage before starting installation.
-  Before starting any installation please consider the following: Prior to drilling into walls, check that there are no hidden electrical wires, cables or water supply pipes. This can be checked with the aid of an electronic detector.
- If power tools are used do not forget to:
  - Wear eye protection
  - Unplug equipment after use
- This product **must** not be modified in any way as this will invalidate the guarantee.

Bath installation instructions.

**Please Note:**

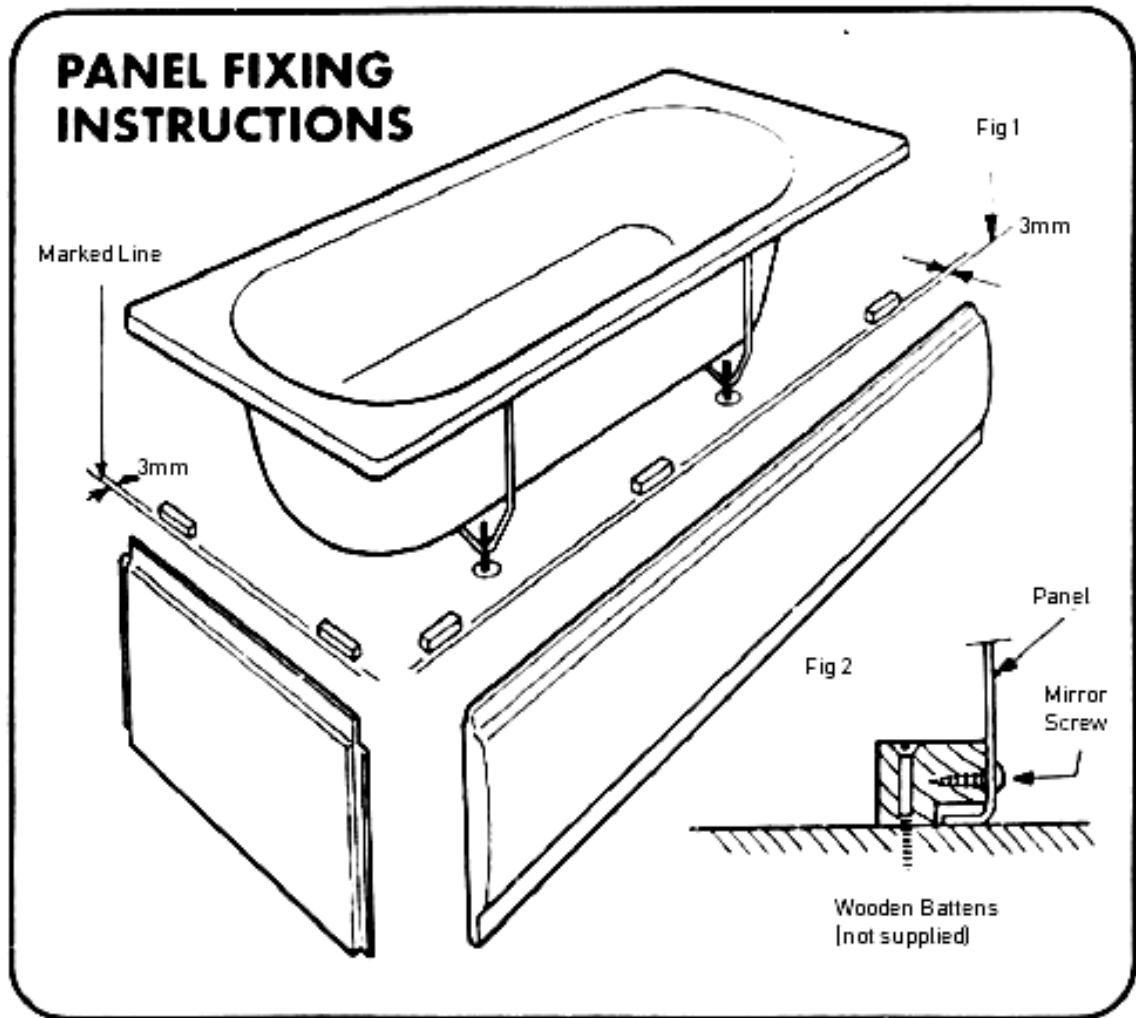
- Before fixing any bath or panel remove all packaging and film and examine carefully. The polythene film must be removed in full and the bath checked for any visible damage.
- Check that colour match is acceptable to the sanitaryware and panel.
- Any re-fixing costs or claims for wrong colour match and/or any other faults will not be accepted **AFTER INSTALLATION.**



## Attention!

### REMOVE FILM PRIOR TO FITTING

1. Please note prior to fitting your bath carefully remove all the packaging and film from the bath and examine the bath for damage and suitability of colour match.
2. Check the panel fit and match prior to installation,
3. **No claims for the above will be accepted once the bath is fitted.**
4. Remove all the packaging including the polyethylene film which covers the entire bath.
5. Check that the colour match is acceptable and that there is no damage on the bath that may have occurred prior to installation.
6. Remove the two tubular cradle legs from the bath frame. The longest fits at the waste end ( keep the screws for instruction 4).
- 6a. If the bath you have has the waste and overflow in the middle, the legs will be the same length and as such can be secured at either end of the bath.
7. Fit the cradle legs into the toggles and secure with the self tapping screws provided. Now align the cradle and screw directly into the baseboard with the 32mm (1 & 1/4") screws from instruction 3. **YOU MUST CHECK THE SCREW LENGTH!** – Should the bath have an 'H' frame fitted to the baseboard align and secure the cradle to it.
8. If the bath you are fitting has the waste and overflow in the middle the baseboard will not be visible. It has been encapsulated within GRP during the manufacturing process.
9. Secure the adjustable centre support using the screws provided to the centre of the baseboard (or H frame). Attach the centre foot with the nuts provided.
10. Secure the wall brackets to the bath frame using the screws provided approximately 150mm from each end.
11. With the bath in the upright position the set top level using threaded adjustment of feet and lock-nuts. When a panel is to be fitted set bath height to depth of panel (**see panel fixing instructions**)
12. Before final fixing of the bath, fit the tap and waste fitting using a suitable sealing compound. When completed fit the bath into position and secure the legs to the floor.
13. Ensure the wall brackets are securely fixed to the wall. Movement may occur if not fitted correctly.



1. Should the cutting of panels be necessary (due to water pipes or skirting boards) a small fine toothed saw or sharp knife is recommended.
2. Fit both panels in position, locate top flanges of the panels between the bath frame and rim of the bath.
3. Ensure that both panels are set vertical and that the end panel is located behind the front panel centre joint.
4. To secure the panel to the wall use a piece of timber secured to the wall vertically. For the floor we recommend some rebated blocks set equal distances apart.
5. Small mirror screws can be used to secure the panel against the timber. Alternatively Velcro or magnetic strips will secure in a neat fashion.

## Guarantee

### Acrylic Baths

5 year parts only, all subject to proof of purchase.

This guarantee applies to products purchased within the United Kingdom or Republic of Ireland, but does not apply to products used commercially.

The guarantee is only available to original purchasers who have proof of purchase.

The installation must allow ready access to all products for the purpose of inspection, maintenance or replacement.

Any part found to be defective during the above guarantee period will be replaced without charge, providing that the product has been installed in accordance with the instructions, used as intended, and regularly serviced.

Servicing should be carried out at regular intervals of no more than 12 months and more frequently in hard water areas (heavy lime scale) areas.

In the unlikely event that any problems are encountered with the product's performance on installation, you must obtain guidance/authorisation from our Customer Service Department, and be able to supply proof and date of purchase, before any remedial action is taken.

The guarantee excludes general wear and tear and damage caused by accident, misuse or neglect, and does not cover the following:

- Components that are subject to general wear and tear such as filters, seals, 'O' rings and washers etc.
- Impact related damage.
- Damage caused by faulty installation
- Damage caused by lime scale or any waterborne debris
- Damage caused by inappropriate cleaning products (see user instructions)
- Damage caused by the use of non-Bristan parts
- The product being used for a purpose other than intended by the manufacturer.

In the interests of continuous product improvement Bristan reserves the right to alter specification as necessary.



**Guarantee**

## General Cleaning

Your fitting has a high quality finish and should be treated with care to preserve the visible surfaces. All finishes will wear if not cleaned correctly. The only safe way to clean your product is to wipe with a soft damp cloth. Stains can be removed using washing up liquid. All bathroom cleaning products (powders and liquids) will damage the surface of your fitting, even the non-scratch cleaners.

**Note:** Never use abrasive detergents or disinfectants or those containing alcohol, hydrochloric acid or phosphoric acid.



Bristan recommend E-cloth for cleaning all of our bathroom & kitchen products. Using just water, E-cloth gives a smear free, deep clean by breaking up and holding dirt, which normal cloths leave behind. Order through your Bristan stockist (order code: E-CLOTH).

# BRISTAN

This booklet covers product codes

DN AB 170X70 GRSE BTH W

DN AB 170X70 SE BTH W

**Helpline**

**0844 701 6273**

Bristan Group Limited

Birch Coppice Business Park, Dordon, Tamworth, Staffordshire B78 1SG

A Masco Company

Website: [www.bristan.com](http://www.bristan.com)

Telephone: 0844 7016 274      Facsimile: 0844 701 6275

Email: [enquire@bristan.com](mailto:enquire@bristan.com)

FI (DN AB 170X70 GRSE BTH W – DN AB 170X70 SE BTH W C) – REV. D3

For latest prices and delivery to your door visit MyTub Ltd - [www.mytub.co.uk](http://www.mytub.co.uk) - [info@mytub.co.uk](mailto:info@mytub.co.uk)