

BRISTAN

Basin & Pedestal/Semi Pedestal


Installation Instructions & User Guide

Contents

Thank you for choosing Bristan, the UK's leading taps and showers expert. We have designed this product with your enjoyment in mind. To ensure that it works to its full potential, it needs to be fitted correctly. These fitting instructions have been created to give you all of the information you need and, if you need any further help, please do not hesitate to give us a call on 0844 701 6273.

Important Safety Information	03
Installation	04 – 09
Maintenance	10
Guarantee	11

Important Safety Information

- Please read these instructions thoroughly and retain for future use.
- All products manufactured and supplied by Bristan are safe provided they are installed correctly, used correctly and receive regular maintenance in accordance with these instructions.
- If you are in any doubt about your ability to install this product safely you must employ the services of an experienced qualified plumber.
- Remove all packaging and check the components for damage before starting installation.
-  Before starting any installation please consider the following: Prior to drilling into walls, check that there are no hidden electrical wires, cables or water supply pipes. This can be checked with the aid of an electronic detector.
- If power tools are used do not forget to:
 - Wear eye protection
 - Unplug equipment after use
- This product **must** not be modified in any way as this will invalidate the guarantee.

Basin Fitting Instructions for: **Basin & Pedestal/Semi Pedestal**

Please ensure these instructions are followed carefully - if you are unsure about any aspect of the installation, please consult a qualified installer.

NOTES

- Consider and plan the installation of your basin taps and basin waste-pre installing them prior to fixing your basin may be required.
- Use wall fixings suitable for your wall construction.
- Do not over tighten wall fixings, taps or wastes onto ceramic surfaces
- For Semi - pedestal installation - see overleaf
- Use a non permanent marker or pencil for marking.

Standard Pedestal Installation



1. Place the basin on the pedestal and move into the required position in your bathroom.
2. Ensure the basin is correctly positioned on the pedestal. Ensure it is level and its back is in full contact with the wall.
3. Carefully mark the centre of the basin on its tap ledge and extend this line up where it meets the wall.
4. Carefully mark a horizontal line on the wall above the back edge of the basin.
5. Remove the basin leaving a mark on the wall in the shape of an inverted 'T'.

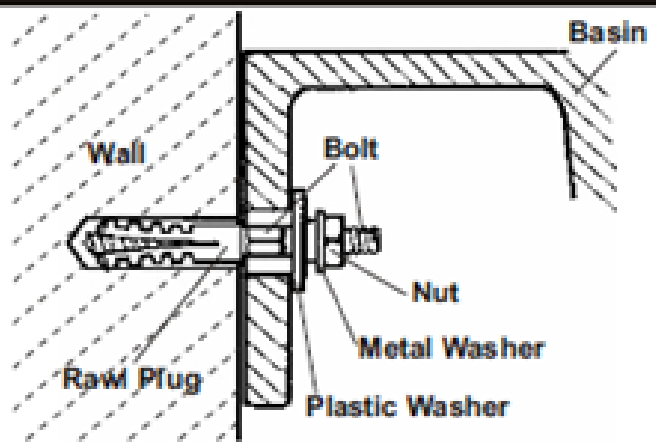
Mark position of the bolt/screw holes with a pencil

The basin is secured to the wall using either screws or a bolt hole fixing kit (Not Supplied with every basin).

Where bolt hole fixing system is used.

N.B. The bolt assembly is not supplied.

Please use suitable fixings to take the weight of the product and for the type on wall it is been installed onto.

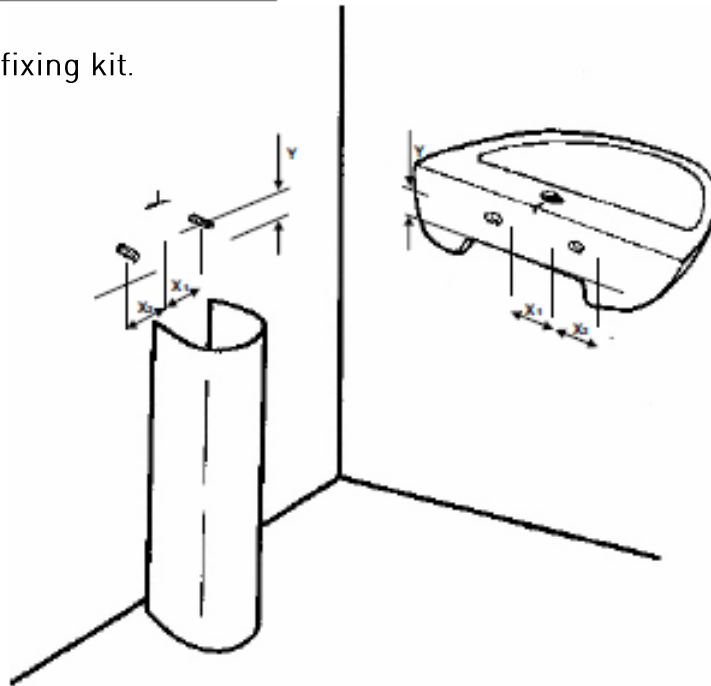


N.B. On
Some basins the sleeve on the Plastic washer wont fit through the Fixing Hole of the basin - simply remove with a hacksaw if this is the case.



Standard Pedestal Installation cont`

- For bolt hole fixing kit.



6. On the back of the basin draw a horizontal line through the centres of each fixing hole and a vertical line directly down the original centre mark on the tap ledge.
7. Measure a vertical dimension `Y` on the basin (distance down from the centre tap ledge to the centres of the fixing holes) and then
8. Measure the horizontal X1 and X2 on the basin (distance from the centre line of the basin to the centres of each fixing hole).
9. Using the bottom centre of the inverted `T` as a start point, mirror these dimensions on the wall. These are the two positions where the fixing bolts should be located. See diagram above.
10. Drill the wall to take the fixing bolts and rawl plugs (not supplied). Install the fixing bolts leaving sufficient thread showing to locate the basin and secure the washer and nuts.
11. Relocate the basin on to the pedestal, and secure the basin to the wall. See diagram on bottom of front page for details of basin bolt fixing.

For screw fixing:

- Drill the wall at the position marking the screw holes and use the appropriate fixing for the wall type.

Please ensure these instructions are followed carefully - if you are unsure about any aspect of the installation, please consult a qualified installer.

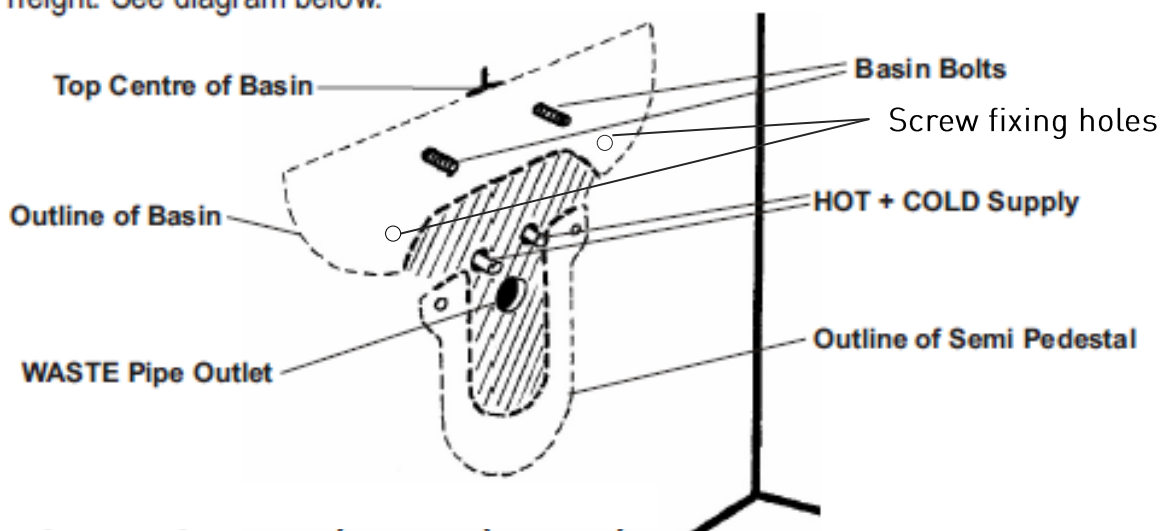
NOTES

- Consider and plan the installation of your basin taps and basin waste-pre installing them prior to fixing your basin may be required.
- Use wall fixings suitable for your wall construction.
- Do not over tighten wall fixings, taps or wastes onto ceramic surfaces
- For Semi - pedestal installation - see overleaf
- Use a non permanent marker or pencil for marking.

Semi Pedestal Installation

N.B. Careful planning is required to ensure HOT and COLD supply and waste pipe outlets are contained within the confines of the semi pedestal. The simplest way to establish the necessary positions for all fixings and feed is as follows:

1. Lay the basin and pedestal, as if they would be assembled, on their backs on a large piece of paper on the floor.
2. Using a pencil trace all the way around the outline of both the basin and semi pedestal, including the underside of the basin and the inside of the semi pedestal.
3. Carefully mark the centre of the basin on its tap ledge and extend this line of its outlet on the paper.
4. Assemble your waste and bottle trap onto basin and mark the centre line of its outlet on the paper.
5. Transpose this information onto the wall into your desired position in the bathroom. Ensure the information is straight and that the top line of the basin is at the correct height. See diagram below.



Semi Pedestal Installation cont`

6. Plumb in the HOT and COLD supply such that they emerge from the wall with in the shaded area on the diagram.
7. Plumb in your WASTE pipe outlet with in the shaded area and along the centre line that you previously established.
8. Secure the basin to the wall following the steps on previous pages for the bolt hole or screw fixing types

N.B: *It may be easier to secure your taps and waste to the basin prior to fixing the basin to the wall.*

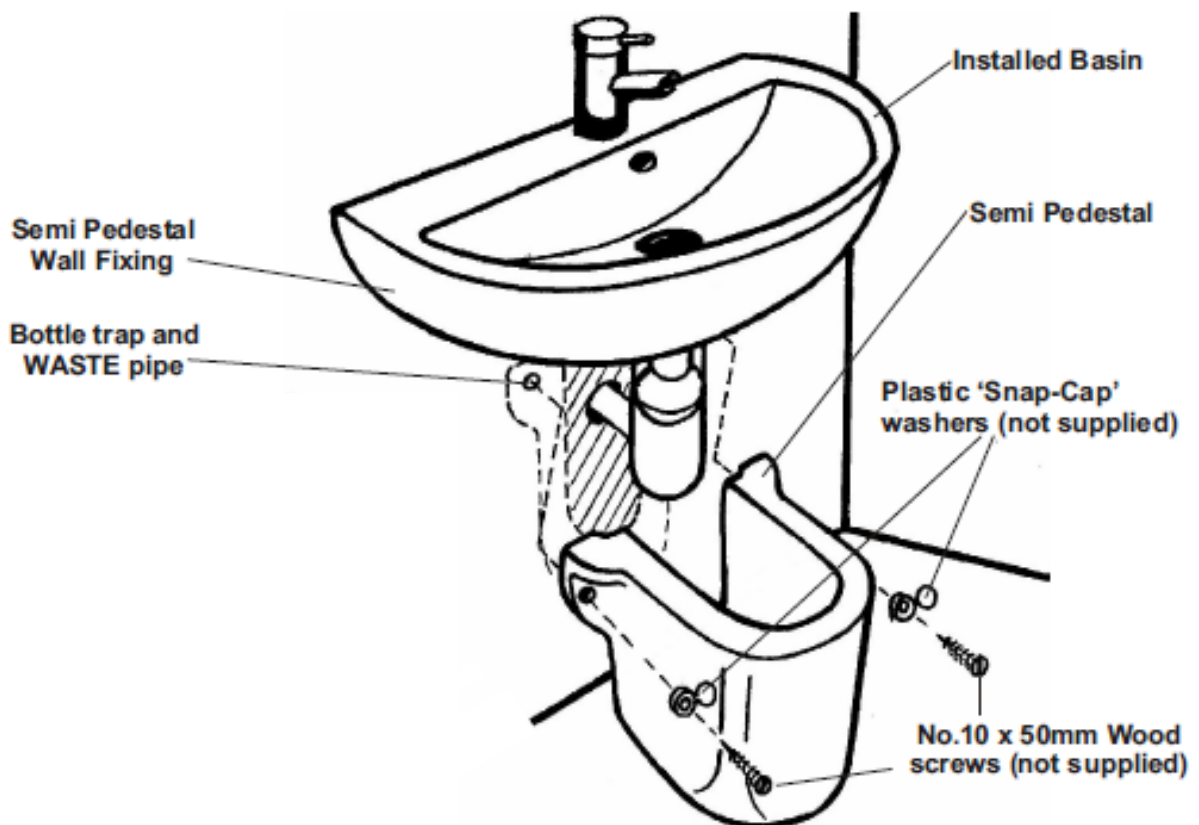
9. Once the basin is secured to the wall make your HOT and COLD supply and WASTE pipe outlet connections.

For screw fixing holes:

10. Place the semi pedestal in position, mark the centres of the 2 x wall fixing holes and secure to the wall. See diagram below.

N.B. Wall fixings for the semi pedestal are not supplied.

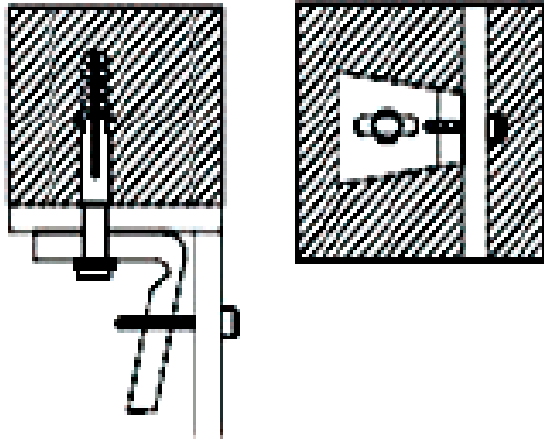
For stud walls screw direct into timber frame. For masonry walls use an appropriate Rawl plug. Use a plastic or rubber washer between the head of the screw and the ceramic surface. White 'Snap-Caps' - washers with integrated cover caps would be ideal to hide the head of the screw once installed.



For horizontal semi-pedestal fixing:

Where fixing brackets are supplied.

Caution: Care should be taken when drilling into walls and floors to avoid any sunken wires or pipes. The fixings supplied with this pack are for solid walls only. Plasterboard or stud walls may require specialist fixings (NOT SUPPLIED).



Pedestal.

1. Place the pedestal under the basin and mark the position of the screw holes and other edge of the pedestal.
2. Secure the brackets using the hexagonal head screw and washers, the plastic plugs are for use when fixing to solid walls.
3. Replace pedestal into position and secure using countersunk head screws and caps.

NOTE: semi-ped is not a load bearing fixture after installation. Ensure specified fixing for washbasins are used.

Technical Data



Drill
Ø10mm



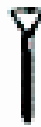
Plastic plug
S10 2-off



Hexagonal head
screws 6x50mm
2-off



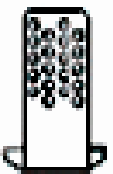
Washers
2-off



Countersunk head
screws 5x50mm
2-off



Cap covers
& bushes
2-off



Fixing brackets
2-off

General Cleaning

Your fitting has a high quality finish and should be treated with care to preserve the visible surfaces. All finishes will wear if not cleaned correctly. The only safe way to clean your product is to wipe with a soft damp cloth. Stains can be removed using washing up liquid. All bathroom cleaning products (powders and liquids) will damage the surface of your fitting, even the non-scratch cleaners.

Note: Never use abrasive detergents or disinfectants or those containing alcohol, hydrochloric acid or phosphoric acid.



Bristan recommend E-cloth for cleaning all of our bathroom & kitchen products. Using just water, E-cloth gives a

smear free, deep clean by breaking up and holding dirt, which normal cloths leave behind. Order through your Bristan stockist (order code: E CLOTH).

Guarantee & Registration

Sanitaryware

5 year parts only. All subject to proof of purchase.

This guarantee applies to products purchased within the United Kingdom or Republic of Ireland, but does not apply to products used commercially.

The guarantee is only available to original purchasers who have proof of purchase.

The installation must allow ready access to all products for the purpose of inspection, maintenance or replacement.

Any part found to be defective during the above guarantee period will be replaced without charge, providing that the product has been installed in accordance with the instructions, used as intended, and regularly serviced.

In the unlikely event that any problems are encountered with the product's performance on installation, you must obtain guidance/authorisation from our Customer Service Department, and be able to supply proof and date of purchase, before any remedial action is taken.

The guarantee excludes general wear and tear and damage caused by accident, misuse or neglect, and does not cover the following:

- Damage caused by faulty installation
- Damage caused by lime scale or any waterborne debris
- Damage caused by inappropriate cleaning products (see user instructions)
- Damage caused by the use of non-original parts
- The product being used for a purpose other than intended by the manufacturer.

In the interests of continuous product improvement Bristan reserves the right to alter specification as necessary.



Guarantee

BRISTAN

This booklet covers product codes

Basin & Pedestal

Semi Basin & Pedestal

Helpline

0844 701 6273

Bristan Group Limited

Birch Coppice Business Park, Dordon, Tamworth, Staffordshire B78 1SG

A Masco Company

Website: www.bristan.com

Telephone: 0844 7016 274 Facsimile: 0844 701 6275

Email: enquire@bristan.com