

## **AFTERCARE INSTRUCTIONS**

Your fitting has a high quality finish and should be treated with care to preserve the visible surfaces.

All surface finishes will wear if not cleaned correctly, the only safe way to clean your mixer is to wipe with a soft damp cloth. Stains can be removed using washing up liquid. All bath cleaning powders and liquids will damage the surface of your fitting, even the non-scratch cleaners. **NOTE: Never use abrasive detergents or disinfectants or those containing alcohol, hydrochloric acid or phosphoric acid.**

Bristan recommend E-Cloth for cleaning all of our bathroom & kitchen products. Using just water, E-cloth gives a smear free, deep clean by breaking up and holding dirt, which normal cloths leave behind. Order through your Bristan stockist. (ORDER CODE: ECLOTH)



## **GUARANTEE**

All products are manufactured to the highest standards and a 5 year guarantee covers any defect in manufacture.

**NOTE: The 5-year guarantee on the cartridge is invalidated if damaged by any waterborne debris.**

**All products must have access for servicing or replacement during the life of the product.**

In the interests of continuous product development we reserve the right to alter specification as necessary

## **PRODUCT CODE: PM BAS C, PM BID C**

PRODUCT IDENTIFICATION CODE LASER ETCHED ON PRODUCT  
Installer please fill in code here \_\_\_\_\_ . (Where applicable)

## **TELEPHONE HELPLINE: 0844 701 6273**

Bristan Group Limited  
Birch Coppice Business Park  
Dordon  
Tamworth  
Staffordshire  
B78 1SG  
UK  
A Masco Company  
Website: [www.bristan.com](http://www.bristan.com)  
Telephone: 0844 701 6274  
Facsimile: 0844 701 6275  
Email: [enquire@bristan.com](mailto:enquire@bristan.com)

# BRISTAN

## **Prism Basin and Bidet Mixer**

## **Fitting Instructions & Contents List**

Before starting any installation project please consider:

Prior to drilling into walls, check there are no hidden electrical wires, cables or water supply pipes with the aid of an electronic detector. If you use power tools do not forget:

- Wear eye protection
- Unplug equipment after use



**Please keep these instructions for future reference and request of replacement part**

## WATER PRESSURE

This mixer is suitable for use at all supply pressures. However for optimum use both the hot and cold supplies should be reasonably balanced.

If the fitting is installed at low pressure (tank fed), then the minimum distance from the highest installed position of the outlet to the underside of the cold tank should be 2 metres to ensure adequate performance.

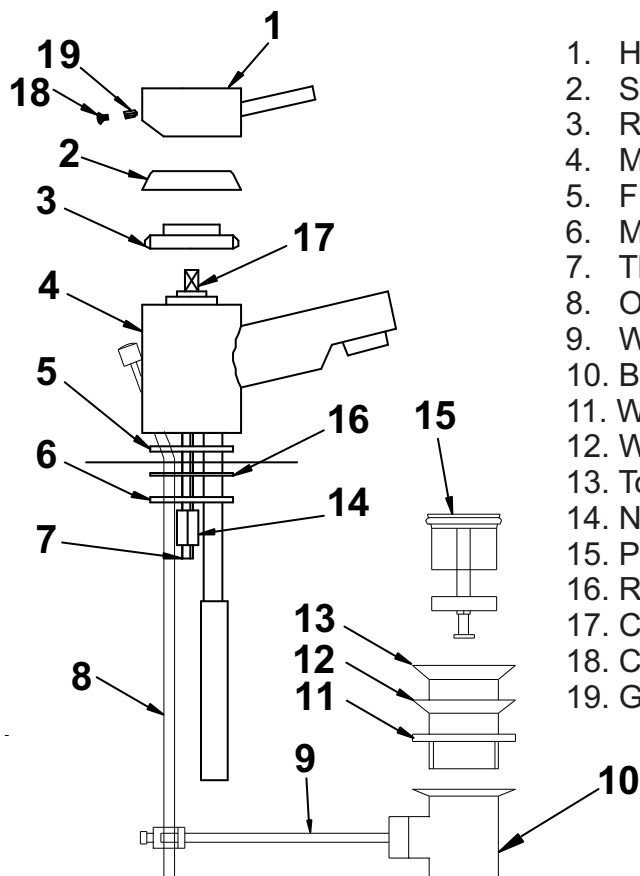
**Operating Pressures: Min 0.2 bar, Max 7.0 bar.**

This mixer should be installed in compliance with the Water Regulations. Where the supplies are unbalanced, i.e. hot water from cylinder tank/cold from the mains, approved check valves must be fitted in the supply pipes.

For further details contact your Local Water Authority.

## CONTENTS

1. Handle Head	(x1)
2. Shroud	(x1)
3. Retaining Nut	(x1)
4. Mixer Body	(x1)
5. Full Rubber Washer	(x1)
6. Metal Washer	(x1)
7. Threaded Piece	(x2)
8. Operating Rod	(x1)
9. Waste Rod	(x1)
10. Bottom Waste	(x1)
11. Washer	(x1)
12. Washer	(x1)
13. Top Waste	(x1)
14. Nut	(x2)
15. Plug	(x1)
16. Rubber 'C' Washer	(x1)
17. Cartridge	(x1)
18. Cap	(x1)
19. Grub Screw	(x1)



## INSTALLATION

1. Identify all components and check for completeness, particularly before arranging installation.
2. Fit the mixer body (4) to the basin/bidet using the 'C' plate fixing kit (6 & 16). The full rubber washer (5) goes between the fitting and the basin/bidet, and the 'C' shaped rubber (16) and metal washer (6) on the underside of the basin/bidet. Use the threaded pieces (7) and nuts (14) to secure to basin/bidet.
3. Fit the tail pipes by **HAND ONLY - (DO NOT OVERTIGHTEN)** to the fitting and connect the hot and cold supplies.
4. Fit the pop-up waste, and connect it to the mixer using washer (12) and the top of the waste (13) above the basin/bidet, and the washer (11) and bottom of waste (10) on the underside. The waste can be set by adjusting the waste rod (9)/operating rod (8) connecting bracket and adjusting screw in the base of the plug (**DO NOT OVERTIGHTEN**).
5. Fully open the mixer in the mid position, letting it run for a few minutes to check all joints and connections for leaks.
6. See over the page for aftercare instructions.

## MAINTENANCE

### If the fitting begins to drip:

1. Turn off the water supply
2. Remove/Prise out cap (18) then unscrew/loosen grub screw (19) with a 2.5mm hexagon key and pull off the handle head (1).
3. Remove valve cartridge (17).
4. Carefully clean seating, rubber washer and ceramic disc.
5. Replace valve cartridge and head and turn on the water supply.
6. Contact our helpline if problem persists.