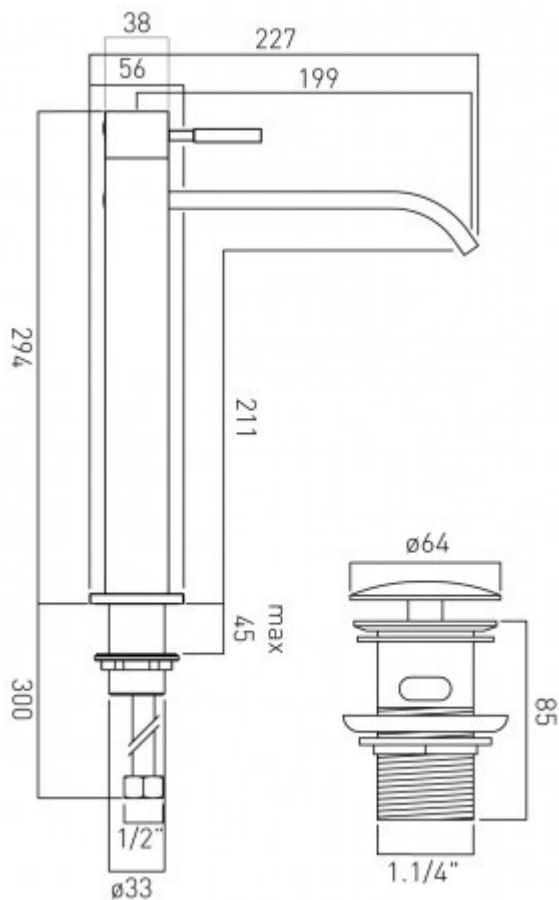




Technical sheet: INS-100E/CC-C/P



technical drawing



description:

extended mono basin mixer
single lever
deck mounted
smooth bodied
with clic-clac waste
ceramic cartridge CAR-K28A
2 x 1/2" nut x 560mm flexipipe connections
deck mount drill hole diameter 34mm

finishes:

chrome

minimum operating pressure: 1.0 bar MP

ECO flow regulator: FR-100/5-PLA

guarantee:

12 year guarantee

VADO wedmore road cheddar somerset england bs27 3eb

tel 01934 744466 fax 01934 744345 sales@vado-uk.com www.vado-uk.com