



## Inox-Pro Installation & Operations Guide





---

## Installation & Maintenance Guide

### Operation Overview

The INOX PRO range of Expansion Vessels is specifically designed for Unvented Potable Systems to deal with increased water volume resulting from heat expansion, solving issues of “water hammer” phenomenon, or reducing number of pump operations or duration of pump run. The stainless steel construction makes this vessel ideal for aggressive installation environments (E.g. Coastal areas) and areas where environmental hygiene is of paramount concern.

### Operation overview for Heat Expansion Purposes

The purpose of these vessels is to accommodate the increased liquid volume which occurs during system heating in an Unvented Circuit. A pressurised membrane allows ingress/egress of the liquid during periods of heating / cooling thus providing space for the expanded fluid volume to reside and prevent system pressure increase.

The sensible contraction of system water volume during cooling periods is enabled by means of a compressed air cushion which returns this temporarily expanded volume to the system.

The correct size of vessel must be considered prior to installation and installed by appropriately trained engineers. Careful consideration of pre charge must also be made as this is dependant on the application of the vessel.

### Operation overview for Water Hammer (Shock) Arrester Purposes

Also known as Hydraulic Shock, water hammer is a specific phenomenon and is not a “catch all” phrase for noisy pipes. The fitting of an INOX PRO vessel will not resolve system noises where the root cause is excessive dynamic pressure, improperly clipped pipework or pipe bore restrictions due to clogged filters, burrs on cut pipe or excessive “bushing down” of distribution pipework.

Water hammer is caused when a water supply outlet is closed very suddenly. This causes a change in the momentum of the water when the system suddenly goes from a lower running pressure to a higher static pressure. This momentum impacts against the now closed outlet resulting in a potentially loud banging noise. This is commonly found in “quarter turn” type tap outlets and washing machines with solenoids controlling flow.

Siting an INOX PRO as close to the source of the noise as possible will cause the vessel’s diaphragm to flex in response to this momentum change and prevent the audible impact against the terminal fittings. The pre charge should ideally be set to just slightly above the dynamic pressure of the system it is fitted to.

---

## Installation & Maintenance Guide

### Operation overview for Pump Buffering

Expansion vessels may be used to prevent excessive pump operations by providing a buffer of stored water volume held at a pressure slightly above the "Pump ON" activation threshold. This means that for short operations, the system pressure is maintained by the compressed air cushion expelling the stored water volume into the system until it is empty or the pressure drops below the differential threshold of a pump controlling pressure switch, after this time the pump will kick in to continue with the system duty pressure. This system can also act as a "self priming" mechanism for certain pumps. Note some pumps may have a vessel already fitted for this purpose, please consult relevant manufacturer for any specific guidance in this area.

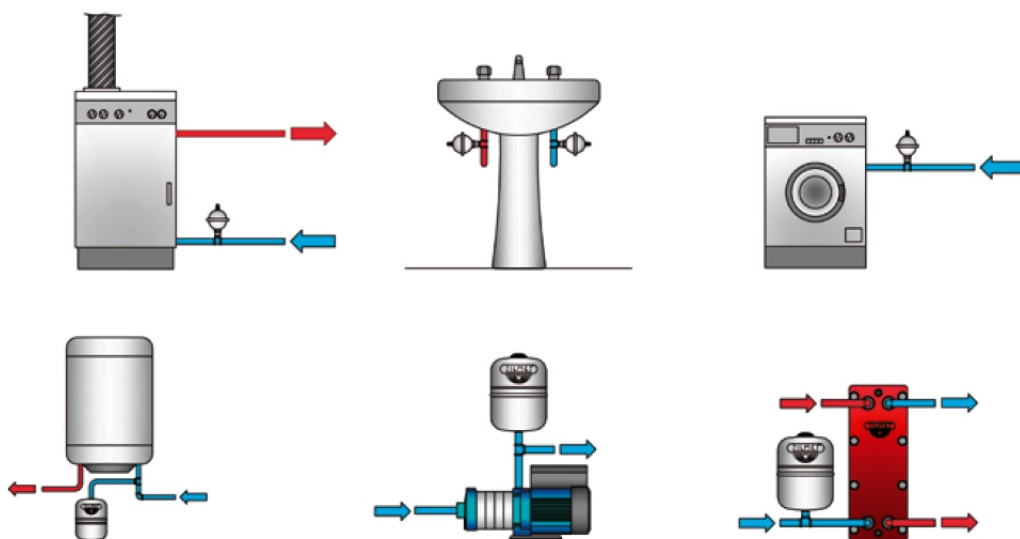
### Installation Siting

The Expansion Vessel may be fitted to a very wide range of systems, different sources of heat are applied to Unvented Hot Water Systems, and as long as the temperature & pressure is controlled within normal limits, the INOX-PRO will be compatible in it's application.

Installations where the heat source is augmented by Solid Fuel, Solar Thermal or other heat sources with potentially uncontrolled input temperatures are not compatible with these vessels and an alternative model should be specified.

The physical siting and commissioning of the vessel should always be in accordance with the instructions relating to any associated equipment as each application may have a number of acceptable siting options or locations.

Typical examples are shown below.





---

## Installation & Maintenance Guide

The UK Water Supply Industry Recommendations for Pressure testing state:-

“When testing rigid pipe systems all the outlets in the installation should be sealed and all float operated valves should be capped off or isolated. The water pressure should then be increased, by pumping, until the internal water pressure at the lowest point of the installation is 50% above the normal operating pressure. This pressure should be maintained for one hour without further pumping”.

Where the expansion vessel is concerned, there may be times when this testing procedure will take the system pressure to something in excess of the maximum working pressure. At times like this there is the potential to burst the membrane. This is due to the tremendous strain that the membrane is subjected to in these conditions, which is caused ultimately by a greatly increased “acceptance factor”.

The acceptance factor in this case is essentially the percentage of the overall vessel volume which is filled.

In order to successfully pressure test the system without endangering the membrane, it is necessary to increase the pre charge of the vessel temporarily to a magnitude that prevents the acceptance factor exceeding 40% while the maximum working pressure is exceeded.

The method of calculating the increased pre charge required is:-

Where,

$P_i$  = Initial charge pressure (Absolute) - This should equal the value of the static system pressure minus 0.2 Bar.

$P_f$  = Maximum operating pressure (Absolute) of the Safety Relief Valve, taking into account any differences in height between the vessel and the safety relief valve.

$$(P_i / P_f) \times 100 = \text{acceptance factor}$$

If acceptance factor exceeds 40% then increase  $P_i$  until this is not so.

$P_i$  = final value of pre charge required before system pressure test.

For example if the normal operating pressure of a system is 9 Bar, then the expected test pressure for the system is 13.5 Bar.

Because this exceeds the maximum working pressure, the pre charge should be temporarily increased to something like 5.4 Bar or more if possible. In this way, the integrity of the vessel is still tested properly without undue risk to the membrane.

---



# Installation & Maintenance Guide

## Sizing

The appropriate sizing of an expansion vessel must be undertaken by qualified or appropriately trained engineers. Due to the variable nature of pump control systems we regrettably can provide no further specific examples or guidance for pump applications other than heat expansion.

$$V = \frac{e \times C}{1 - P_i/P_f}$$

V = Expansion Vessel Size

e = Expansion Co-efficient corresponding to the difference between the cold water system temperature and the maximum working pressure.

In standard plants:-

$$e = 0.02244$$

C = Total Water Capacity of the system in Litres

P<sub>i</sub> = Initial charge pressure (Absolute) - This should equal the value of the static system pressure minus 0.2 Bar.

P<sub>f</sub> = Maximum operating pressure (Absolute) of the Safety Relief Valve, taking into account any differences in height between the vessel and the safety relief valve.

Temp	e Value
0	0.00013
10	0.00025
20	0.00174
30	0.00426
40	0.00782
50	0.01207
55	0.01450
60	0.01704
65	0.01980
70	0.02269
75	0.02580
80	0.02899
85	0.03240
90	0.03590
95	0.03960
100	0.04343

## Example - Relating to Heat Expansion

C = 300 Litres

P<sub>i</sub> = 3.3 Bar (4.5 Bar atmospheric)

P<sub>f</sub> = 6 Bar (7 Bar Atmospheric)

$$V = \frac{0.02244 \times 300}{1 - (4.3 / 7)}$$

$$V = 18.7$$

Nearest vessel size with this capacity = 24 Litres

## Maintenance

The vessel requires inspection at least once a year (or as and when a drop in performance is noted from the system). The vessel must be visibly inspected for pinholes in the metal body of the vessel and the air pressure must be checked against the required pre-charge. Some pressure loss is to be expected and should be rectified to within a reasonable accuracy but a significant drop in air pressure may signify that the vessel is nearing the end of it's life span and may require replacement. Some provision should be made within a wider piece of equipment for access and inspection.

The air pressure may only be inspected when the vessel is either detached completely from the system or when the system itself is de-pressurised to atmospheric pressure.

## Installation & Maintenance Guide

### Materials

Shell: Stainless Steel

Connection: Stainless Steel

Membrane: Butyl

Max Operating Temperature: 70°C

Colour: Misc Dull / polished finish

Code	Capacity (Litres)	Diameter (mm)	Height (mm)	Pmax (Bar)	Pre charge (Bar)	Connection (BSP)
11B000AA00	0.16	82	72	15	3.5	1/4" - 1/2" G Inox
11B000BB00	0.5	94	119	10	3.5	1/2" G Inox
11B0000100	1	116	155	10	3.5	1/2" G Inox
11B0000201	2	140	196	10	3.5	1/2" G Inox
11B0000800	8	198	275	10	2.5	3/4" G Inox NPT
11B0001200	12	270	270	10	2.5	3/4" G Inox
11B0001800	18	270	349	10	2.5	1" G Inox





---

## Notes

---

08/2012



**INOX-PRO**



Zilmet UK Ltd. Airfield Industrial Estate, Hixon,  
Staffordshire, ST180PF  
t: 01889272185, F: 01889272191  
web: [www.zilmet.co.uk](http://www.zilmet.co.uk), E Mail: [sales@zilmet.co.uk](mailto:sales@zilmet.co.uk)

For latest prices and delivery to your door visit MyTub Ltd - [www.mytub.co.uk](http://www.mytub.co.uk) - [info@mytub.co.uk](mailto:info@mytub.co.uk)