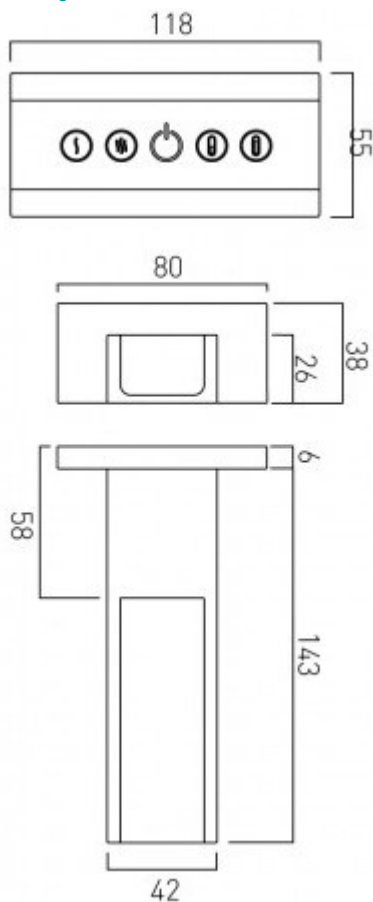




technical drawing



description:

basin mixer with open channel waterfall spout
with integrated LED light
wall mounted
with wall mounted digital touch screen control panel

installation note:

not suitable for use with a positive head pump install with a universal head pump only

finishes:

chrome

minimum operating pressure: 0.5 bar LP

Eco flow regulator: FR-100/5-PLA

guarantee:

6 year guarantee

VADO wedmore road cheddar somerset england bs27 3eb

tel 01934 744466 fax 01934 744345 sales@vado-uk.com www.vado-uk.com