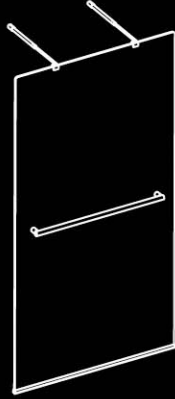


# installation manual

Twyford  
bathrooms

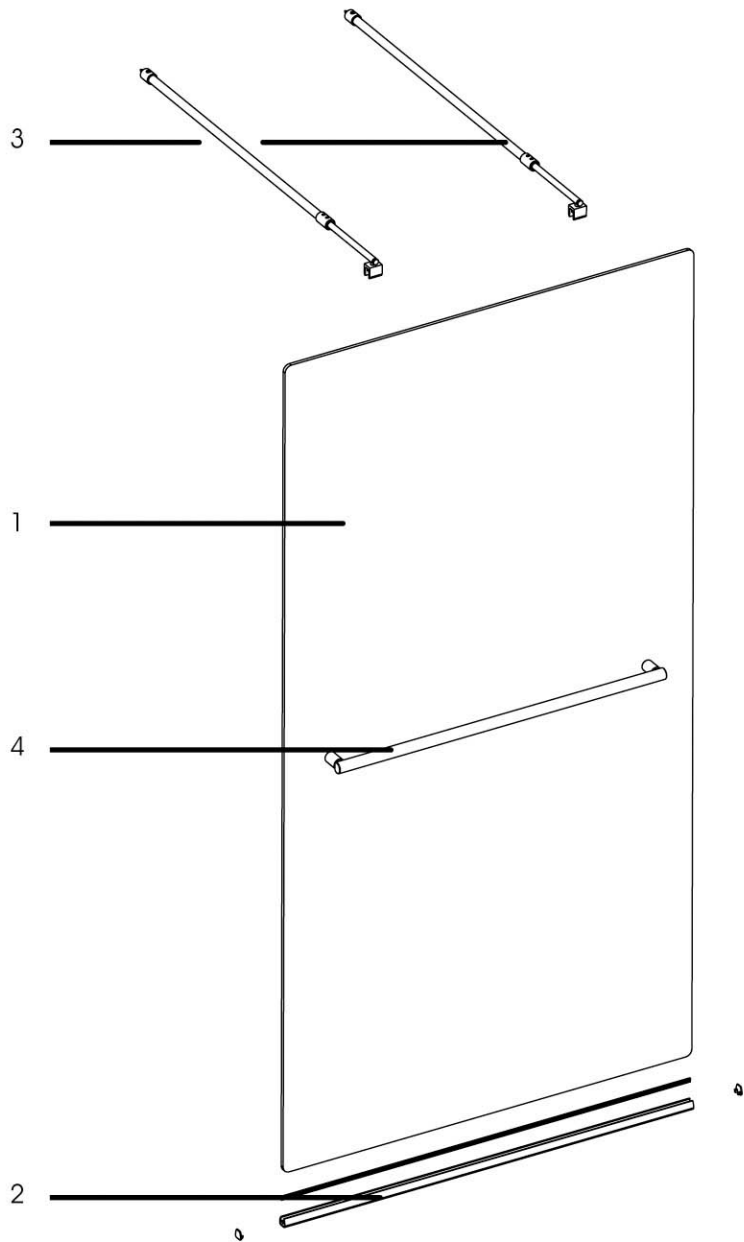


# WALK THROUGH PANEL

# Hydr8

**IMPORTANT**

Please read carefully the following instructions before installing your shower enclosure to ensure safe and proper use and avoid any injury to either the installer or user. Failure to comply may invalidate your guarantee. It is advisable that 2 people install this screen.

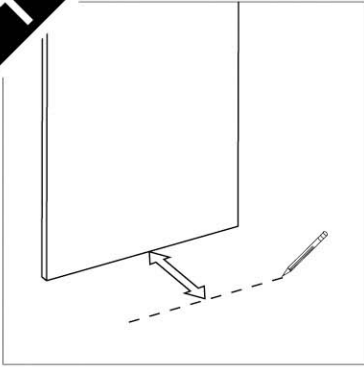


Walk Through Panel Components list		
Description	Qty	
1 Glass panel	1	
2 Bottom Chrome Glazing Strip	1	
3 Top Chrome Support Bar	2	
4 Towel Bar	1	

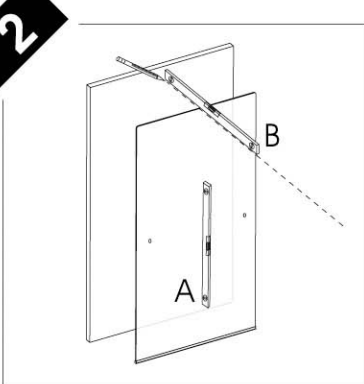
Walk Through Panel Fixings pack		
Description	Qty	
Pan hd self tapping screw 30mm lng	2	
Plastic wall plugs	2	
Glazing Gasket	1	
Bottom Bar End Caps	2	

**prior to installation:**

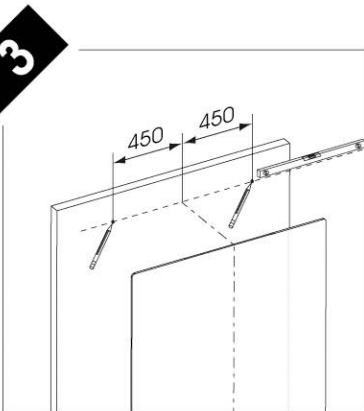
Before installing the shower screen, install the shower tray (if required) as per the manufacturers instructions making sure that tray is level in all directions.

**2**

Mark on the floor your required position for the screen. This distance can be between 800mm and 1100mm.

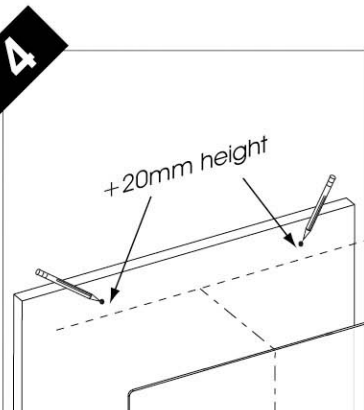


Move the glass onto your mark and raise vertically. Check this using a spirit level, **A**. With the screen upright, place the spirit level onto the top edge and touching the wall, **B**. When level, mark the wall with your pencil, as shown. This is your datum point.

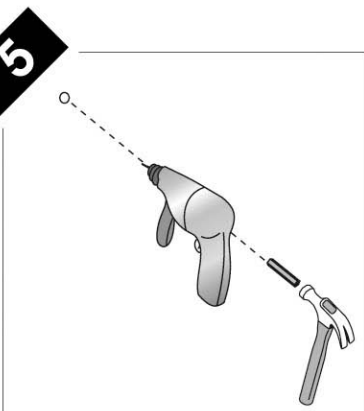


Mark 2 additional points on the wall, at 450mm distance, each side of the screens centreline, as shown. These 2 points should be at the same height as your datum mark.

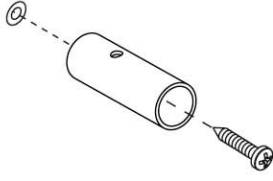
**The screen should now be moved away to prevent damage.**



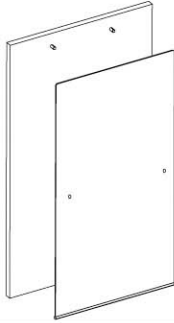
The final marks are to raise these 2 positions by 20mm, to account for the thickness of the stabiliser bracket. These are your drilling positions.



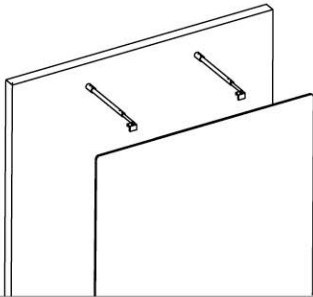
You can now drill and plug the wall ready for fitting the wall stabilisers.

**3****6**

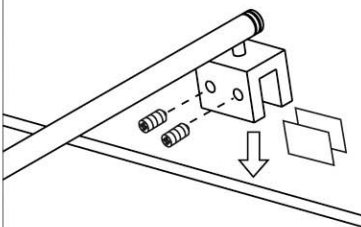
Screw the 2 stabiliser brackets to the wall using the screws provided. ensure the grub screw holes are positioned at the top.

**7**

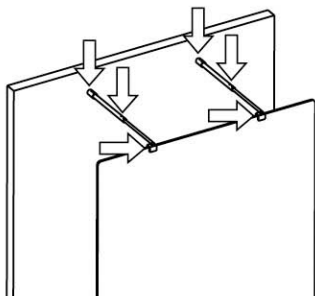
Place the screen back onto its floor position.

**8**

Insert the stabilizer bars into their brackets, ready to attach to the glass.

**9**

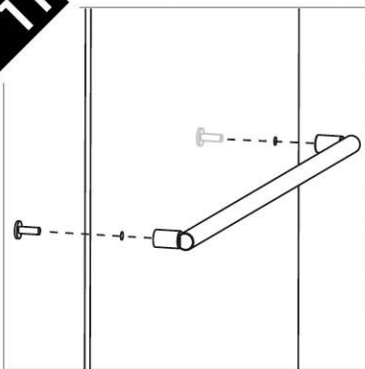
Extend the stabilizer bars and attach to the glass, ensuring the protective gaskets are fully inserted to stop the glass and metal from coming into contact with each other.

**10**

Making sure the screen is vertical, tighten all screws and grub screws to hold the screen in place.

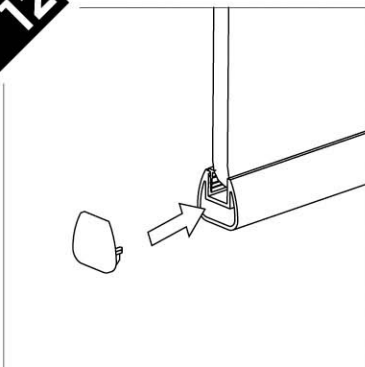
4

11



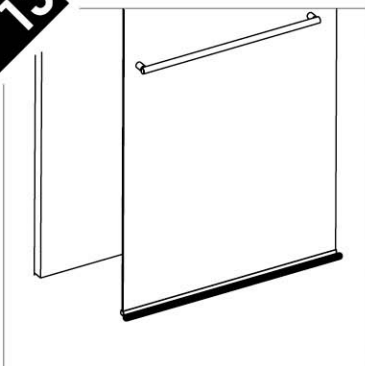
Fix the towel rail to the external side of the screen.

12



Fit the black end-caps to the screen base.

13



Using good quality silicon sealant, seal the outside edge of the screen to the floor/tray.

## Cleaning & Maintenance

Shower enclosures should be cleaned after every use. To prevent limescale from building up, use a squeegee, a soft cloth or chamois leather - but no cleaning agent - to wipe off any water droplets left after showering. Residue left by bodycare products (liquid soap, shampoo, shower gel) can also cause substances to accumulate. Use water to rinse away residues after use. All sliding door track fittings should also be cleaned this way - to ensure that they continue to run smoothly.

- Don't allow limescale to build up - especially in hard water areas
- If you do get a stubborn limescale build up, a mixture of 50:50 vinegar and water will help you to clean it away - but make sure all vinegar is rinsed off completely
- Never use strong detergents or cleaning agents
- Cleaning materials should wherever possible be rated between PH4 and PH8
- In no circumstances should you use any abrasive substances

**Twyford**  
bathrooms

Registered office: Lawton Road, Alsager, Stoke-on-Trent, ST7 2DF, UK

T: +44(0) 1270 879777 F: +44(0) 1270 870087

E: [shower.team@twyfordbathrooms.com](mailto:shower.team@twyfordbathrooms.com)

[www.twyfordbathrooms.com](http://www.twyfordbathrooms.com)

*Part of the Sanitec Group*