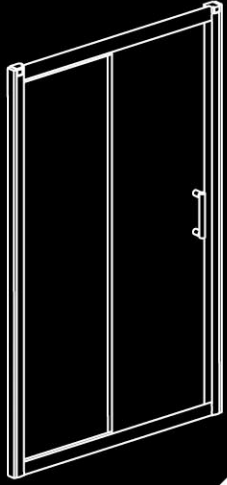


# installation manual



Twyford  
bathrooms

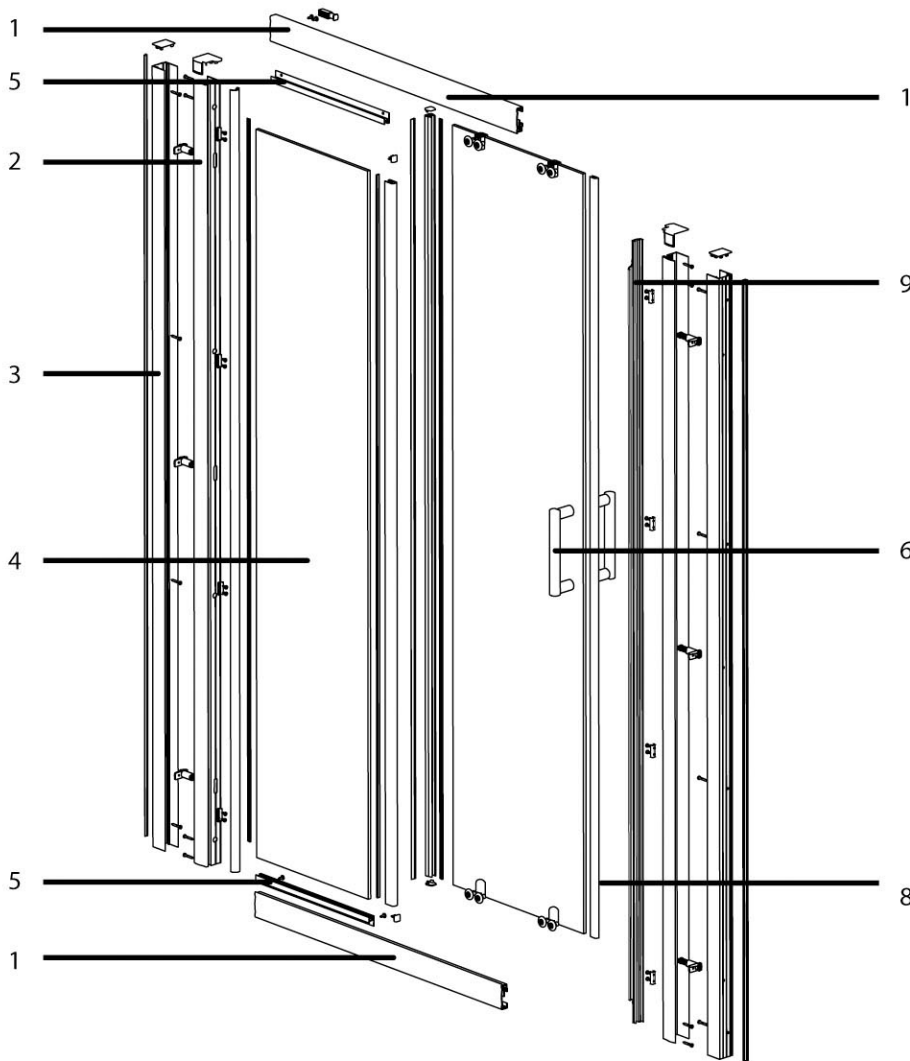
SLIDING  
DOOR WITH PANEL  
DOOR SIDE

# Hydr8



**IMPORTANT**

Please read carefully the following instructions before installing your shower enclosure to ensure safe and proper use and avoid any injury to either the installer or user. Failure to comply may invalidate your guarantee. For safety we recommend that 2 people should assemble this product.



Sliding Door Components list		
Part No:	Description	Qty
1	Top & bottom Rail	2
2	Inner Wall vertical profiles	2
3	Outer Wall vertical profiles	2
4	Fixed glass	1
5	Fixing Panel top & Bottom glazing strip	2
6	Handle	1
7	Fixed panel seal	1
8	Glass door magnet seal	1
9	Aluminium fixing cover strip	2

Sliding Door Fixings pack	
Description	Qty
Pan hd self tapping screw 30mm lng	16
Plastic wall plugs	8
2 piece cover caps	2
Dome head self tapping screws 15mm	6

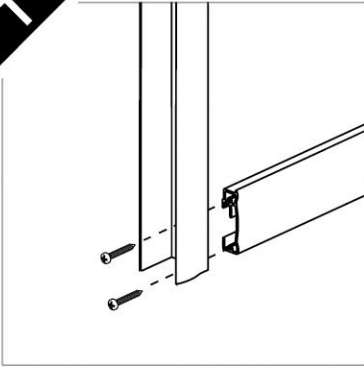
Side Panel Components list	
Description	Qty
Side panel unit	1
Fixing cover strip	1
Towle Rail	1

Side Panel Fixings pack	
Description	Qty
Pan hd self tapping screw 30mm lng	8
Plastic wall plugs	8
2 piece corner cover caps	1

**prior to installation:**

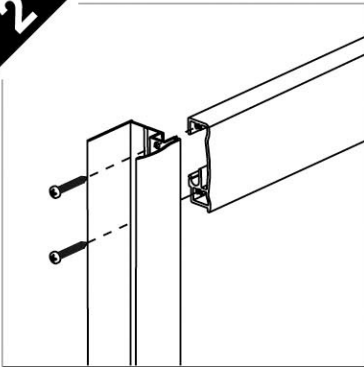
Before Installing the shower screen, Install the shower tray as per the manufacturers instructions making sure that tray is level in all directions.



**2****1**

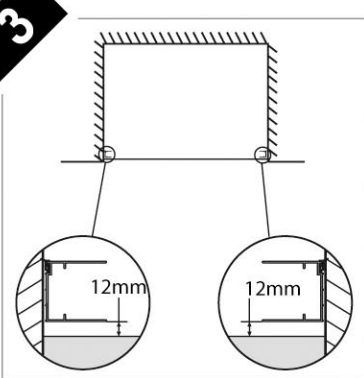
Decide which side you want your door opening by rotating the frame if necessary. (subsequent diagrams shown are for RH opening.)

Then, fit the bottom rail to the inner wall profiles, left and right. Left profile shown.

**2**

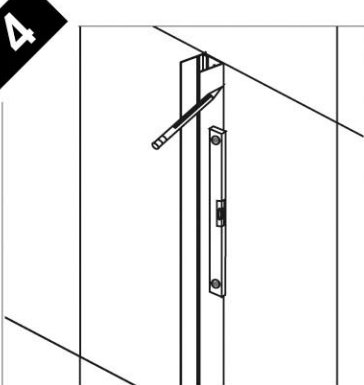
In the same way, fit the top rail to the inner wall profiles, left and right. Left profile shown.

**For installation in an alcove continue to step 3**  
**For installation in a corner please go to step 20**

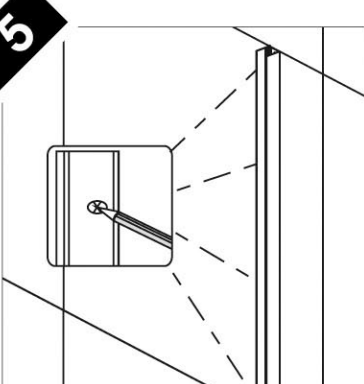
**3**

### Installation in an Alcove

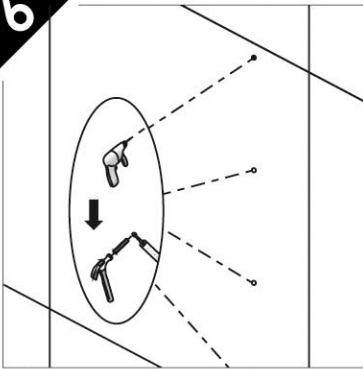
Position the wall profiles approx 12mm in from the edge of the tray or inside of up-stand.

**4**

Make sure both wall profiles are upright using a spirit level.

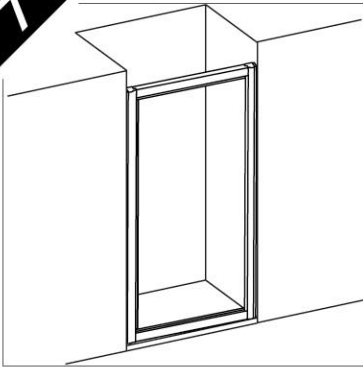
**5**

Mark the position on the wall through the pre drilled holes with your pencil. Carefully move the wall profile away from the wall and put somewhere safely to avoid damage when you start drilling.

**3****6**

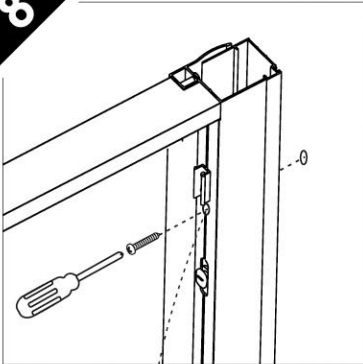
Drill holes where marked using the 6mm masonry drill bit. (You may need a specialized drill bit if you are drilling into tiles, if unsure please get advice). You can now install the wall plugs that have been provided.

**For installation in an alcove continue to step 7**  
**For installation in a corner go to step 24**

**7**

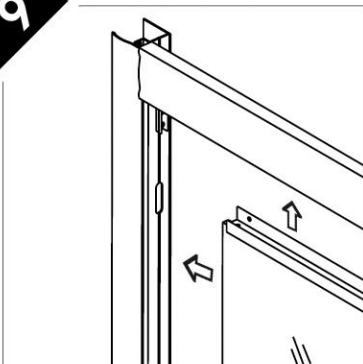
Reinstall the wall profiles onto the frame using the plastic micro-adjusters (reverse of step 1). These adjusters need to be at their minimum width. Lift this complete assembly onto the tray.

Now adjust the micro-adjusters out, on both wall profiles evenly, to fill the gap between the walls.

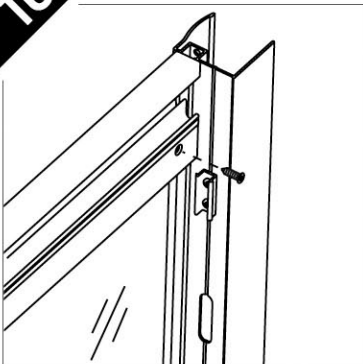
**8**

Then, with the aid of a magnetic screwdriver or bit, insert the 30mm long screws through the holes in the frame into the wall plugs already installed.

Tighten until secure.

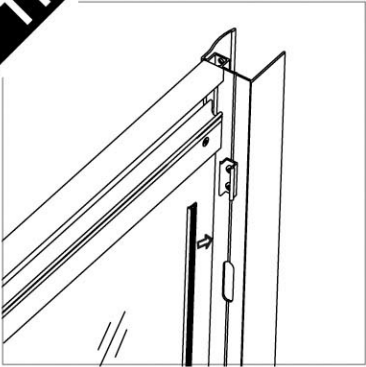
**9**

Fit the fixed glass panel into position, aligning the holes to those in the top rails.

**10**

Screw together using the 15mm dome head self tapping screws provided.

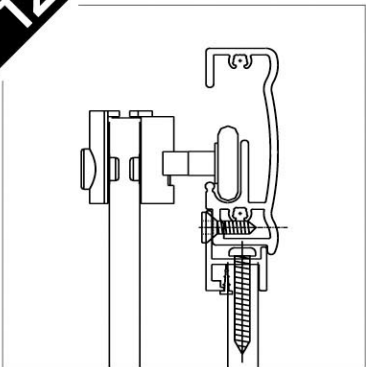
11



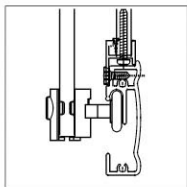
Fit seal between glass and aluminium



12

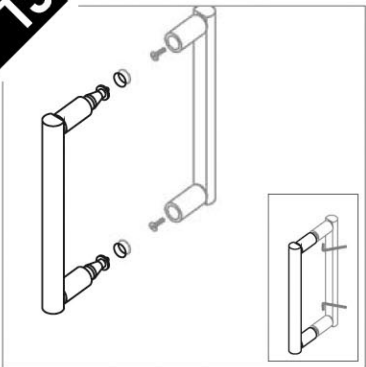


Now hang the doors into the outer track slot. Adjustment rollers are positioned at the top and the spring loaded rollers are at the bottom.

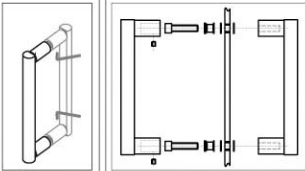


NB these rollers may need to be repositioned to the other side of the glass if the opposite hand is required. Please see exploded view on page 1.

13



Now fit the handles, as shown, with the grub screw section on the outside of the enclosure.

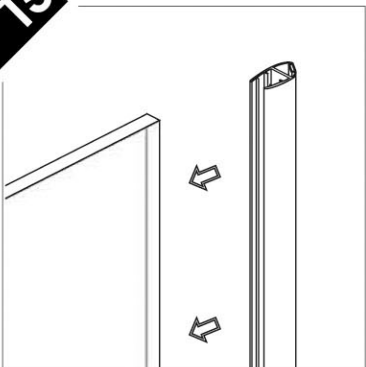


14

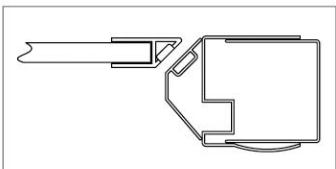


Clip on the alloy fixings cover. This includes the magnetic door closing strip.

15



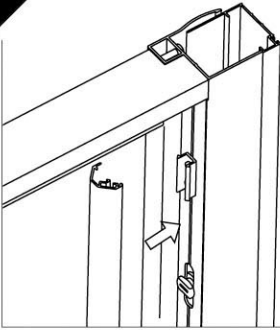
Fit the magnet seal to the leading edge of the door.



For alcove installation continue to step 16  
For corner installation go to step 25

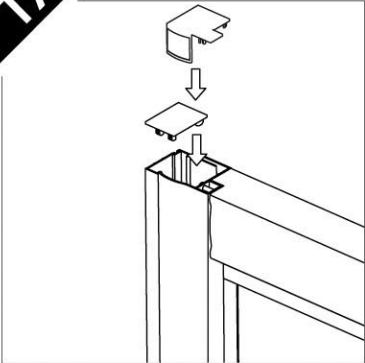
5

16



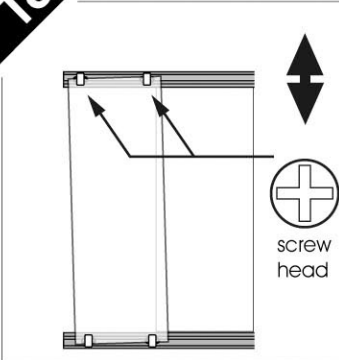
Then, clip the opposing alloy fixings cover onto the frame.

17



Install the frame profile cover caps, as shown.

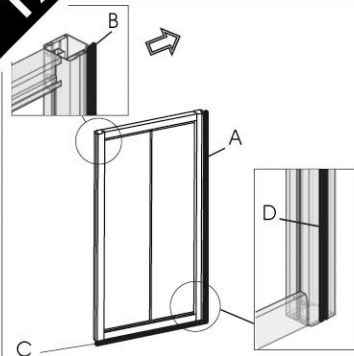
18



If the doors are misaligned when closed, use the adjusters on each top roller to ensure the seals fit together easily with no gaps.

The adjustment screws are on the underside.

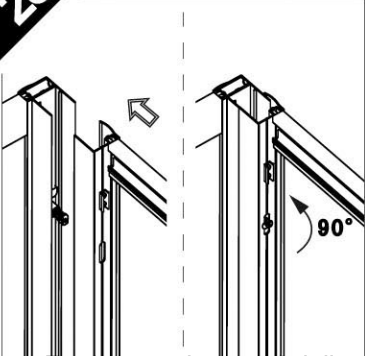
19



Using good quality silicon sealant, seal the enclosure to the wall and tray along the following joints:

- A: Outside vertical enclosure-to-wall joint.
- B: Inside vertical enclosure-to-wall joint.
- C: Outside Perimeter enclosure-to-tray joint.
- D: Wall profile-to-enclosure joint.

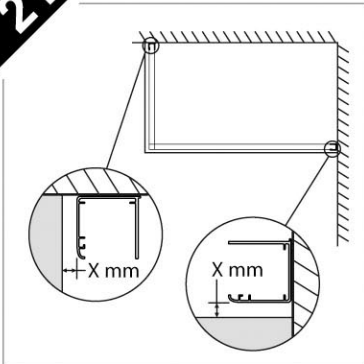
20



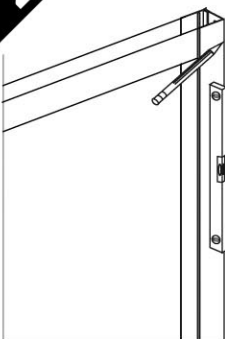
#### Installation in a corner. With Side Panel.

Making sure both the door panel (previously made) and side panel are upright, slide the door profile into the side panel profile.

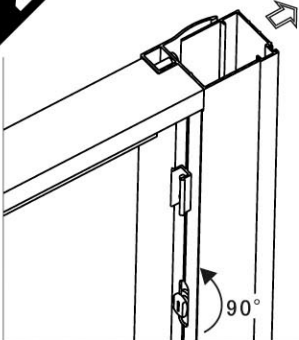
Turn the micro-adjusters 90 degrees to secure. Ensure all of the adjusters are firm and the join is even and straight along its whole length.

**21**

With a minimum of 2 people, lift this assembly onto your tray. Ensure both of the wall profiles are of equal distance from the edge of the tray.

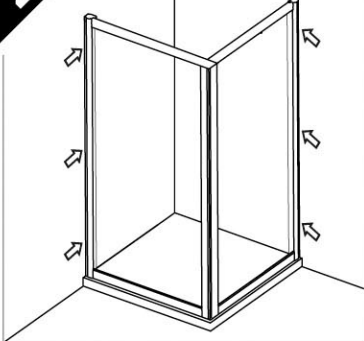
**6****22**

Make sure both wall profiles are upright using a spirit level. Mark the wall along the length of the profiles. Remove the assembly from the tray.

**23**

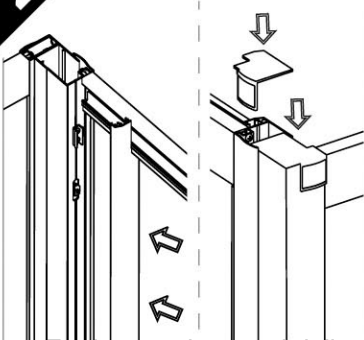
Part the outer wall profiles from their frames, on both sides, by rotating the micro adjusters inline with the slot. You can now place these loose wall profiles against your previously made marks.

**continue with steps 5 & 6**

**24**

Attach the wall profiles back onto the assembly using the micro-adjusters and then lift the whole assembly back onto the tray ready to screw to the wall. Now adjust the micro-adjusters so that an equal distance is maintained around the perimeter of the tray.

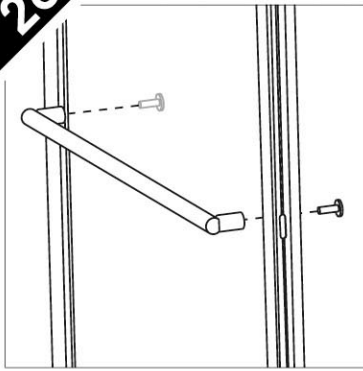
**Continue with steps 8 - 15.**

**25**

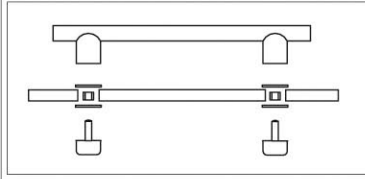
Fit the corner post fixings cover. Then, install the corner post cover caps, as shown.

7

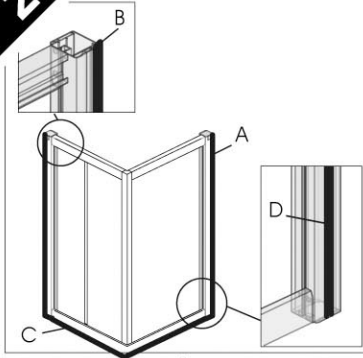
26



Install the towel rail onto the side panel, as shown.



27



Using good quality silicon sealant, seal the enclosure to the wall and tray along the following joints:

- A: Outside vertical enclosure-to-wall joint.
- B: Inside vertical enclosure-to-wall joint.
- C: Outside Perimeter enclosure-to-tray joint.
- D: Wall profile-to-enclosure joint.

## Cleaning & Maintenance

Shower enclosures should be cleaned after every use. To prevent limescale from building up, use a squeegee, a soft cloth or chamois leather - but no cleaning agent - to wipe off any water droplets left after showering. Residue left by bodycare products (liquid soap, shampoo, shower gel) can also cause substances to accumulate. Use water to rinse away residues after use. All sliding door track fittings should also be cleaned this way - to ensure that they continue to run smoothly.

- Don't allow limescale to build up - especially in hard water areas
- If you do get a stubborn limescale build up, a mixture of 50:50 vinegar and water will help you to clean it away - but make sure all vinegar is rinsed off completely
- Never use strong detergents or cleaning agents
- Cleaning materials should wherever possible be rated between PH4 and PH8
- In no circumstances should you use any abrasive substances

# Twyford bathrooms

Registered office: Lawton Road, Alsager, Stoke-on-Trent, ST7 2DF, UK

T: +44(0) 1270 879777 F: +44(0) 1270 870087

E: [shower.team@twyfordbathrooms.com](mailto:shower.team@twyfordbathrooms.com)

[www.twyfordbathrooms.com](http://www.twyfordbathrooms.com)

Part of the Sanitec Group