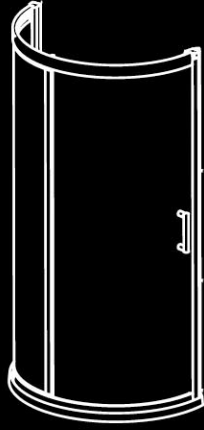


installation manual



Twyford
bathrooms

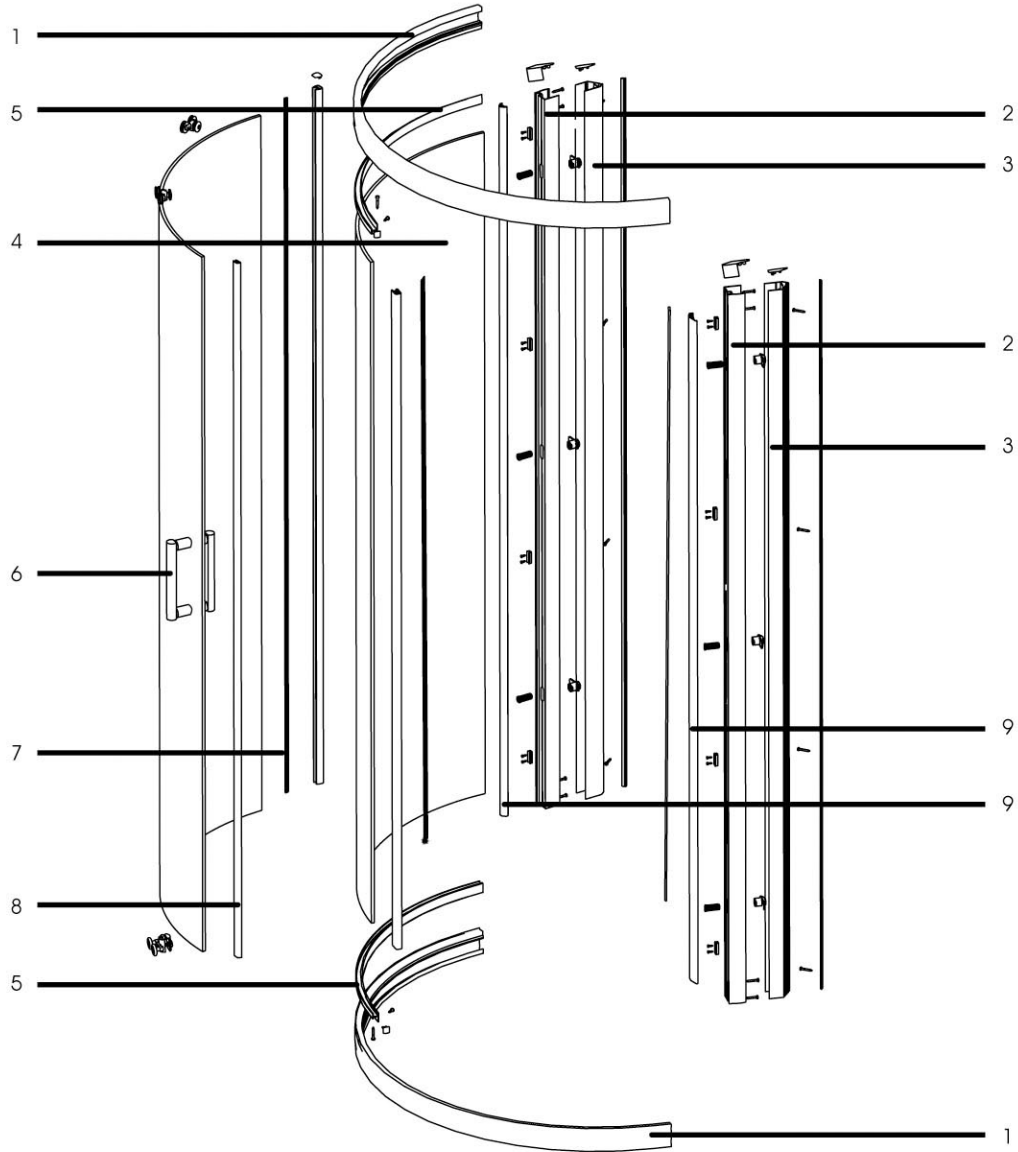
QUAD BOWL
DRAIN

Hydr8



IMPORTANT

Please read carefully the following instructions before installing your shower enclosure to ensure safe and proper use and avoid any injury to either the installer or user. Failure to comply may invalidate your guarantee. For safety we recommend that 2 people should assemble this product.

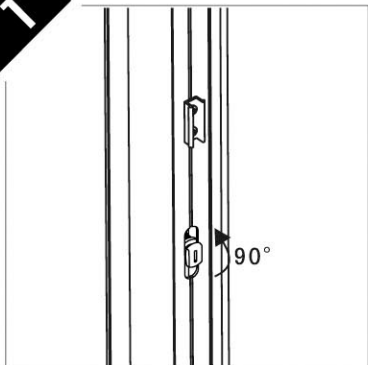


Bow Quad Door Components list		
Part No:	Description	Qty
1	Top & bottom Curved Rail	2
2	Inner Wall vertical profiles	2
3	Outer Wall vertical profiles	2
4	Fixed glass	1
5	Fixing Panel top & Bottom glazing strip	2
6	Handle	1
7	Fixed panel seal	1
8	Glass door magnet seal	1
9	Aluminium fixing cover strip	2

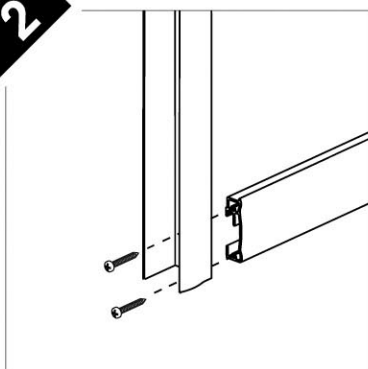
Bow Quad Door Fixings pack	
Description	Qty
Pan hd self tapping screw 30mm lng	16
Plastic wall plugs	8
2 piece cover caps	2
Dome head self tapping screws 15mm long	6

prior to installation:

Before Installing the shower screen, Install the shower tray as per the manufacturers instructions making sure that tray is level in all directions.

1

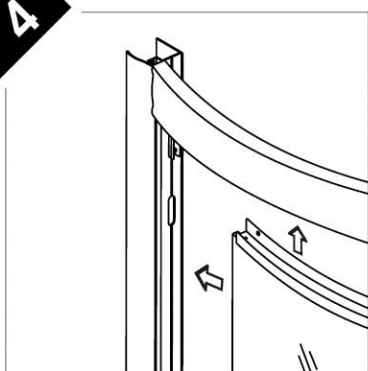
Part the inner and outer wall profiles by rotating the key inline with the slot.

2**2**

Fit the bottom curved rail to the inner wall profiles, left and right. Left profile shown.

3

In the same way, fit the top curved rail to the inner wall profiles, left and right. Left profile shown.

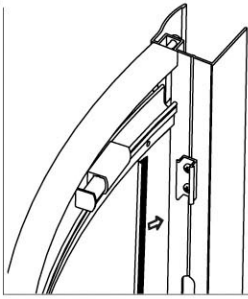
4

At this point, decide which side you want your door opening by rotating the frame if necessary. (drawing on left is RH opening - subsequent diagrams may be opposite to your chosen handing.)

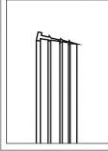
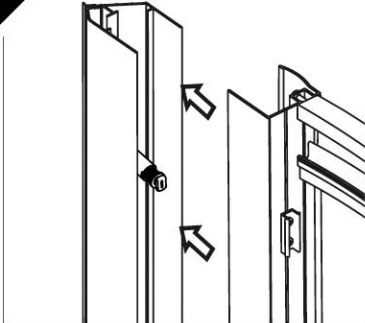
Then, fit the glass panel into position, aligning the holes to those in the top rails.

5

Screw together using the 15mm dome head self tapping screws provided.

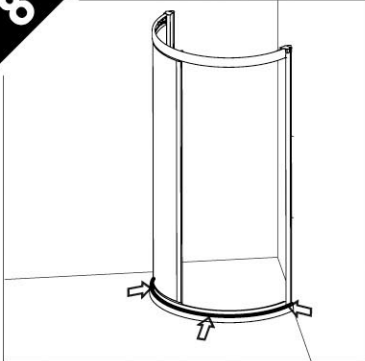
3**6**

Fit seal between glass and aluminium

**7**

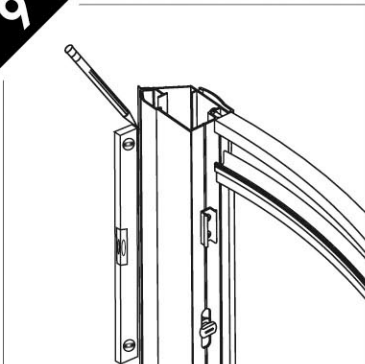
Setting the wall profiles:
Re-fit the wall profiles onto the left and right frame profiles using the micro adjusters (reverse of step 1)

Adjust the micro adjusters to 'fully in' (minimum adjustment).

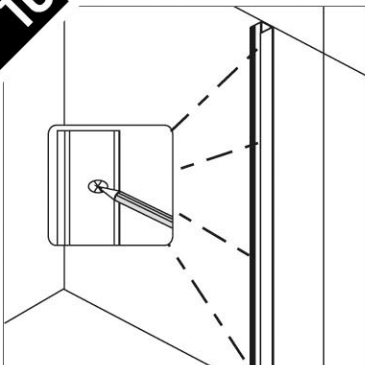
8

Place the assembled frame and glass onto the tray and adjust the micro adjusters so that the frame sits slightly in-board from the edge of the tray.

Ensure this distance is maintained around the whole perimeter of the frame.

9

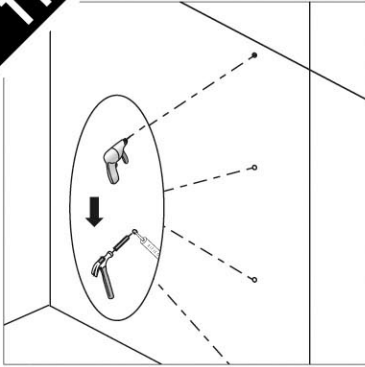
Check the wall profiles are vertical and mark their positions on the wall. Then remove the frame from the tray.

10

Remove the outer wall profiles from the frame (key slot) and position onto the wall in your marked position. Then mark through the fixing holes in the profile. Repeat for both sides.

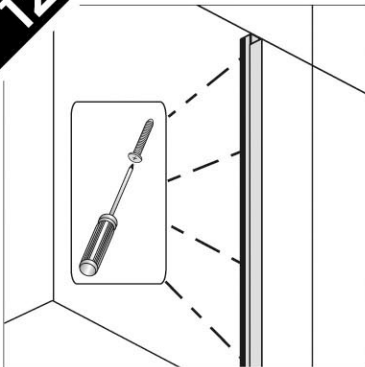
Carefully put the profiles to one side ready for drilling.

11



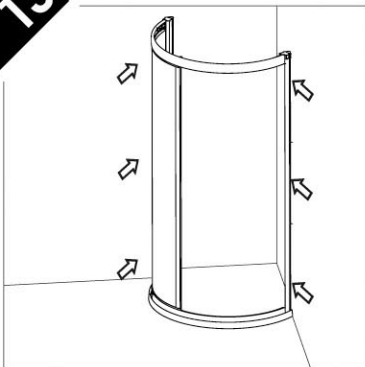
Drill the holes where marked using a 6mm drill bit (you may need a specialised drill bit if you are drilling into tiles, if unsure please seek advice).
You can now install the wall plugs.

12



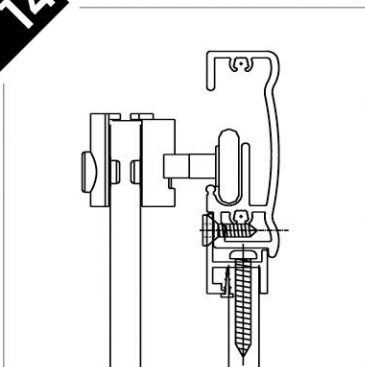
Screw the wall profiles to the wall using the 30mm screws provided.

13

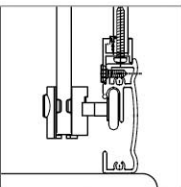


Place the assembled frame and glass back onto the tray and secure to your fixed wall profiles using the micro adjusters.
Ensure the frame sits in-board from the edge of the tray (as previously adjusted) making sure this distance is maintained around the whole perimeter of the frame.

14

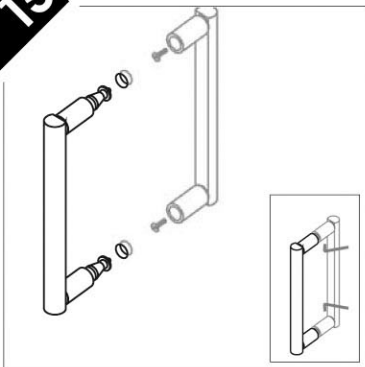


With the frame secured to the wall we can now hang the doors into the outer track slot.
Adjustment rollers are positioned at the top and the spring loaded rollers are at the bottom.

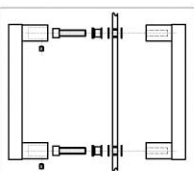


NB these rollers may need to be repositioned to the other side of the glass if the opposite hand is required.

15

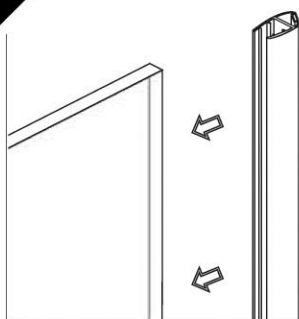


Now fit the handles, as shown, with the grub screw section on the outside of the enclosure.

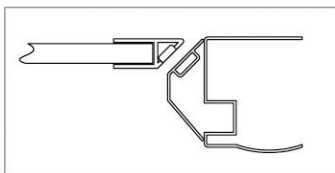


5

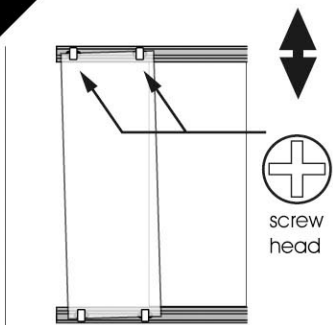
16



Fit the magnet seal to the leading edge of the doors.



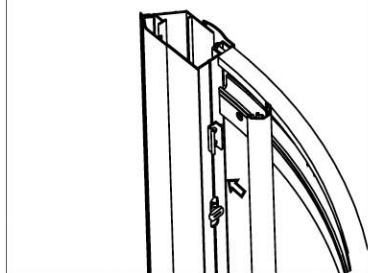
17



If the doors are misaligned when closed, use the adjusters on each top roller to ensure the seals fit together easily with no gaps.

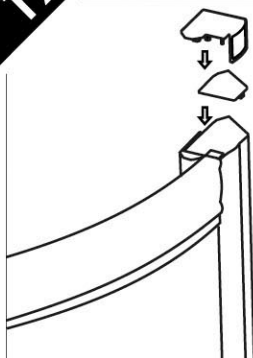
The adjustment screws are on the underside.

18



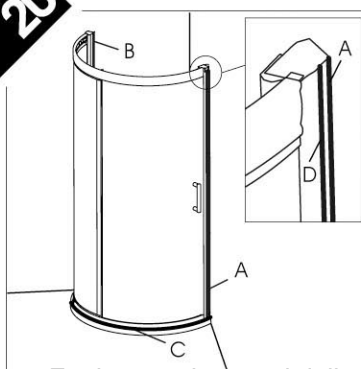
Then install the fixings cover strip.

19



Fit the 2-part profile cover caps.

20



Using good quality silicon sealant, seal the enclosure to the wall and tray along the following joints:

- A: Outside vertical wall profile-to-wall joint.
- B: Inside vertical wall profile-to-wall joint.
- C: Outside Perimeter enclosure-to-tray joint.
- D: Wall profile-to-inner profile joint.

Cleaning & Maintenance

Shower enclosures should be cleaned after every use. To prevent limescale from building up, use a squeegee, a soft cloth or chamois leather - but no cleaning agent - to wipe off any water droplets left after showering. Residue left by bodycare products (liquid soap, shampoo, shower gel) can also cause substances to accumulate. Use water to rinse away residues after use. All sliding door track fittings should also be cleaned this way - to ensure that they continue to run smoothly.

- Don't allow limescale to build up - especially in hard water areas
- If you do get a stubborn limescale build up, a mixture of 50:50 vinegar and water will help you to clean it away - but make sure all vinegar is rinsed off completely
- Never use strong detergents or cleaning agents
- Cleaning materials should wherever possible be rated between PH4 and PH8
- In no circumstances should you use any abrasive substances

Twyford
bathrooms

Registered office: Lawton Road, Alsager, Stoke-on-Trent, ST7 2DF, UK

T: +44(0) 1270 879777 F: +44(0) 1270 870087

E: shower.team@twyfordbathrooms.com

www.twyfordbathrooms.com

Part of the Sanitec Group