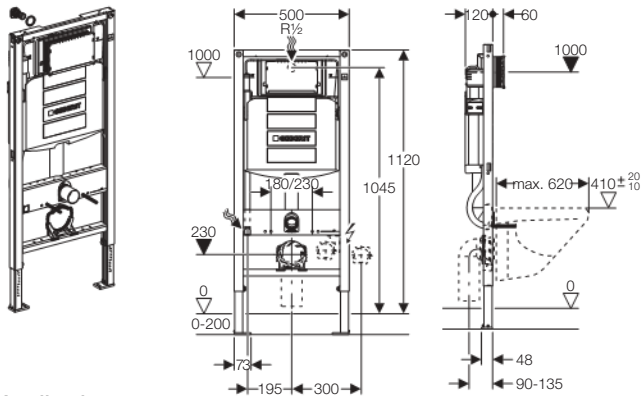


Duofix WC frames

Duofix WC frame 1.12 m with UP320 for Sigma flush plates



Application

- For installation of a wall-hung WC with bolt fixings set at 180 or 230 mm centres
- For installation in a room-high Duofix system wall
- For installation in a load bearing stud wall
- For a screed of 0 - 200 mm (not in room height applications)
- For connecting Geberit AquaClean

Characteristics

- Self-supporting
- Frame with C profile 40/40 mm
- Powder-coated, Geberit blue
- Galvanised leg supports, steplessly adjustable 0 - 200 mm
- For structures on the floor, leg supports retractable to -50 mm
- Rotating foot plate, for installation in UW50 and UW75 profiles
- Frame with holes \varnothing 9 mm for fastening in wood frame construction
- Sound-absorbing actuator rods, tool-free, fast adjustment
- Concealed cistern fully insulated against condensation
- Concealed cistern for tool-free mounting and maintenance
- Frame height 1120 mm
- Tool-free fastening for outlet bend, sound-absorbing, adjustable in depth with 8 positions, adjustable range 45 mm
- Connection hose to angle stop valve can be screwed without tools
- Water supply connection at centre back or at the top
- UP320 concealed cistern with front actuation
- Dual flush with Sigma50, Sigma20, Samba or Bolero flush plate
- Single flush with Sigma10, Rumba, Mambo or Tango flush plate
- Dual flush with dual flush HyTouch pneumatic button
- Single flush with HyTronic infra-red flush or HyTouch single flush pneumatic buttons
- The protection cover protects the service opening against moisture and dirt
- Protection cover for service opening can be mounted without tools and cut to length
- Cistern can be reversed to give access from behind in a duct situation when flushed with HyTouch pneumatic buttons or HyTronic sensor flush
- Universal water supply connection compatible with MeplaFix, can be mounted and operated without tools
- Self-locking feet for tool-free alignment of the element. (Friction feet have to be locked with spanner)
- With accessories can be used for wall-hung WCs with small contact surfaces (111.847.00.1)
- To reduce flush volume to either 4.5/3 litre dual flush or 4/2 litre dual flush requires material number 241.894.00.1 (note: must be used with pans designed for low volume flush)

Product Details

Water supply pressure range	0.1 - 10 bar
Operating temperature water max.	25 °C
Flush volume, factory setting	6 and 3 l
Flush volume small range	3 - 4 l

Additional Note

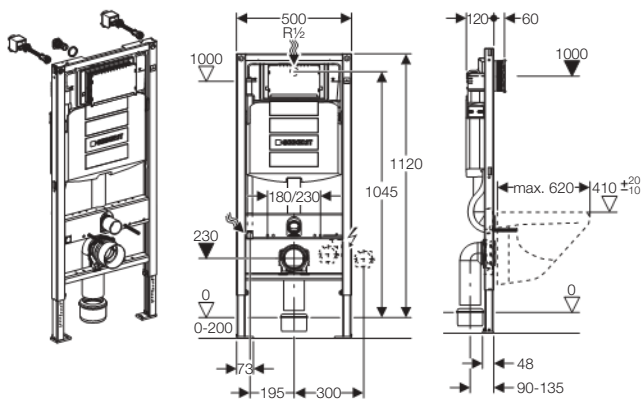
Water supply connection R 1/2" with integrated angle stop valve and hand wheel; Conduit pipe for the water supply connection of Geberit AquaClean; Flush bend; Protection plug; Protection housing for service opening; 2 threaded rods M12 for ceramics fastening; Fastening material

Excluded: Flush plate; Pre-wall brackets; WC outlet bend, HDPE, \varnothing 90 mm; Adaptor sleeve, HDPE, \varnothing 90/110 mm

Ordering Information

Article no.	PU1	PU4
111.384.00.5	1	12

Duofix WC frame 1.12 m with UP320 for Sigma flush plates - Pre-wall



Application

- For installation of a wall-hung WC with bolt fixings set at 180 or 230 mm centres
- For installation in a partial-height Duofix system wall in front of a solid or drywall construction
- For mounting in front of a solid or drywall construction
- For a screed of 0 - 200 mm (not in room height applications)
- For connecting Geberit AquaClean

Characteristics

- Self-supporting
- Frame with C profile 40/40 mm
- Powder-coated, Geberit blue
- Galvanised leg supports, steplessly adjustable 0 - 200 mm
- For structures on the floor, leg supports retractable to -50 mm
- Rotating foot plate, for installation in UW50 and UW75 profiles
- Frame with holes \varnothing 9 mm for fastening in wood frame construction
- Sound-absorbing actuator rods, tool-free, fast adjustment
- Concealed cistern fully insulated against condensation
- Concealed cistern for tool-free mounting and maintenance
- Frame height 1120 mm
- With wall brackets to allow up to a 200 mm duct. For larger ducts use extension bolts 111.887.00.1
- Tool-free fastening for outlet bend, sound-absorbing, adjustable in depth with 8 positions, adjustable range 45 mm
- Connection hose to angle stop valve can be screwed without tools
- Water supply connection at centre back or at the top
- UP320 concealed cistern with front actuation
- Dual flush with Sigma50, Sigma20, Samba or Bolero flush plate
- Single flush with Sigma10, Rumba, Mambo or Tango flush plate
- Dual flush with dual flush HyTouch pneumatic button
- Single flush with HyTronic infra-red flush or HyTouch single flush pneumatic buttons
- The protection cover protects the service opening against moisture and dirt
- Protection cover for service opening can be mounted without tools and cut to length
- Universal water supply connection compatible with MeplaFix, can be mounted and operated without tools
- Self-locking feet for tool-free alignment of the element. (Friction feet have to be locked with spanner)
- With accessories can be used for wall-hung WCs with small contact surfaces (111.847.00.1)
- To reduce flush volume to either 4.5/3 litre dual flush or 4/2 litre dual flush requires material number 241.894.00.1 (note: must be used with pans designed for low volume flush)

Product Details

Water supply pressure range	0.1 - 10 bar
Operating temperature water max.	25 °C
Flush volume, factory setting	6 and 3 l
Flush volume small range	3 - 4 l

Additional Note

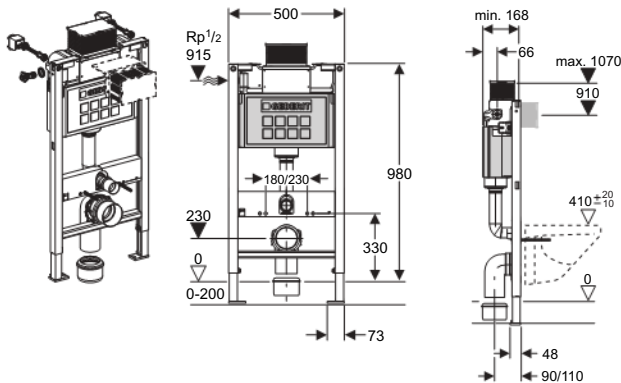
2 Duofix pre-wall brackets for system; Water supply connection R 1/2" with integrated angle stop valve and hand wheel; Conduit pipe for the water supply connection of Geberit AquaClean; Flush bend; Protection plug; Protection housing for service opening; 2 threaded rods M12 for ceramics fastening; WC connection set, \varnothing 90 mm; WC outlet bend, HDPE, \varnothing 90 mm; Adaptor sleeve, HDPE, \varnothing 90/110 mm; Fastening material

Excluded: Flush plate

Ordering Information

Article no.	PU1	PU4
111.383.00.5	1	12

Duofix WC frame 0.98 m with UP200 for Kappa flush plates - Pre-wall



Application

- For installation of a wall-hung WC with bolt fixings set at 180 or 230 mm centres
- For installation in a partial-height Duofix system wall in front of a solid or drywall construction
- For mounting in front of a solid or drywall construction
- For a screed of 0 - 200 mm

Characteristics

- Self-supporting
- Frame with C profile 40/40 mm
- Powder-coated, Geberit blue
- Galvanised leg supports, steplessly adjustable 0 - 200 mm
- For structures on the floor, leg supports retractable to -50 mm
- Rotating foot plate, for installation in UW50 and UW75 profiles
- Frame with holes \varnothing 9 mm for fastening in wood frame construction
- Fast adjustment of the actuator rods for flush plate
- Concealed cistern fully insulated against condensation
- Protection housing for service opening, can be cut to length
- Frame height 980 mm
- With wall brackets to allow up to a 200 mm duct. For larger ducts use extension bolts 111.887.00.1
- Concealed cistern UP200 with front or top actuation
- Dual flush with flush plates Artline or Kappa
- Dual flush with dual flush HyTouch pneumatic button
- Single flush with HyTouch single flush pneumatic and mechanical buttons
- Water supply connection left
- Fastening for outlet bend sound-absorbing
- Connection hose to angle stop valve can be screw-connected by hand
- To reduce flush volume to either 4.5/3 litre dual flush or 4/2 litre dual flush requires material number 242.310.00.1 (note: must be used with pans designed for low volume flush)

Product Details

Flush volume, factory setting	6 and 3 l
Flush volume small range	3 - 4 l
Water supply pressure range	0.1 - 10 bar
Operating temperature water max.	25 °C

Additional Note

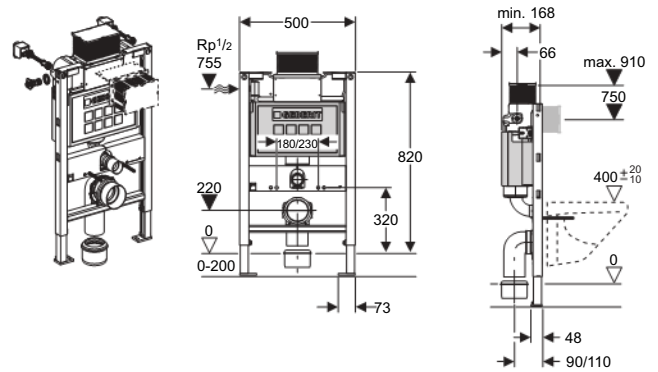
2 Duofix pre-wall brackets for system; Water supply connection R 1/2" with integrated angle stop valve; Protection housing for service opening; 2 threaded rods M12 for ceramics fastening; WC connection set, \varnothing 90 mm; WC outlet bend, HDPE, \varnothing 90 mm; Adaptor sleeve, \varnothing 90/110 mm; Protection plug; Fastening material

Excluded: Flush plate

Ordering Information

Article no.	PU1
111.292.00.1	1

Duofix WC frame 0.82 m with UP200 for Kappa flush plates - Pre-wall



Application

- For installation of a wall-hung WC with bolt fixings set at 180 or 230 mm centres
- For installation in a partial-height Duofix system wall in front of a solid or drywall construction
- For mounting in front of a solid or drywall construction
- For a screed of 0 - 200 mm

Characteristics

- Self-supporting
- Frame with C profile 40/40 mm
- Powder-coated, Geberit blue
- Galvanised leg supports, steplessly adjustable 0 - 200 mm
- For structures on the floor, leg supports retractable to -50 mm
- Rotating foot plate, for installation in UW50 and UW75 profiles
- Frame with holes \varnothing 9 mm for fastening in wood frame construction
- Fast adjustment of the actuator rods for flush plate
- Concealed cistern fully insulated against condensation
- Protection housing for service opening, can be cut to length
- Frame height 820 mm
- With wall brackets to allow up to a 200 mm duct. For larger ducts use extension bolts 111.887.00.1
- Concealed cistern UP200 with front or top actuation
- Dual flush with flush plates Artline or Kappa
- Dual flush with dual flush HyTouch pneumatic button
- Single flush with HyTouch single flush pneumatic and mechanical buttons
- Water supply connection left
- Fastening for outlet bend sound-absorbing
- Connection hose to angle stop valve can be screw-connected by hand
- To reduce flush volume to either 4.5/3 litre dual flush or 4/2 litre dual flush requires material number 242.310.00.1 (note: must be used with pans designed for low volume flush)

Product Details

Flush volume, factory setting	6 and 3 l
Flush volume small range	3 - 4 l
Water supply pressure range	0.1 - 10 bar
Operating temperature water max.	25 °C

Additional Note

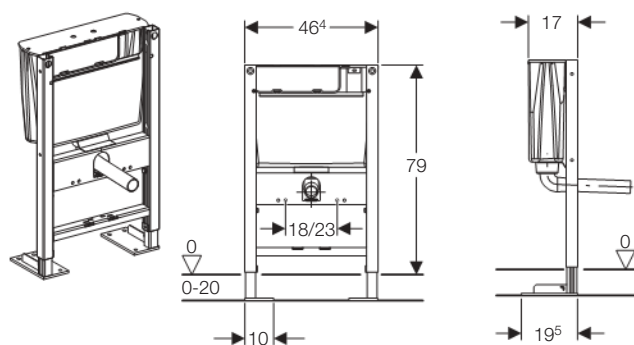
2 Duofix pre-wall brackets for system; Water supply connection R 1/2" with integrated angle stop valve; Protection housing for service opening; 2 threaded rods M12 for ceramics fastening; WC connection set, \varnothing 90 mm; WC outlet bend, HDPE, \varnothing 90 mm; Adaptor sleeve, \varnothing 90/110 mm; Protection plug; Fastening material

Excluded: Flush plate

Ordering Information

Article no.	PU1
111.242.00.1	1

Duofix WC frame 0.79 m with furniture concealed cistern - pneumatic **New**



Application

- For installation of a wall-hung WC with bolt fixings set at 180 or 230 mm centres
- For installation in low height bathroom furniture with minimum depth of 195 mm
- For dual flush

Characteristics

- Pneumatic flush actuation
- Actuation from front or from top
- Water supply connection at the bottom left
- Self-supporting
- Powder-coated, Geberit blue
- Galvanised leg supports, steplessly adjustable 0 - 200 mm
- For structures on the floor, leg supports retractable to 0 - 50 mm

Product Details

Water supply pressure range	0.1 - 10 bar
Operating temperature water max.	25 °C
Flush volume, factory setting	5.5 and 3 l

Additional Note

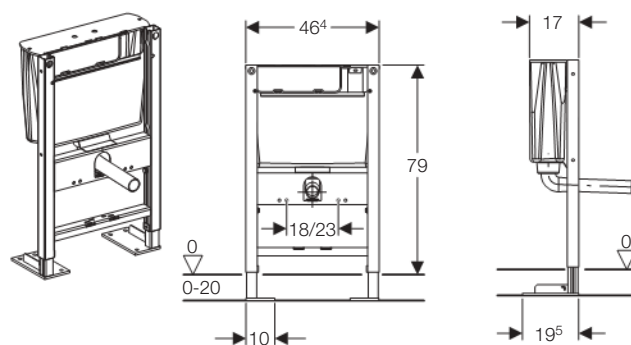
Dual flush actuator

Ordering Information

Article no.	
111.706.00.1	NEW

Available Q3 2010

Duofix WC frame 0.79 m with furniture concealed cistern - mechanical **New**



Application

- For installation of a wall-hung WC with bolt fixings set at 180 or 230 mm centres
- For installation in low height bathroom furniture with minimum depth of 195 mm
- For dual flush

Characteristics

- Flush actuation using cable actuator
- Actuation from front or from top
- Water supply connection at the bottom left
- Self-supporting
- Powder-coated, Geberit blue
- Galvanised leg supports, steplessly adjustable 0 - 200 mm
- For structures on the floor, leg supports retractable to 0 - 50 mm

Product Details

Water supply pressure range	0.1 - 10 bar
Operating temperature water max.	25 °C
Flush volume, factory setting	5.5 and 3 l

Additional Note

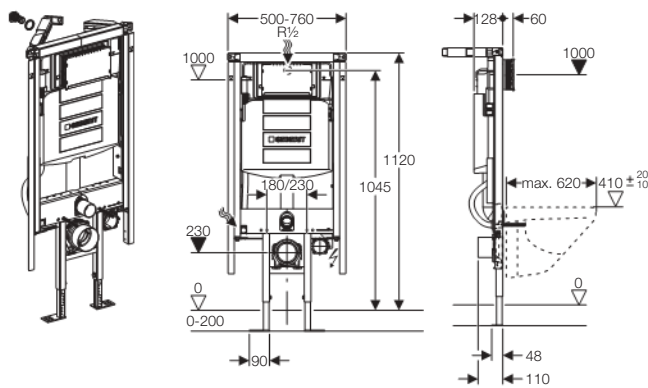
Dual flush actuator with cable actuators

Ordering Information

Article no.	
111.708.00.1	NEW

Available Q3 2010

Duofix WC corner frame 1.12 m with UP320



Application

- For installation of a wall-hung WC with bolt fixings set at 180 or 230 mm centres
- For installation as a corner element in front of a drywall, solid wall, Duofix system wall
- For a screed of 0 - 200 mm (not in room height applications)
- For connecting Geberit AquaClean

Characteristics

- Self-supporting
- Frame with C profile 40/40 mm
- Powder-coated, Geberit blue
- For structures on the floor, leg supports retractable to -50 mm
- Rotating foot plate, for installation in UW50 and UW75 profiles
- Frame with axis centre mark
- Sound-absorbing actuator rods, tool-free, fast adjustment
- Concealed cistern fully insulated against condensation
- Concealed cistern for tool-free mounting and maintenance
- Frame height 1120 mm
- Connection hose to angle stop valve can be screwed without tools
- Water supply connection at centre back or at the top
- UP320 concealed cistern with front actuation
- Dual flush with Sigma50, Sigma20, Samba or Bolero flush plate
- Single flush with Sigma10, Rumba, Mambo or Tango flush plate
- Dual flush with dual flush HyTouch pneumatic and mechanical buttons
- Single flush with HyTronic infra-red flush or HyTouch single flush pneumatic buttons
- The protection cover protects the service opening against moisture and dirt
- Protection cover for service opening can be mounted without tools and cut to length
- Universal water supply connection compatible with MeplaFix, can be mounted and operated without tools
- Telescopic profiles to fasten to the wall and for fastening panelling
- Telescopic profiles with detent mark
- Wall fixture variable from 30° to 60°
- Narrow leg supports allow for lateral offset of the drainage pipe
- Support for front, top and lateral panelling
- Variable element depth (see page 97)
- To reduce flush volume to either 4.5/3 litre dual flush or 4/2 litre dual flush requires material number 241.894.00.1 (note: must be used with pans designed for low volume flush)

Product Details

Water supply pressure range	0.1 - 10 bar
Operating temperature water max.	25 °C
Flush volume, factory setting	6 and 3 l
Flush volume small range	3 - 4 l

Additional Note

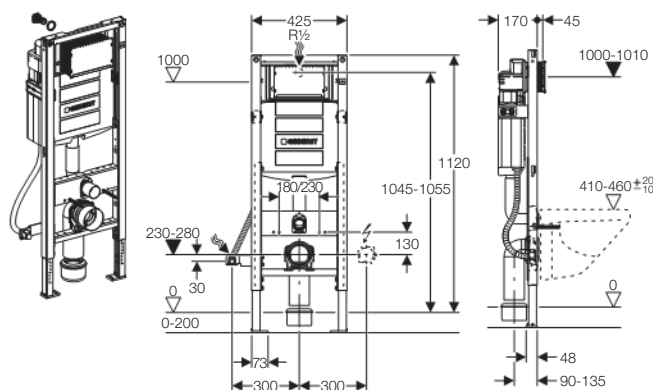
Water supply connection R 1/2" with integrated angle stop valve and hand wheel; Flush bend; Conduit pipe for the water supply connection of Geberit AquaClean; Protection plug; Installation kit for electrical connection; Protection housing for service opening; 2 threaded rods M12 for ceramics fastening; WC outlet pipe, HDPE, ø 90 mm; Adaptor sleeve, HDPE, ø 90/110 mm; WC connection set, ø 90 mm; Fastening material

Excluded: Flush plate

Ordering Information

Article no.	PU1	PU4
111.399.00.5	1	10

Duofix WC frame 1.12 m with UP320 for Disabled WC



Application

- For installation of a wall-hung WC with bolt fixings set at 180 or 230 mm centres
- For wall-hung WC with projection > 620 mm
- For installation in a partial-height Duofix system wall in front of a solid or drywall construction
- For installation in a room-high Duofix system wall
- For installation in a load bearing stud wall
- For mounting in front of a solid or drywall construction (order pre-wall brackets 111.844.00.1 separately)
- For installation in split-height pre-wall construction in front of a solid or drywall construction
- For a screed of 0 - 200 mm (not in room height applications)
- For disabled WC installations
- For connecting Geberit AquaClean

Characteristics

- Self-supporting
- Frame with C profile 40/40 mm
- Powder-coated, Geberit blue
- Galvanised leg supports, steplessly adjustable 0 - 200 mm
- For structures on the floor, leg supports retractable to -50 mm
- Rotating foot plate, for installation in UW50 and UW75 profiles
- Frame with holes \varnothing 9 mm for fastening in wood frame construction
- Sound-absorbing actuator rods, tool-free, fast adjustment
- Concealed cistern fully insulated against condensation
- Concealed cistern for tool-free mounting and maintenance
- Frame height 1120 mm
- Tool-free fastening for outlet bend, sound-absorbing, adjustable in depth with 8 positions, adjustable range 45 mm
- Connection hose to angle stop valve can be screwed without tools
- Water supply connection at centre back or at the top
- UP320 concealed cistern with front actuation
- Dual flush with Sigma50, Sigma20, Samba or Bolero flush plate
- Single flush with Sigma10, Rumba, Mambo or Tango flush plate
- Dual flush with dual flush HyTouch pneumatic button
- Single flush with HyTronic infra-red flush or HyTouch single flush pneumatic buttons
- The protection cover protects the service opening against moisture and dirt
- Protection cover for service opening can be mounted without tools and cut to length
- Universal water supply connection compatible with MeplaFix, can be mounted and operated without tools
- Self-locking feet for tool-free alignment of the element. (Friction feet have to be locked with spanner)
- With accessories can be used for wall-hung WCs with small contact surfaces (111.847.00.1)
- Adjustable installation height of the WC, 410 - 460 mm
- To reduce flush volume to either 4.5/3 litre dual flush or 4/2 litre dual flush requires material number 241.894.00.1 (note: must be used with pans designed for low volume flush)

Product Details

Water supply pressure range	0.1 - 10 bar
Operating temperature water max.	25 °C
Flush volume, factory setting	6 and 3 l
Flush volume small range	3 - 4 l

Additional Note

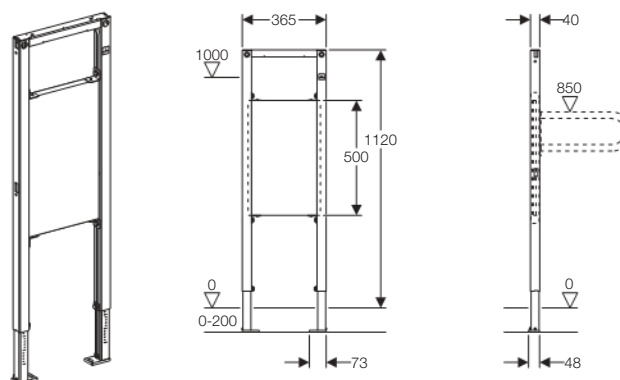
Water supply connection R 1/2" with integrated angle stop valve and hand wheel; Conduit pipe for the water supply connection of Geberit AquaClean; Flush bend; Protection plug; Protection housing for service opening; WC connection set, \varnothing 90 mm; WC outlet bend, HDPE, \varnothing 90 mm; Adaptor sleeve, HDPE, \varnothing 90/110 mm; 2 threaded rods M12 for ceramics fastening; Fastening material

Excluded: Flush plate

Ordering Information

Article no.	PU1	PU4
111.352.00.5	1	8

Duofix frame for support handles



Application

- For installation of grab rails
- For a screed of 0 - 200 mm
- For installation in a partial-height Duofix system wall in front of a solid or drywall construction
- For installation in a room-high Duofix system wall
- For mounting in front of a solid or drywall construction
- For installation in a load bearing stud work

Characteristics

- Frame height 1120 mm
- Frame with holes \varnothing 9 mm for fastening in wood frame construction
- Galvanised leg supports, steplessly adjustable 0 - 200 mm
- Self-supporting
- Frame with C profile 40/40 mm
- Powder-coated, Geberit blue
- For structures on the floor, leg supports retractable to -50 mm
- Rotating foot plate, for installation in UW50 and UW75 profiles
- Fastening plate for support handles made from veneer wood, water-resistant laminate, adjustable height and depth
- Self-locking feet for tool-free alignment of the element. (Friction feet have to be locked with spanner)

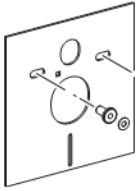
Additional Note

Fastening material

Ordering Information

Article no.	PU1	PU4
111.790.00.1	1	10

Sound insulation



Application

- For wall-hung WC and wall-hung bidet
- For sanitaryware with fixing centres 180 mm or 230 mm
- For decoupling solid-borne noise with WC and bidet
- Insulation to be trimmed after pan fixed

Characteristics

- White

Product Details

Product material	Polyethylene foam
------------------	-------------------

Additional Note

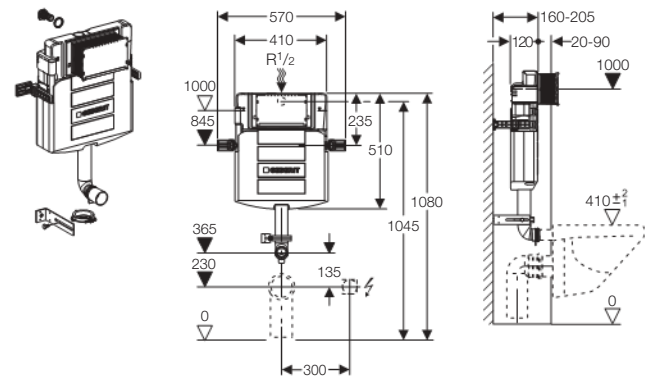
2 acoustic insulation sleeves

Ordering Information

Article no.	PU1	PU2	PU4
156.050.00.1	1	10	200

Concealed cisterns

Concealed dual flush cistern UP320 for Sigma flush plates



Application

- For concealed installation
- For back to wall floor-standing WCs

Characteristics

- Concealed cistern fully insulated against condensation
- Front flush
- Protection cover for service opening can be mounted without tools and cut to length
- Dual flush with Sigma50, Sigma20, Samba or Bolero flush plate
- Dual flush with dual flush HyTouch pneumatic and mechanical buttons
- Single flush with Sigma10, Rumba, Mambo or Tango flush plate
- Single flush with HyTronic infra-red flush or HyTouch single flush pneumatic and mechanical buttons
- Flushing unit for dual flush and single flush
- Adjustable flushing volume
- Water supply connection at centre back or at the top
- Flush bend fitted
- Installation height 1080 mm (can be cut down, depending on the WC pan performance)
- Installation depth adjustable, 160 - 205 mm
- Fastening bracket adjustable in depth
- Cistern can be reversed to give access from behind in a duct situation when flushed with HyTouch pneumatic buttons or HyTronic sensor flush
- To reduce flush volume to either 4.5/3 litre dual flush or 4/2 litre dual flush requires material number 241.894.00.1 (note: must be used with pans designed for low volume flush)

Product Details

Water supply pressure range	0.1 - 10 bar
Operating temperature water max.	25 °C
Flush volume, factory setting	6 and 3 l
Flush volume small range	3 - 4 l

Additional Note

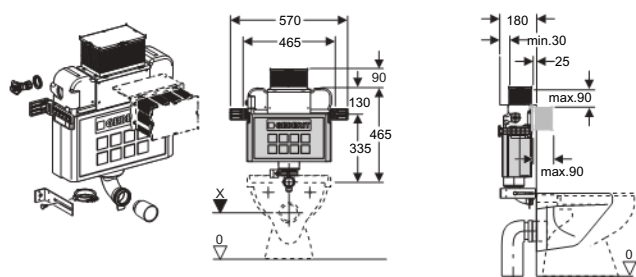
Water supply connection R 1/2" with integrated angle stop valve; Protection housing for service opening; Flush pipe ø 45 mm; Fastening for flush bend; Protection plug for flush pipe; 2 slotted flat irons; 2 fastening brackets, pre-mounted; Fastening material

Excluded: Flush plate

Ordering Information

Article no.	PU1	PU4
109.309.00.5	1	20

Concealed dual flush cistern UP200 for Kappa flush plates



Application

- For concealed installation
- For back to wall floor-standing WCs

Characteristics

- Actuation from front or from top
- Installation depth adjustable 18 cm - 24.5 cm
- Fully insulated against condensation
- Water supply connection left
- Dual flush with flush plates Artline or Kappa
- Dual flush with dual flush HyTouch pneumatic and mechanical buttons
- Single flush with HyTouch single flush pneumatic buttons
- Connection hose to angle stop valve can be screw-connected by hand
- Fast adjustment of the actuator rods for flush plate
- Cistern height 820 mm
- To reduce flush volume to either 4.5/3 litre dual flush or 4/2 litre dual flush requires material number 242.310.00.1 (note: must be used with pans designed for low volume flush)

Product Details

Flush volume, factory setting	6 and 3 l
Flush volume small range	3 - 4 l
Water supply pressure range	0.1 - 10 bar
Operating temperature water max.	25 °C

Additional Note

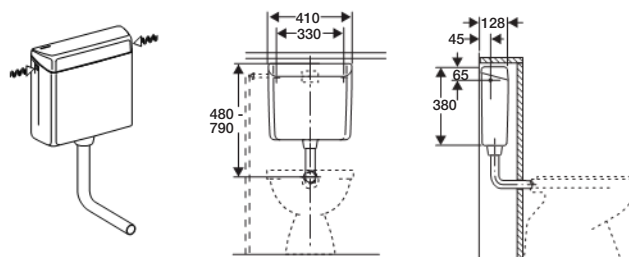
Water supply connection R 1/2" with integrated angle stop valve; Protection housing for service opening; Protection plug for flush bend; Fastening for flush bend; 2 fastening brackets, pre-mounted; Fastening material

Excluded: Flush plate

Ordering Information

Article no.	PU1	PU4
109.200.00.1	1	27

Concealed single flush cistern AP123



Application

- For concealed installation
- For back to wall floor-standing WCs

Characteristics

- Fully insulated against condensation
- Impuls380 side filling valve
- Cover without button
- Water supply connection left and right
- Flush pipe connection fitted
- Single flush with HyTouch single flush pneumatic buttons
- 300 mm extension pipe available (118.131.11.1)

Product Details

Flush volume, factory setting	6 l
Water supply pressure range	0.1 - 10 bar

Additional Note

Flush bend 39 x 35 cm, ø 50/44 mm; Pneumatic actuation unit; Fastening material

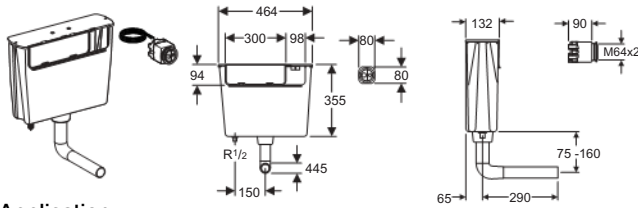
Excluded: Angle stop valve R 1/2"; Pneumatic push button

Ordering Information

Article no.	Colour	PU1	PU4
123.137.11.1	White	1	24

Product Guide
Concealed cisterns

Pneumatic operated concealed dual flush cistern for low height furniture



Application

- For installation in low height bathroom furniture (minimum height 790 mm from finished floor)
- For back to wall floor-standing WCs

Characteristics

- Pneumatic flush actuation
- Water supply connection at the bottom left
- Top or front access
- Includes dual flush pneumatic button

Product Details

Flush volume, factory setting	6 and 3 l
Water supply pressure range	0.1 - 10 bar
Operating temperature water max.	25 °C

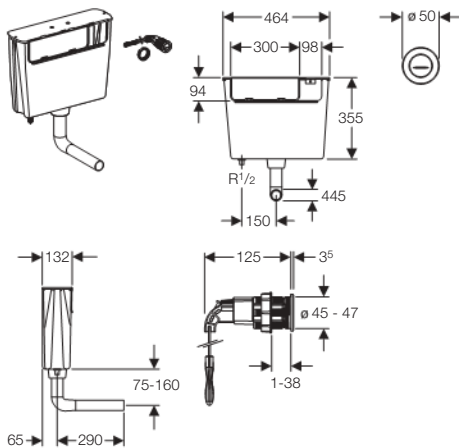
Additional Note

Dual flush actuator; Flush bend; Sleeve; Fastening material

Ordering Information

Article no.	PU1	PU4
109.720.00.1	1	24

Mechanical operated concealed dual flush cistern for low height furniture - plastic button



Application

- For installation in low height bathroom furniture (minimum height 790 mm from finished floor)
- For back to wall floor-standing WCs

Characteristics

- Flush actuation using cable actuator
- Water supply connection at the bottom left
- Top or front access
- Includes dual flush actuator with cable actuator

Product Details

Water supply pressure range	0.1 - 10 bar
Operating temperature water max.	25 °C
Flush volume, factory setting	6 and 3 l

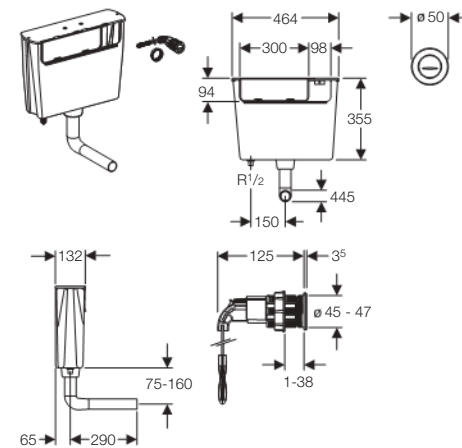
Additional Note

Flush bend; Sleeve; Fastening material; Dual flush actuator with cable actuators; Lifter for installation on flush valve

Ordering Information

Article no.	PU1
109.722.00.1	1

Mechanical operated concealed dual flush cistern for low height furniture - metal button



Application

- For installation in low height bathroom furniture (minimum height 790 mm from finished floor)
- For back to wall floor-standing WCs

Characteristics

- Flush actuation using cable actuator
- Water supply connection at the bottom left
- Top or front access
- Includes dual flush actuator with cable actuator

Product Details

Water supply pressure range	0.1 - 10 bar
Operating temperature water max.	25 °C
Flush volume, factory setting	6 and 3 l

Additional Note

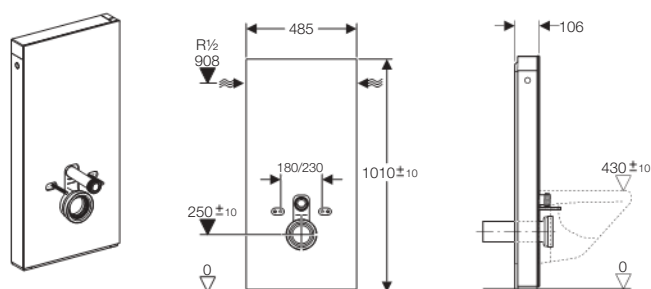
Flush bend; Sleeve; Fastening material; Dual flush actuator with cable actuators; Lifter for installation on flush valve

Ordering Information

Article no.	PU1
109.723.00.1	1

Monolith for wall mounted WC, glass

New



Application

- For wall mounted WC with 240 - 260 mm drainage outlet
- For use in wall outlet connections, outlet height in excess of 230 mm
- For mounting on finished floors
- For installation as part of renovation work or design aspect

Characteristics

- Includes a Duofix frame pre-wall mounted
- Self-supporting
- Compensation of dimensional tolerances
- Height compensation up to 20 mm
- Dual flush
- Adjustable flushing volume
- Fully insulated against condensation
- Water supply connection at the bottom left or right
- Front panel made of 8 mm glass
- Brushed and anodised aluminium side profiles
- Side base pods can be adjusted to skirting board

Product Details

Water supply pressure range	1 - 10 bar
Operating temperature water max.	25 °C
Flush volume, factory setting	6 and 3 l
Flush volume large range	4,5 / 6 l

Additional Note

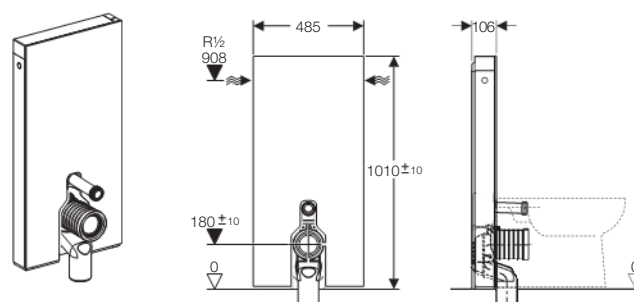
Cistern element with front and side cladding; Water supply connection set with angle stop valve; Flush pipe 230 x 230 mm, ø 50 / 44 mm; WC outlet pipe, HDPE, ø 90 mm; Adaptor sleeve, HDPE, ø 90/110 mm; 2 threaded rods M12 for ceramics fastening; Fastening material for solid wall; Fastening material for wall-hung WC

Ordering Information

Article no.	Colour	PU1	PU4
131.021.SI.1	NEW White glass / aluminium	1	6
131.021.SJ.1	NEW Black glass / aluminium	1	6

Monolith for floor mounted WC, glass

New



Application

- For close coupled WC with 170 - 190 mm drainage outlet
- For use in floor outlet connections
- For use in wall outlet connections, outlet height 180 mm
- For mounting on finished floors
- For installation as part of renovation work or design aspect

Characteristics

- Includes a Duofix frame pre-wall mounted
- Self-supporting
- Compensation of dimensional tolerances
- Height compensation up to 20 mm
- Dual flush
- Adjustable flushing volume
- Fully insulated against condensation
- Water supply connection at the bottom left or right
- Front panel made of 8 mm glass
- Brushed and anodised aluminium side profiles
- Side base pods can be adjusted to skirting board

Product Details

Water supply pressure range	0.1 - 10 bar
Operating temperature water max.	25 °C
Flush volume, factory setting	6 and 3 l
Flush volume large range	4,5 / 6 l

Additional Note

Cistern element with front and side cladding; Water supply connection set with angle stop valve; Flush pipe 230 x 230 mm, ø 50 / 44 mm; P-bend, PP, ø 90 mm ; Adaptor sleeve, HDPE, ø 90/110 mm; Rubber seal EPDM; Fastening material for solid wall

Ordering Information


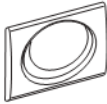
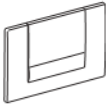
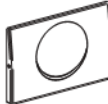

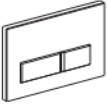

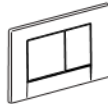
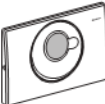
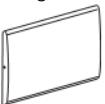

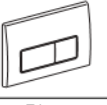
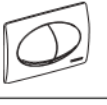
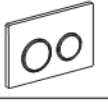











Article no.	Colour	PU1	PU4
131.002.SI.1	NEW White glass / aluminium	1	6
131.002.SJ.1	NEW Black glass / aluminium	1	6

Product Guide

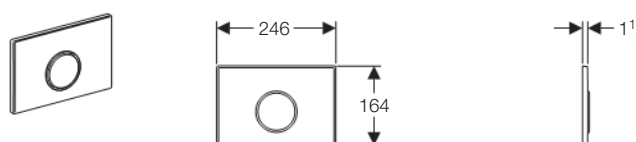
WC flush plates

WC flush plates

Compatibility - Flush plates and buttons

Flush plates				UP320	UP200	AP123
Sigma10 	Rumba 	Tango 	Mambo 	✓		
Sigma20 	Sigma50 	Samba 	Bolero 	✓		
HyTronic infra-red 				✓		
Large Access Cover Plate 				✓		
Kappa20 	Kappa50 	Artline 	Kappa21 		✓	
Small Access Cover Plate 					✓	
HyTouch single flush buttons						
Short wall palm 115.114.xx.1 241.199.xx.1 	Short wall finger 115.947.xx.1 241.198.xx.1 	Short wall palm 115.949.21.1 241.282.21.1 		115.114.xx.1 115.947.xx.1 115.949.21.1 115.943.21.1 115.941.xx.1	115.114.xx.1 115.947.xx.1 115.949.21.1 115.943.21.1 115.941.xx.1 111.942.xx.1	241.199.xx.1 241.198.xx.1 241.282.21.1 241.144.00.1 115.941.xx.1
Long wall finger 241.144.00.1 	Long wall finger 115.943.21.1 	Palm push 115.941.xx.1 				
HyTouch dual flush buttons						
Hand push 115.942.xx.1 	Finger push 115.999.21.1 	Finger push 115.070.21.x 		115.942.xx.1	115.070.21.x 115.999.21.1	
HyTronic infra-red buttons						
Sensor flush 				115.857.xx.1		

Sigma10 single flush plate for UP320



Application

- For Geberit concealed cistern UP300 and UP320
- For single flush
- Not suitable for UP200, Twinline and Artline cisterns

Product Details

Actuation force	< 20 N
Product material	Plastic

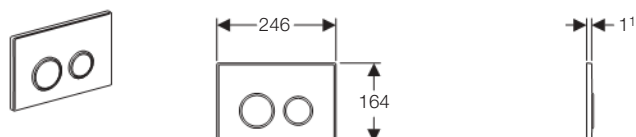
Additional Note

Mounting frame; Push rod; Distance bolts

Ordering Information

Article no.	Colour	PU1	PU2	PU4
115.758.KJ.1	White / gloss chrome / white	1	10	180
115.758.KK.1	White / gold-plated / white	1	10	180
115.758.KL.1	White / matt chrome / matt chrome	1	10	180
115.758.KM.1	Black / gloss chrome / black	1	10	180
115.758.KH.1	Gloss chrome / matt chrome / gloss chrome	1	10	180
115.758.KN.1	Matt chrome / gloss chrome / matt chrome	1	10	180

Sigma20 dual flush plate for UP320



Application

- For Geberit concealed cistern UP300 and UP320
- For dual flush
- Not suitable for UP200, Twinline and Artline cisterns

Product Details

Actuation force	< 20 N
Product material	Plastic

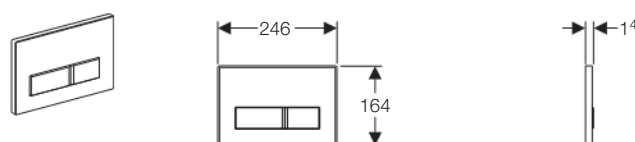
Additional Note

Mounting frame; Distance bolts; Actuator rods

Ordering Information

Article no.	Colour	PU1	PU2	PU4
115.778.KJ.1	White / gloss chrome / white	1	10	180
115.778.KK.1	White / gold-plated / white	1	10	180
115.778.KL.1	White / matt chrome / matt chrome	1	10	180
115.778.KM.1	Black / gloss chrome / black	1	10	180
115.778.KH.1	Gloss chrome / matt chrome / gloss chrome	1	10	180
115.778.KN.1	Matt chrome / gloss chrome / matt chrome	1	10	180

Sigma50 dual flush plate for UP320 - Bespoke cover



Application

- For Geberit concealed cistern UP300 and UP320
- For dual flush
- For customer to install a bespoke finish with max. of 3 mm depth
- Not suitable for UP200, Twinline and Artline cisterns

Product Details

Actuation force	< 20 N
-----------------	--------

Additional Note

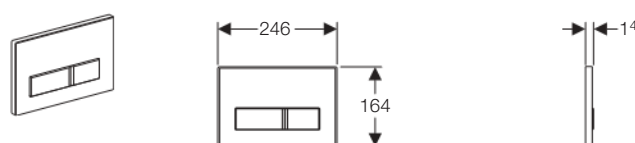
Mounting frame; Distance bolts; Actuator rods

Excluded: Design cover

Ordering Information

Article no.	PU1	PU2
115.788.00.1	1	5

Sigma50 dual flush plate for UP320 - Glass cover



Application

- For Geberit concealed cistern UP300 and UP320
- For dual flush
- Not suitable for UP200, Twinline and Artline cisterns

Product Details

Actuation force	< 20 N
Product material	Die-cast zinc/glass

Additional Note

Mounting frame; Distance bolts; Actuator rods

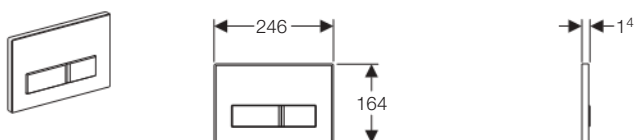
Ordering Information

Article no.	Colour	PU1	PU2
115.788.SC.1	White with ornament X	1	5
115.788.SE.1	Green satinised	1	5
115.788.SD.1	Smoked glass reflective	1	5

Product Guide

WC flush plates

Sigma50 dual flush plate for UP320 - Plastic cover



Application

- For Geberit concealed cistern UP300 and UP320
- For dual flush
- Not suitable for UP200, Twinline and Artline cisterns

Product Details

Actuation force	< 20 N
Product material	Die-cast zinc/plastic

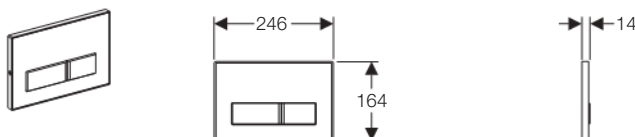
Additional Note

Mounting frame; Distance bolts; Actuator rods

Ordering Information

Article no.	Colour	PU1	PU2
115.788.DW.1	Black RAL 9005	1	5
115.788.11.1	White	1	5
115.788.EP.1	Pergamon	1	5

Sigma50 dual flush plate for UP320, Anti Vandal - Bespoke cover



Application

- For Geberit UP300 and UP320 concealed cistern
- For dual flush
- For installation in vandal resistant systems
- For customer to install a bespoke finish with maximum of 3 mm
- Not suitable for UP200, Twinline and Artline cisterns

Characteristics

- Can be locked with screws

Product Details

Actuation force	< 20 N
-----------------	--------

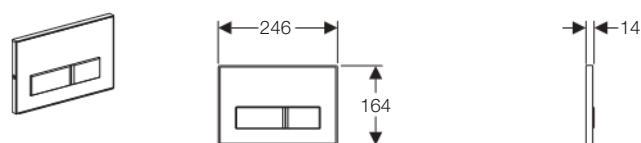
Additional Note

Mounting frame; Distance bolts; Actuator rods; Fastening material

Ordering Information

Article no.	PU1	PU2
115.785.00.1	1	5

Sigma50 dual flush plate for UP320, Anti Vandal - Plastic cover



Application

- For Geberit UP300 and UP320 concealed cistern
- For dual flush
- For Geberit concealed cistern UP300
- Not suitable for UP200, Twinline and Artline cisterns

Characteristics

- Can be locked with screws

Product Details

Actuation force	< 20 N
Product material	Die-cast zinc/plastic

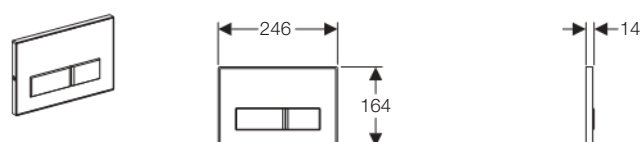
Additional Note

Mounting frame; Distance bolts; Actuator rods; Fastening material

Ordering Information

Article no.	Colour	PU1	PU2
115.785.11.1	White alpine	1	5
115.785.DW.1	Black RAL 9005	1	5
115.785.EP.1	Pergamon	1	5

Sigma50 dual flush plate for UP320, Anti Vandal - Glass cover



Application

- For Geberit UP300 and UP320 concealed cistern
- For dual flush
- Not suitable for UP200, Twinline and Artline cisterns

Characteristics

- Can be locked with screws

Product Details

Actuation force	< 20 N
Product material	Die-cast zinc/glass

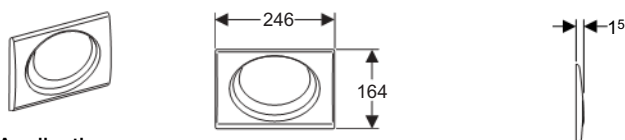
Additional Note

Mounting frame; Distance bolts; Actuator rods; Fastening material

Ordering Information

Article no.	Colour	PU1	PU2
115.785.SC.1	White with ornament x	1	5
115.785.SD.1	Smoked glass reflective	1	5
115.785.SE.1	Green glass satinised	1	5

Rumba single flush plate for UP320



Application

- For Geberit concealed cistern UP300 and UP320
- For single flush
- Not suitable for UP200, Twinline and Artline cisterns

Product Details

Actuation force	< 20 N
Product material	Plastic

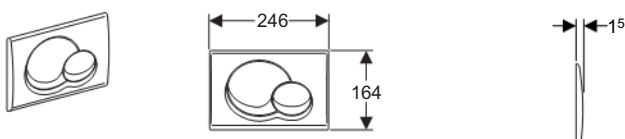
Additional Note

Push rod; Distance rods; Fastening material

Ordering Information

Article no.	Colour	PU1	PU2	PU4
115.750.11.1	White	1	10	180
115.750.21.1	Gloss chrome	1	10	180
115.750.46.1	Matt chrome	1	10	180
115.750.KB.1	Gloss chrome / structured chrome	1	10	

Samba dual flush plate for UP320



Application

- For Geberit concealed cistern UP300 and UP320
- For dual flush
- Not suitable for UP200, Twinline and Artline cisterns

Product Details

Actuation force	< 20 N
Product material	Plastic

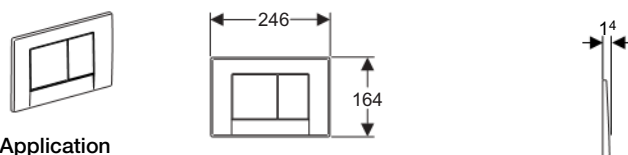
Additional Note

Push rods; Distance rods; Fastening material

Ordering Information

Article no.	Colour	PU1	PU2	PU4
115.770.10.1	Bahama beige	1	10	180
115.770.11.1	White	1	10	180
115.770.21.1	Gloss chrome	1	10	180
115.770.46.1	Matt chrome	1	10	180
115.770.CG.1	Manhattan	1	10	180
115.770.DK.1	Edelweiss	1	10	180
115.770.DT.1	Fine brass	1	10	
115.770.DW.1	Black RAL 9005	1	10	180
115.770.EP.1	Pergamon	1	10	180
115.770.FB.1	Agais	1	10	
115.770.FR.1	Star white	1	10	180
115.770.GM.1	Satinox	1	10	180
115.770.KB.1	Gloss chrome / structured chrome	1	10	180

Bolero dual flush plate for UP320



Application

- For Geberit concealed cistern UP300 and UP320
- For dual flush
- Not suitable for UP200, Twinline and Artline cisterns

Product Details

Actuation force	< 20 N
Product material	Plastic

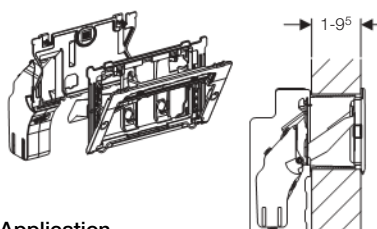
Additional Note

Push rods; Distance rods; Fastening material

Ordering Information

Article no.	Colour	PU1	PU2	PU4
115.777.10.1	Bahama beige	1	10	
115.777.11.1	White	1	10	180
115.777.21.1	Gloss chrome	1	10	180
115.777.46.1	Matt chrome	1	10	180
115.777.CG.1	Manhattan	1	10	
115.777.DK.1	Edelweiss	1	10	
115.777.DT.1	Fine brass	1	10	180
115.777.DW.1	Black RAL 9005	1	10	180
115.777.EP.1	Pergamon	1	10	180
115.777.FB.1	Agais	1	10	
115.777.FR.1	Star white	1	10	
115.777.GM.1	Satinox	1	10	180
115.777.KB.1	Gloss chrome / structured chrome	1	10	180

Insert for in cistern block for Sigma flush plates **New**



Application

- For Geberit concealed cistern UP300
- For Geberit UP320 concealed cistern
- For front actuation
- For adding in-cistern blocks without chlorine or oxidising components
- Not suitable for UP200, Twinline and Artline cisterns
- Not suitable for use with the following flush plates: "Samba", "Rumba", "Tango", "Mambo", "Twist"
- Not suitable for use with in-cistern blocks containing chlorine or oxidising components

Additional Note

Cover; Receptacle; Mounting frame with hinged frame

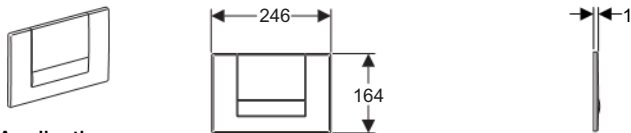
Ordering Information

Article no.		PU1	PU2
115.612.00.1	NEW	1	5

Product Guide

WC flush plates

Tango single flush plate, anti vandal for UP320



Application

- For Geberit concealed cistern UP300 and UP320
- For single flush
- Not suitable for UP200, Twinline and Artline cisterns

Characteristics

- Can be locked with anti-vandal screws

Product Details

Actuation force	< 20 N
Product material	Diecast zinc

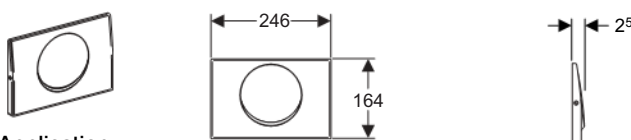
Additional Note

Push rod; Distance rods; Fastening material

Ordering Information

Article no.	Colour	PU1	PU2	PU4
115.760.11.1	White	1	10	180
115.760.21.1	Gloss chrome	1	10	180
115.760.45.1	Gold-plated	1	10	
115.760.46.1	Matt chrome	1	10	180
115.760.DT.1	Fine brass	1	10	
115.760.GM.1	Satinox	1	10	
115.760.HC.1	Palladium	1	10	180
115.760.KA.1	Gloss chrome / matt chrome	1	10	180

Mambo single flush plate for UP320



Application

- For Geberit concealed cistern UP300 and UP320
- For single flush
- Not suitable for UP200, Twinline and Artline cisterns

Characteristics

- Can be locked with anti-vandal screws

Product Details

Actuation force	< 20 N
Product material	Stainless steel

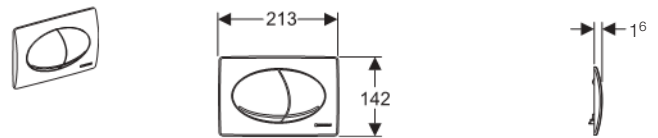
Additional Note

Push rod; Distance rods; Fastening material

Ordering Information

Article no.	PU1	PU2	PU4
115.751.00.1	1	10	180

Artline dual flush plate for UP200



Application

- For Geberit concealed cisterns UP200 and Artline
- For top/front actuation
- For dual flush
- Not suitable for UP300, UP320 and Twinline cisterns

Product Details

Product material	Plastic
------------------	---------

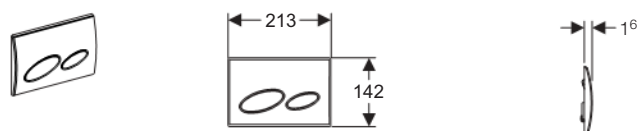
Additional Note

Push rods; Distance rods; Fastening material

Ordering Information

Article no.	Colour	PU1	PU2	PU4
115.666.11.1	White	1	10	200
115.666.21.1	Gloss chrome	1	10	200
115.666.46.1	Matt chrome	1	10	200

Kappa20 dual flush plate for UP200



Application

- For Geberit concealed cisterns UP200 and Artline
- For top/front actuation
- For dual flush
- Not suitable for UP300, UP320 and Twinline cisterns

Product Details

Product material	Plastic
------------------	---------

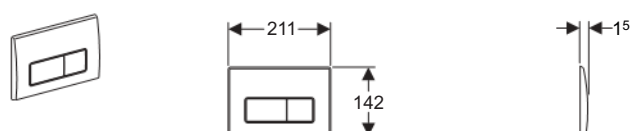
Additional Note

Push rods; Distance rods; Fastening material

Ordering Information

Article no.	Colour	PU1	PU2	PU4
115.228.10.1	Bahama beige	1	10	
115.228.11.1	White	1	10	200
115.228.21.1	Gloss chrome	1	10	200
115.228.46.1	Matt chrome	1	10	200
115.228.CG.1	Manhattan	1	10	
115.228.DK.1	Edelweiss	1	10	
115.228.DT.1	Fine brass	1	10	
115.228.DW.1	Black RAL 9005	1	10	
115.228.EP.1	Pergamon	1	10	200
115.228.FB.1	Agais	1	10	
115.228.FR.1	Star white	1	10	
115.228.GM.1	Satinox	1	10	
115.228.KB.1	Gloss chrome / structured chrome	1	10	

Kappa50 dual flush plate for UP200



Application

- For Geberit concealed cisterns UP200 and Artline
- For top/front actuation
- For dual flush
- Not suitable for UP300, UP320 and Twinline cisterns

Product Details

Product material	Diecast zinc
------------------	--------------

Additional Note

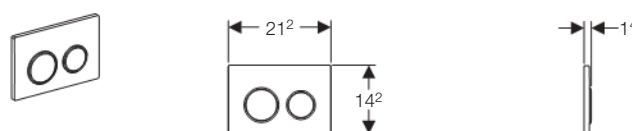
Push rods; Distance rods; Fastening material

Ordering Information

Article no.	Colour	PU1	PU2	PU4
115.260.11.1	White	1	10	180
115.260.21.1	Gloss chrome	1	10	180
115.260.46.1	Matt chrome	1	10	180
115.260.HC.1	Palladium	1	10	

Kappa21 dual flush plate

New



Application

- For Geberit concealed cistern UP200
- For top/front actuation
- For dual flush
- Not suitable for UP300, UP320 and Twinline cisterns

Product Details

Actuation force	< 20 N
Product material	Plastic

Additional Note

Mounting frame; Actuator rods; Distance bolts; Fastening material

Ordering Information

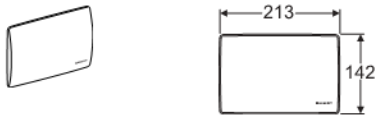
Article no.	Colour
115.240.KJ.1	NEW White / gloss chrome / white
115.240.KH.1	NEW Gloss chrome / matt chrome / gloss chrome
115.240.KM.1	NEW Black / gloss chrome / black
115.240.KK.1	NEW White / gold-plated / white
115.240.KL.1	NEW White / matt chrome / matt chrome
115.240.KN.1	NEW Matt chrome / gloss chrome / matt chrome

Note: Available Q4 2010

Product Guide

WC flush plates

Small access/cover plate for UP200



Application

- For Geberit concealed cisterns UP200 and Artline
- Not suitable for UP300, UP320 and Twinline cisterns

Product Details

Product material	Plastic
------------------	---------

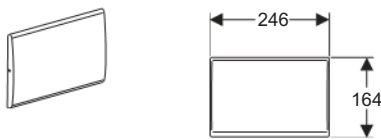
Additional Note

Distance rods; Fastening material

Ordering Information

Article no.	Colour	PU1
115.680.11.1	White	1
115.680.21.1	Gloss chrome	1

Large access/cover plate for UP320



Application

- For Geberit concealed cistern UP300 and UP320
- Not suitable for UP200, Twinline and Artline cisterns

Characteristics

- Can be locked with anti-vandal screws

Product Details

Product material	Diecast zinc
------------------	--------------

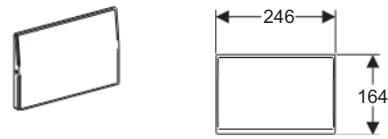
Additional Note

Distance rods; Fastening material

Ordering Information

Article no.	Colour	PU1	PU2	PU4
115.765.46.1	Matt chrome	1	10	180

Large access/cover plate for UP320



Application

- For Geberit concealed cistern UP300 and UP320
- Not suitable for UP200, Twinline and Artline cisterns

Characteristics

- Can be locked with anti-vandal screws

Product Details

Product material	Stainless steel
------------------	-----------------

Additional Note

Distance rods; Fastening material

Ordering Information

Article no.	PU1	PU2	PU4
115.798.00.1	1	10	180

Extension set for flush plates



Application

- For extending flush plates up to an outer wall of max. 180 mm
- For Rumba, Samba, Bolero, Tango, Twist, Mambo and Kappa flush plates
- For Artline flush plates with UP200 cistern
- Not suitable for Artline plates with Artline cistern

Additional Note

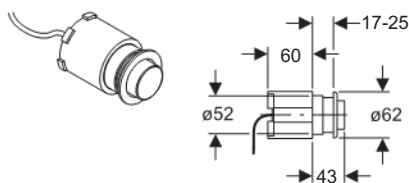
2 extensions for push rods; 2 extensions for distance rods; Fastening material

Ordering Information

Article no.	PU1	PU2
240.938.00.1	1	10

Remote flushing kits

HyTouch pneumatic short wall palm push button plastic with actuator



Application

- For pneumatic remote flush actuation of Geberit concealed cisterns UP200, UP300, UP320, Artline and Twinline
- For single flush
- For wall thicknesses of 17 - 25 mm
- Not suitable for AP123 or low height cisterns

Characteristics

- Round design

Product Details

Actuation force	< 25 N
Product Material	Plastic

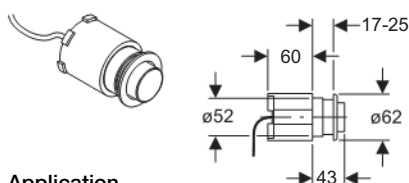
Additional Note

Pneumatic flush button with bellows; Pneumatic actuation unit; 2 m air hose

Ordering Information

Article no.	Colour	PU1	PU2	PU4
115.114.11.1	White	1	10	240
115.114.21.1	Gloss chrome	1	10	240

HyTouch pneumatic short wall palm push button plastic without actuator



Application

- For pneumatic remote flush actuation of Geberit concealed cistern AP123
- For single flush
- For wall thicknesses of 17 - 25 mm
- Not suitable for UP200, UP300, UP320, Artline and Twinline cisterns

Characteristics

- Round design

Product Details

Actuation force	< 25 N
Product Material	Plastic

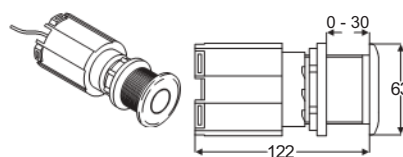
Additional Note

Pneumatic flush button with bellows

Ordering Information

Article no.	Colour	PU1	PU2	PU3
241.199.11.1	White	1	10	100
241.199.21.1	Gloss chrome	1	10	100

HyTouch pneumatic short wall finger push button metal with actuator



Application

- For pneumatic remote flush actuation of Geberit concealed cisterns UP200, UP300, UP320, Artline and Twinline
- For single flush
- For wall thicknesses of 0 - 30 mm
- 50 mm hole required
- Not suitable for AP123 or low height cisterns

Product Details

Actuation force	< 25 N
Product Material 00	Solid stainless steel
Product Material 21	Chrome plated brass

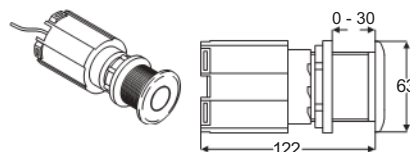
Additional Note

Pneumatic flush button with bellows; Pneumatic actuation unit; 2 m air hose

Ordering Information

Article no.	Colour	PU1	PU3	PU4
115.947.00.1	stainless steel	1	12	360
115.947.21.1	Gloss chrome	1	12	360

HyTouch pneumatic short wall finger push button metal without actuator



Application

- For pneumatic remote flush actuation of Geberit concealed cistern AP123
- For single flush
- For wall thicknesses of 0 - 30 mm
- Not suitable for UP200, UP300, UP320, Artline and Twinline cisterns

Product Details

Actuation force	< 25 N
Product Material 00	Solid stainless steel
Product Material 21	Chrome plated brass

Additional Note

Pneumatic flush button with bellows

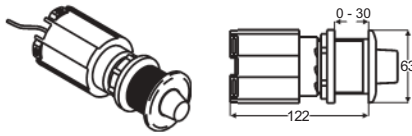
Ordering Information

Article no.	Colour	PU1	PU3	PU4
241.198.00.1	stainless steel	1	12	360
241.198.21.1	Gloss chrome	1	12	360

Product Guide

Remote flushing kits

HyTouch pneumatic short wall palm push button metal with actuator



Application

- For pneumatic remote flush actuation of Geberit concealed cisterns UP200, UP300, UP320, Artline and Twinline
- For single flush
- For wall thicknesses of 0 - 30 mm
- 50 mm hole required
- Not suitable for AP123 or low height cisterns

Product Details

Actuation force	< 25 N
Product Material	Chrome plated brass

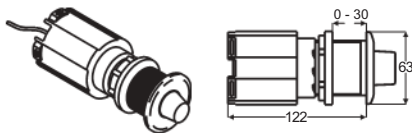
Additional Note

Pneumatic flush button with bellows; Pneumatic actuation unit; 2 m air hose

Ordering Information

Article no.	Colour	PU1	PU3	PU4
115.949.21.1	Gloss chrome	1	12	360

HyTouch pneumatic short wall palm push button metal without actuator



Application

- For pneumatic remote flush actuation of Geberit concealed cistern AP123
- For single flush
- For wall thicknesses of 0 - 30 mm
- Not suitable for UP200, UP300, UP320, Artline and Twinline cisterns

Product Details

Actuation force	< 25 N
Product Material	Chrome plated brass

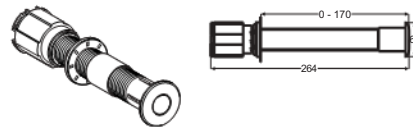
Additional Note

Pneumatic flush button with bellows

Ordering Information

Article no.	Colour	PU1	PU3	PU4
241.282.21.1	Gloss chrome	1	12	360

HyTouch pneumatic long wall push button metal



Application

- For pneumatic remote flush actuation of Geberit concealed cistern AP123
- For single flush
- For wall thicknesses of 0 - 170 mm
- Not suitable for UP200, UP300, UP320, Artline and Twinline cisterns

Product Details

Actuation force	< 25 N
Product Material	Solid stainless steel

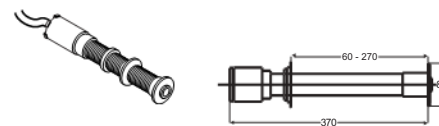
Additional Note

Pneumatic flush button with bellows and sleeve

Ordering Information

Article no.	PU1	PU2	PU4
241.144.00.1	1	8	240

HyTouch pneumatic long wall push button metal - single flush



Application

- For pneumatic remote flush actuation of Geberit concealed cisterns AP123, UP200, UP300, UP320, Artline and Twinline
- For single flush
- For wall thicknesses of 60 - 270 mm

Characteristics

- Round design

Product Details

Actuation force	< 25 N
Product Material	Metal

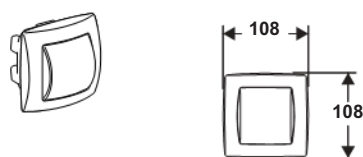
Additional Note

Pneumatic actuation unit; 2 m air hose

Ordering Information

Article no.	Colour	PU1	PU2	PU4
115.943.21.1	Gloss chrome	1	10	120

HyTouch pneumatic hand push button - single flush



Application

- For pneumatic remote single flush actuation of Geberit concealed cisterns UP200, UP300, UP320, AP123, Artline and Twinline
- For single flush

Characteristics

- Square design

Product Details

Actuation force	< 25 N
Product Material	Plastic

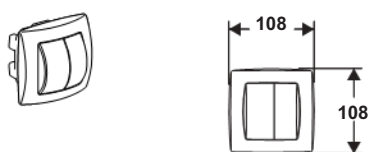
Additional Note

Conduit pipe, 1.7 m; 2 m air hose; Concealed housing; Pneumatic actuator; Protection housing; Fastening material

Ordering Information

Article no.	Colour	PU1	PU2	PU4
115.941.11.1	White	1	10	120
115.941.KA.1	Gloss chrome / matt chrome	1	10	120

HyTouch pneumatic hand push button - dual flush



Application

- For pneumatic remote flush actuation of Geberit concealed cisterns UP200, UP300, UP320, Artline and Twinline
- For dual flush
- Not suitable for AP123 or low height cisterns

Characteristics

- Square design

Product Details

Actuation force	< 25 N
Product Material	Plastic

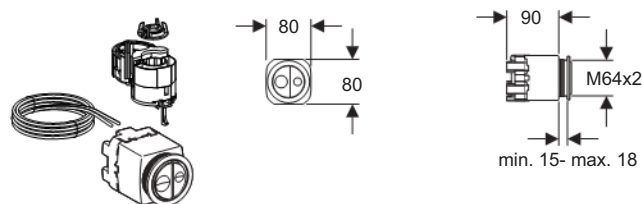
Additional Note

Conduit pipe, 1.7 m; 2 m air hose; Concealed housing; Pneumatic actuator; Protection housing; Fastening material

Ordering Information

Article no.	Colour	PU1	PU2	PU4
115.942.11.1	White	1	10	120
115.942.KA.1	Gloss chrome / matt chrome	1	10	120

HyTouch pneumatic finger push button - dual flush



Application

- For pneumatic remote flush actuation of Geberit concealed cisterns UP200, UP300, UP320, Artline and Twinline
- For dual flush
- 65 mm hole required
- Not suitable for AP123

Characteristics

- Round design

Product Details

Actuation force	< 25 N
Product Material	Plastic

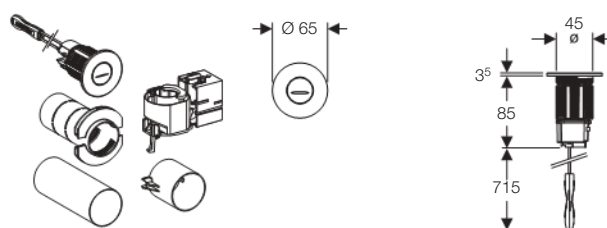
Additional Note

Pneumatic actuation unit; 2 m air hose

Ordering Information

Article no.	Colour	PU1	PU2	PU4
115.999.21.1	Gloss chrome	1	10	240

HyTouch mechanical finger push button - dual flush, metal



Application

- For drywall construction
- For Geberit concealed cistern UP200
- For dual flush
- 45 mm hole required
- Not suitable for UP320, UP300, Twinline or furniture cisterns

Characteristics

- Flush actuation using cable actuator
- Actuator made of die-cast zinc
- Fastening for actuator on the back with counter nut
- Length of the cable actuator cannot be changed

Additional Note

Dual flush actuator with cable actuators; Lifter for installation on flush valve; Protective pipe; Counter nut with extension; Fastening material

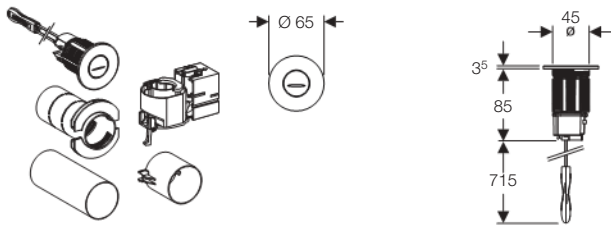
Ordering Information

Article no.	Colour	PU1
115.070.21.Z	Gloss chrome	1

Product Guide

Remote flushing kits

HyTouch mechanical finger push button - dual flush, plastic



Application

- For drywall construction
- For Geberit concealed cistern UP200
- For dual flush
- 45 mm hole required
- Not suitable for UP320, UP300, Twinline or furniture cisterns

Characteristics

- Flush actuation using cable actuator
- Actuator made of plastic
- Fastening for actuator on the back with counter nut
- Length of the cable actuator cannot be changed

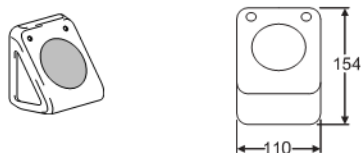
Additional Note

Dual flush actuator with cable actuators; Lifter for installation on flush valve; Protective pipe; Counter nut with extension; Fastening material

Ordering Information

Article no.	Colour	PU1	PU2	PU4
115.070.21.1	Gloss chrome	1	10	240

HyTouch pneumatic foot operated flush - wall mounted



Application

- For pneumatic remote single flush actuation of Geberit concealed cisterns UP200, UP300, UP320, AP123, 109.721.00.1, Artline and Twinline
- For single flush
- For installation in floor

Product Details

Actuation force	< 25 N
Product material	Stainless steel

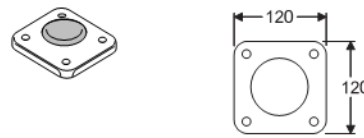
Additional Note

Conduit pipe, 3 m; Pneumatic hose, 3.5 m; Pneumatic actuation unit; Fastening material

Ordering Information

Article no.	PU1	PU2	PU4
115.918.00.1	1	10	120

HyTouch pneumatic foot operated flush - floor mounted



Application

- For pneumatic remote single flush actuation of Geberit concealed cisterns UP200, UP300, UP320, AP123, 109.721.00.1, Artline and Twinline
- For installation in floor
- For single flush

Product Details

Actuation force	< 25 N
Product Material	Stainless steel

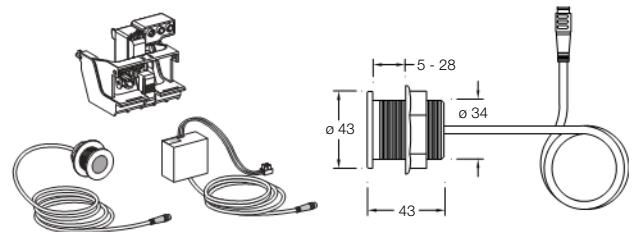
Additional Note

Conduit pipe, 3 m; Pneumatic hose, 3.5 m; Pneumatic actuation unit; Protection box made of EPS; Fastening material

Ordering Information

Article no.	PU1	PU2	PU4
115.939.00.16	1	10	120

HyTronic infra-red sensor flush



Application

- For automatic flush actuator of UP300, UP320 concealed cistern
- For single flush
- Not suitable for UP200, Twinline, AP123, low height cisterns and Artline cisterns

Product Details

Product material 00	Stainless steel
Product material 21	Chrome plated brass
Nominal voltage	230 V AC
Operating voltage	4.1 V DC

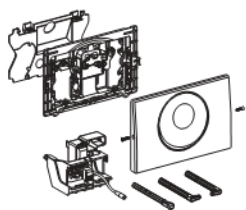
Additional Note

Power supply unit; Installation phase box for power supply unit; Electrical lifting device for flush valve with control electronics

Ordering Information

Article no.	Colour	PU1
115.857.00.1	stainless steel	1
115.857.21.1	Gloss chrome	1

HyTronic automatic infra-red WC flush, mains power



Application

- For use with Geberit UP300 and UP320 concealed cistern
- For use with the Mambo IRBA flush plate
- Not suitable for barrier-free and wheelchair-suitable construction
- Not suitable for UP200, Artline and Twinline cisterns
- Not suitable for AP123 or low height cisterns

Characteristics

- Infra-red user detection
- Self-calibrating infra-red control
- Infra-red detection with background fade-out
- Driven by servo motor
- Operation with extra-low voltage – no mains voltage in the cistern
- Self-calibrating electrical lifting device
- Low-noise lifting mechanism
- Automatic flush release
- Manual, touchless flush release
- Manual flush actuation using flush plate
- Triggers a full flush
- Minimum detection time can be set
- Initial flush can be set
- Repeat flush can be set
- Flush actuator made of stainless steel, can be connected with anti-vandal screws
- Flush actuation can be deactivated using HyTronic Clean Handy
- Flush actuation settings can be made and checked, using HyTronic Service Handy
- Plug connection with cross-polarity protection
- Easy maintenance and cleaning
- Easy installation and servicing

Product Details

Activation time	10 s
Activation time range	1 - 60 s
Default hygienic flush time	24 h
Hygienic flush time range	1 - 168 h
Mains frequency	50 Hz
Protection degree	IP 45
Nominal voltage	230 V AC
Operating voltage	4.1 V DC

Additional Note

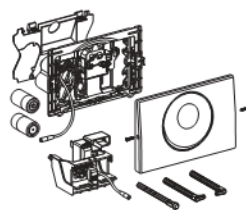
Actuator plate Mambo IRBA with infra-red window, stainless steel; Mounting frame with infra-red control, pre-mounted; Cradle with servo motor and lifting device, pre-mounted; Cover; Push rod; Distance rods; Fastening material

Excluded: Power supply unit

Ordering Information

Article no.	PU1
115.890.00.1	1

HyTronic automatic infra-red WC flush, battery powered



Application

- For use with Geberit UP300 and UP320 concealed cistern
- For use with the Mambo IRBA flush plate
- Not suitable for barrier-free and wheelchair-suitable construction
- Not suitable for UP200, Artline and Twinline cisterns
- Not suitable for AP123 or low height cisterns

Characteristics

- Infra-red user detection
- Self-calibrating infra-red control
- Infra-red detection with background fade-out
- Driven by servo motor
- Operation with extra-low voltage – no mains voltage in the cistern
- Self-calibrating electrical lifting device
- Low-noise lifting mechanism
- Automatic flush release
- Manual, touchless flush release
- Manual flush actuation using flush plate
- Triggers a full flush
- Minimum detection time can be set
- Initial flush can be set
- Repeat flush can be set
- Flush actuator made of stainless steel, can be connected with anti-vandal screws
- Flush actuation can be deactivated using HyTronic Clean Handy
- Flush actuation settings can be made and checked, using HyTronic Service Handy
- Plug connection with cross-polarity protection
- Easy maintenance and cleaning
- Easy installation and servicing

Product Details

Activation time	10 s
Activation time range	1 - 60 s
Default hygienic flush time	24 h
Hygienic flush time range	1 - 168 h
Battery type	LR20
Operating voltage	3 V DC

Additional Note

Actuator plate Mambo IRBA with infra-red window, stainless steel; Mounting frame with infra-red control and battery compartment, pre-mounted; Cradle with servo motor and lifting device, pre-mounted; 2 batteries, each 1.5 V LR20 alkaline; Cover; Push rod; Distance rods; Fastening material

Ordering Information

Article no.	PU1
115.891.00.1	1

Product Guide

Duofix basin frames

Roughing box and transformer for mains powered infra-red sensor flush



Application

- For concealed installation in solid or drywall construction
- For preparing the mains connection for WC flush actuators

Characteristics

- Transforming the mains voltage to extra-low voltage 4.1 V DC

Product Details

Mains frequency	50 Hz
Protection degree	IP 20
Nominal voltage	230 V AC

Additional Note

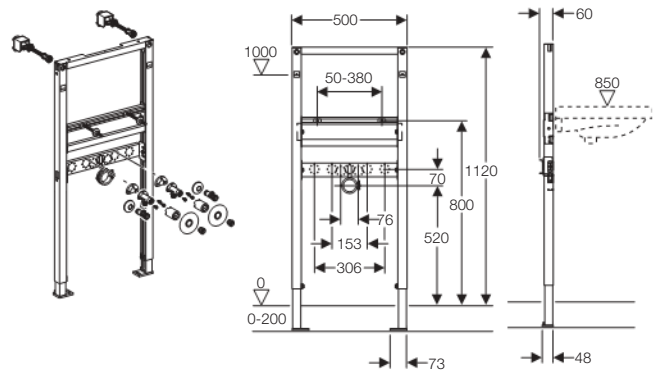
Power supply unit; Concealed outlet for drilling diameter \varnothing 76 mm; Cover for concealed outlet; Conduit pipe, 1.7 m; Pipe entry

Ordering Information

Article no.	PU1
115.861.00.1	1

Duofix basin frames

Duofix basin frame 1.12 m



Application

- For installation of a wall-hung washbasin with bolt fixings set at between 50 and 380 mm centres (with accessories 111.868.00.1 fastening distance can extend from 380 - 580 mm)
- For installation in a room-high Duofix system wall
- For installation in a load bearing stud wall
- For a screed of 0 - 200 mm

Characteristics

- Frame height 1120 mm
- Frame with holes \varnothing 9 mm for fastening in wood frame construction
- Washbasin fastening distance 50 - 380 mm
- Galvanised leg supports, steplessly adjustable 0 - 200 mm
- Self-supporting
- Frame with C profile 40/40 mm
- Powder-coated, Geberit blue
- For structures on the floor, leg supports retractable to -50 mm
- Rotating foot plate, for installation in UW50 and UW75 profiles
- Tap connection plate with adjustable height and depth
- Fastening for outlet bend, adjustable height
- With wall brackets to allow up to a 200 mm duct. For larger ducts use extension bolts 111.887.00.1
- With backplate elbows and chrome isolating valves with 3/8" BSP connection

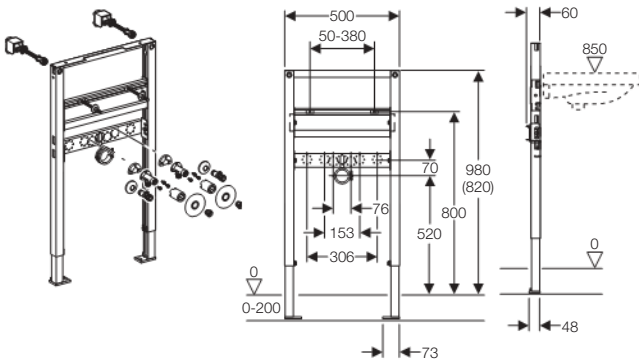
Additional Note

2 water connections R 1/2"; 2 angle stop valves R 1/2"; 2 Duofix pre-wall brackets for system; 2 threaded rods M10 for ceramics fastening; Fastening material

Ordering Information

Article no.	PU1
111.495.00.1	1

Duofix basin frame 0.82 / 0.98 m



Application

- For installation in a partial-height Duofix system wall in front of a solid or drywall construction
- For installation of a wall-hung washbasin with bolt fixings set at between 50 and 380 mm centres (with accessories 111.868.00.1 fastening distance can extend from 38 - 58 cm)
- For a screed of 0 - 200 mm

Characteristics

- Frame height 820 / 980 mm
- Frame with holes \varnothing 9 mm for fastening in wood frame construction
- Washbasin fastening distance 50 - 380 mm
- Galvanised leg supports, steplessly adjustable 0 - 200 mm
- Self-supporting
- Frame with C profile 40/40 mm
- Powder-coated, Geberit blue
- For structures on the floor, leg supports retractable to -50 mm
- Rotating foot plate, for installation in UW50 and UW75 profiles
- Tap connection plate with adjustable height and depth
- Fastening for outlet bend, adjustable height
- With wall brackets to allow up to a 200 mm duct. For larger ducts use extension bolts 111.887.00.1
- With backplate elbows and chrome isolating valves with 3/8" BSP connection

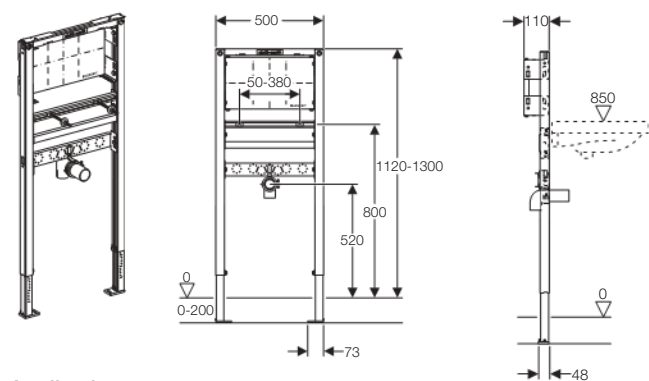
Additional Note

2 water connections R 1/2"; 2 angle stop valves R 1/2"; 2 Duofix pre-wall brackets for system; 2 threaded rods M10 for ceramics fastening; Fastening material

Ordering Information

Article no.	PU1
111.494.00.1	1

Duofix basin frame 1.12 - 1.3 m for wall mounted taps



Application

- For installation of a wall-hung washbasin with bolt fixings set at between 50 and 380 mm centres (with accessories 111.868.00.1 fastening distance can extend from 380 - 580 mm)
- For installation in a room-high Duofix system wall
- For installation in a load bearing stud wall
- For a screed of 0 - 200 mm
- For washbasin with concealed wall-mounted tap
- Disc for mounting the concealed wall-mounted tap

Characteristics

- Element height 1120 mm to 1300 mm
- Frame with holes \varnothing 9 mm for fastening in wood frame construction
- Washbasin fastening distance 50 - 380 mm
- Galvanised leg supports, steplessly adjustable 0 - 200 mm
- Self-supporting
- Frame with C profile 40/40 mm
- Powder-coated, Geberit blue
- For structures on the floor, leg supports retractable to -50 mm
- Rotating foot plate, for installation in UW50 and UW75 profiles
- Fastening for outlet bend, adjustable height
- Fastening plate for concealed fittings, veneered wood, waterproof bonded, adjustable in height and depth
- Self-locking feet for tool-free alignment of the element. (Friction feet have to be locked with spanner)

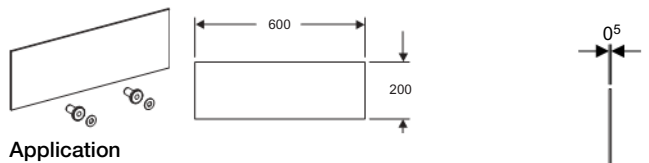
Additional Note

Outlet bend \varnothing 50 mm; Seal \varnothing 44/32 mm; 2 threaded rods M10 for ceramics fastening; Fastening material

Ordering Information

Article no.	PU1	PU4
111.493.00.1	1	10

Sound dampening set for washbasin



Application

- For solid-borne noise insulation with washbasins

Product Details

Product material	Polyethylene foam
------------------	-------------------

Additional Note

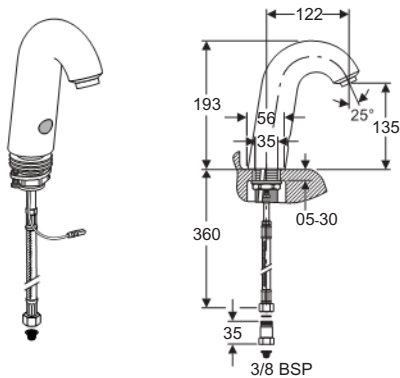
2 acoustic insulation sleeves

Ordering Information

Article no.	PU1
156.051.00.1	1

Taps

HyTronic60 infra-red sensor tap without mixer, mains powered



Application

- For installation in washbasin or work top
- For cold or mixed water connection

Characteristics

- Cleaning agent proof
- Automatic triggering
- Self-calibrating infra-red control
- Electrical power supply via power supply unit
- Vandal-proof
- Setting and interrogation option with HyTronic Service Handy

Product Details

Product material	Chrome-plated brass
Activation distance factory setting	220 mm
Activation distance adjustment range	50 - 220 mm
Humidity	max. 100 % relative
Air temperature range	1 - 40 °C
Operating temperature mixed water max.	max. 45 °C
Maximum hot water temperature	90 °C
Mains frequency	50 Hz
Nominal voltage	230 V AC
Operating voltage	9 V DC
Flow rate	6 l/min
Calculated flow rate	0.07 l/s
Water supply pressure min.	1 bar
Press Op Range	1 - 8 bar
Maximum duration of flow	40 - 60 s
Factory set max. duration	40 s

Additional Note

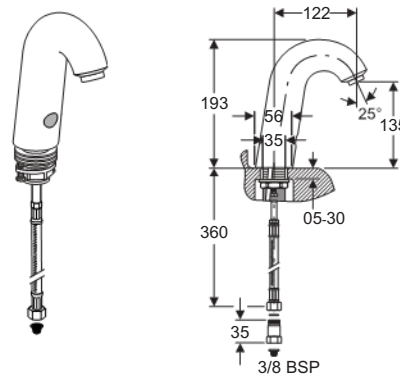
Connection cable 1.7 m for power supply unit; Metal-reinforced hose R 3/8"; Filter; Fastening material

Excluded: Power supply unit

Ordering Information

Article no.	Colour	PU1	PU4
115.740.21.1	Gloss chrome	1	62

HyTronic60 infra-red sensor tap without mixer, battery powered



Application

- For installation in washbasin or work top
- For cold or mixed water connection

Characteristics

- Cleaning agent proof
- Automatic triggering
- Self-calibrating infra-red control
- Battery-operated
- Vandal-proof
- Setting and interrogation option with HyTronic Service Handy

Product Details

Product material	Chrome-plated brass
Activation distance factory setting	220 mm
Activation distance adjustment range	50 - 220 mm
Humidity	max. 100 % relative
Air temperature range	1 - 40 °C
Operating temperature mixed water max.	max. 45 °C
Maximum hot water temperature	90 °C
Battery type	CR - P2 (6 V)
Operating voltage	6 V DC
Flow rate	6 l/min
Calculated flow rate	0.07 l/s
Water supply pressure min.	1 bar
Press Op Range	1 - 8 bar
Maximum duration of flow	40 - 60 s
Factory set max. duration	40 s

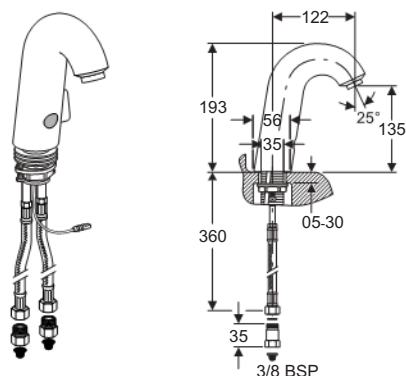
Additional Note

6 V battery; Metal-reinforced hose R 3/8"; Filter; Fastening material

Ordering Information

Article no.	Colour	PU1	PU4
115.733.21.1	Gloss chrome	1	62

HyTronic60 infra-red sensor tap with mixing lever, mains powered



Application

- For installation in washbasin or work top
- For cold and hot water connection

Characteristics

- Cleaning agent proof
- Integrated mixer for temperature setting
- Temperature can be manually adjusted
- Automatic triggering
- Self-calibrating infra-red control
- Electrical power supply via power supply unit
- Vandal-proof
- Setting and interrogation option with HyTronic Service Handy

Product Details

Product material	Chrome-plated brass
Activation distance factory setting	220 mm
Activation distance adjustment range	50 - 220 mm
Humidity	max. 100 % relative
Air temperature range	1 - 40 °C
Differentiated pressure CW/WW	max. 1.5 bar
Water supply pressure min.	1 bar
Press Op Range	1 - 8 bar
Temperature during operation max.	short time max. 90 °C
Mains frequency	50 Hz
Nominal voltage	230 V AC
Operating voltage	9 V DC
Flow rate	6 l/min
Calculated flow rate	0.07 l/s
Maximum duration of flow	40 - 60 s
Factory set max. duration	40 s

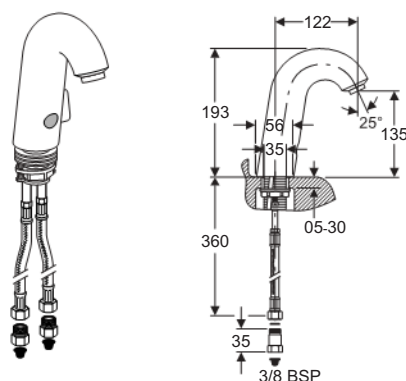
Additional Note

Connection cable 1.7 m for power supply unit; 2 metal-reinforced hoses R 3/8"; 2 non-return valves 3/8"; 2 filters; Fastening material
Excluded: Power supply unit

Ordering Information

Article no.	Colour	PU1	PU4
115.738.21.1	Gloss chrome	1	62

HyTronic60 infra-red sensor tap with mixing lever, battery powered



Application

- For public and semi-public areas
- For cold and hot water connection
- For installation in washbasin or work top

Characteristics

- Cleaning agent proof
- Integrated mixer for temperature setting
- Temperature can be manually adjusted
- Automatic triggering
- Self-calibrating infra-red control
- Battery-operated
- Vandal-proof
- Setting and interrogation option with HyTronic Service Handy
- Battery-operated
- Volume flow control with aerator

Product Details

Product material	Chrome-plated brass
Activation distance factory setting	220 mm
Activation distance adjustment range	50 - 220 mm
Humidity	max. 100 % relative
Air temperature range	1 - 40 °C
Differentiated pressure CW/WW	max. 1.5 bar
Water supply pressure min.	1 bar
Press Op Range	1 - 8 bar
Temperature during operation max.	short time max. 90 °C
Battery type	CR - P2 (6 V)
Operating voltage	6 V DC
Flow rate	6 l/min
Calculated flow rate	0.07 l/s
Maximum duration of flow	40 - 60 s
Factory set max. duration	40 s

Additional Note

6 V battery; 2 metal-reinforced hoses R 3/8"; 2 non-return valves 3/8"; 2 filters; Fastening material; Key for aerator

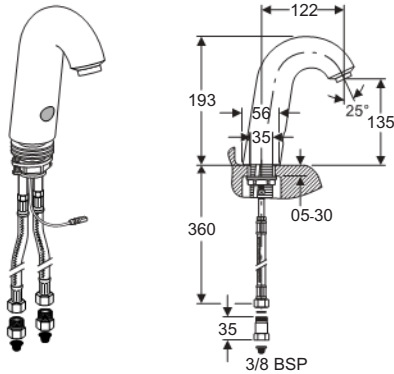
Ordering Information

Article no.	Colour	PU1	PU4
115.723.21.1	Gloss chrome	1	62

Product Guide

Taps

HyTronic60 infra-red sensor tap with internal mixing, mains powered



Application

- For installation in washbasin or work top
- For cold and hot water connection

Characteristics

- Cleaning agent proof
- Automatic triggering
- Self-calibrating infra-red control
- Electrical power supply via power supply unit
- Vandal-proof
- Setting and interrogation option with HyTronic Service Handy
- Temperature can be preset during installation

Product Details

Product material	Chrome-plated brass
Activation distance factory setting	220 mm
Activation distance adjustment range	50 - 220 mm
Humidity	max. 100 % relative
Air temperature range	1 - 40 °C
Differentiated pressure CW/WW	max. 1.5 bar
Water supply pressure min.	1 bar
Press Op Range	1 - 8 bar
Temperature during operation max.	short time max. 90 °C
Mains frequency	50 Hz
Nominal voltage	230 V AC
Operating voltage	9 V DC
Flow rate	6 l/min
Calculated flow rate	0.07 l/s
Maximum duration of flow	40 - 60 s
Factory set max. duration	40 s

Additional Note

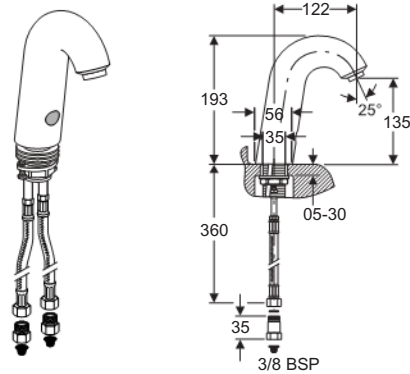
Connection cable 1.7 m for power supply unit; 2 metal-reinforced hoses R 3/8"; 2 non-return valves 3/8"; 2 filters; Fastening material

Excluded: Power supply unit

Ordering Information

Article no.	Colour	PU1	PU4
115.739.21.1	Gloss chrome	1	62

HyTronic60 infra-red sensor tap with internal mixing, battery powered



Application

- For installation in washbasin or work top
- For cold and hot water connection

Characteristics

- Cleaning agent proof
- Automatic triggering
- Self-calibrating infra-red control
- Battery-operated
- Vandal-proof
- Setting and interrogation option with HyTronic Service Handy
- Temperature can be preset during installation
- Volume flow control with aerator

Product Details

Product material	Chrome-plated brass
Activation distance factory setting	220 mm
Activation distance adjustment range	50 - 220 mm
Humidity	max. 100 % relative
Air temperature range	1 - 40 °C
Differentiated pressure CW/WW	max. 1.5 bar
Water supply pressure min.	1 bar
Press Op Range	1 - 8 bar
Temperature during operation max.	short time max. 90 °C
Battery type	CR - P2 (6 V)
Operating voltage	6 V DC
Flow rate	6 l/min
Calculated flow rate	0.07 l/s
Maximum duration of flow	40 - 60 s
Factory set max. duration	40 s

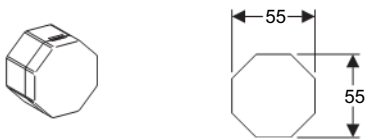
Additional Note

6 V battery; 2 metal-reinforced hoses R 3/8"; 2 non-return valves 3/8"; 2 filters; Fastening material; Key for aerator

Ordering Information

Article no.	Colour	PU1	PU4
115.725.21.1	Gloss chrome	1	62

Transformer for HyTronic60 tap



Application

- For concealed installation
- For parallel connection of up to six Geberit washbasin faucets with infra-red control

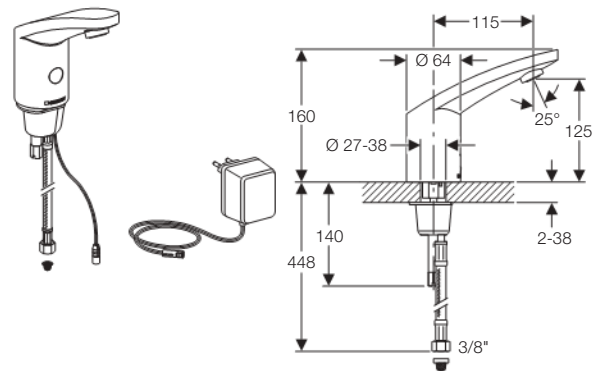
Product Details

Mains frequency	50 Hz
Nominal voltage	230 V AC
Operating voltage	9 V DC

Ordering Information

Article no.	PU1
241.692.00.1	1

HyTronic185 infra-red sensor tap without mixer, mains powered New



Application

- For cold or mixed water connection
- For extracting tap water
- For public and semi-public areas

Characteristics

- Temperature is not adjustable
- Automatic triggering
- Self-calibrating infra-red control
- Vandal-proof
- Volume flow control with aerator
- Can be changed from mains operation to battery operation
- Various functions can be set manually
- Watersaver program adjustable
- Interval flush program adjustable
- Integrated check valve
- Electrical power supply via power supply unit
- Requires transformer 241.672.00.1 or 241.631.00.1
- European 2 pin plug and transformer to be cut off

Product Details

Flow rate with aerator	6.0 l/min
Product material	Chrome-plated brass
Activation distance factory setting	160 - 180 mm
Activation distance adjustment range	10 - 330 mm
Flow rate	> 0.1 l/s
Humidity	max. 100 % relative
Press Op Range	0.5 - 8 bar
Temperature during operation max.	short time max. 90 °C
Temperature range during operation	1 - 40 °C
Mains frequency	50 Hz
Nominal voltage	230 V AC
Operating voltage	12 V DC

Additional Note

Metal-reinforced hose R 3/8"; Filter; Key for aerator; 1.5 m connection cable; Power supply unit; Fastening material

Ordering Information

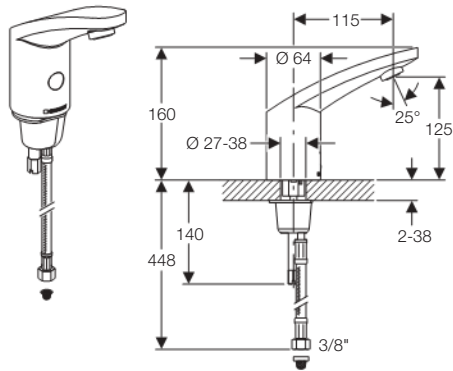
Article no.	Colour	PU1	PU4
116.135.21.1	NEW Gloss chrome	1	81

Product Guide

Taps

HyTronic185 infra-red sensor tap without mixer, battery powered

New



Application

- For cold or mixed water connection
- For extracting tap water
- For public and semi-public areas

Characteristics

- Temperature is not adjustable
- Automatic triggering
- Self-calibrating infra-red control
- Vandal-proof
- Volume flow control with aerator
- Can be changed from mains operation to battery operation
- Various functions can be set manually
- Watersaver program adjustable
- Interval flush program adjustable
- Integrated check valve
- Power supply by battery
- Battery is sufficient to activate the water flow 200000 times
- Warning if the battery is low
- Energy saving mode can be set

Product Details

Flow rate with aerator	6.0 l/min
Product material	Chrome-plated brass
Activation distance factory setting	160 - 180 mm
Activation distance adjustment range	10 - 330 mm
Flow rate	> 0.1 l/s
Humidity	max. 100 % relative
Press Op Range	0.5 - 8 bar
Temperature during operation max.	short time max. 90 °C
Temperature range during operation	1 - 40 °C
Battery type	CR - P2 (6 V)
Operating voltage	6 V DC

Additional Note

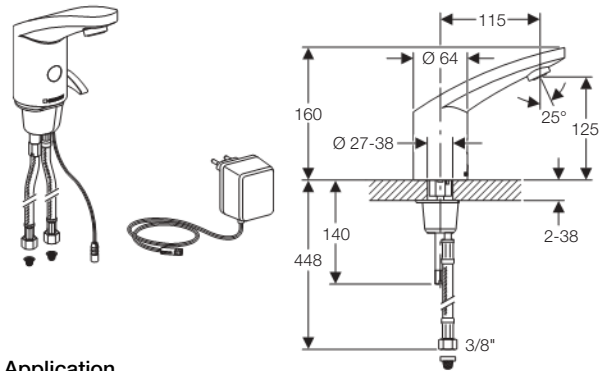
Metal-reinforced hose R 3/8"; Filter; 6 V battery; Key for aerator; Fastening material

Ordering Information

Article no.	Colour	PU1	PU4
116.235.21.1	NEW Gloss chrome	1	81

HyTronic185 infra-red sensor tap with mixing lever, mains powered

New



Application

- For cold and hot water connection
- For extracting tap water
- For public and semi-public areas

Characteristics

- Temperature adjustment via the mixer lever on the side
- Unmixed hot or cold water cannot be adjusted
- Proportion of hot water can be limited
- Automatic triggering
- Self-calibrating infra-red control
- Vandal-proof
- Volume flow control with aerator
- Can be changed from mains operation to battery operation
- Various functions can be set manually
- Watersaver program adjustable
- Interval flush program adjustable
- Integrated check valve
- Electrical power supply via power supply unit
- Requires transformer 241.672.00.1 or 241.631.00.1
- European 2 pin plug and transformer to be cut off

Product Details

Differentiated pressure CW/WW	max. 1.5 bar
Flow rate with aerator	6.0 l/min
Product material	Chrome-plated brass
Activation distance factory setting	160 - 180 mm
Activation distance adjustment range	10 - 330 mm
Flow rate	> 0.1 l/s
Humidity	max. 100 % relative
Press Op Range	0.5 - 8 bar
Temperature during operation max.	short time max. 90 °C
Temperature range during operation	1 - 40 °C
Mains frequency	50 Hz
Nominal voltage	230 V AC
Operating voltage	12 V DC

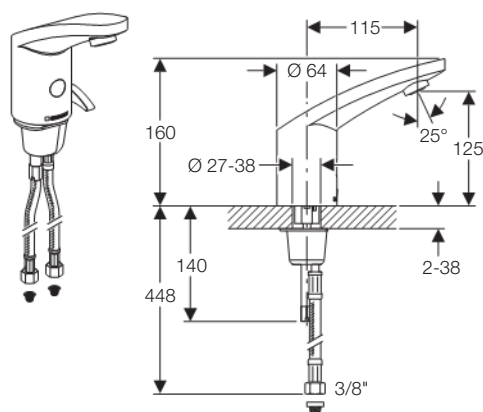
Additional Note

2 metal-reinforced hoses R 3/8"; 2 filters; Key for aerator; 1.5 m connection cable; Power supply unit; Fastening material

Ordering Information

Article no.	Colour	PU1	PU4
116.155.21.1	NEW Gloss chrome	1	81

HyTronic185 infra-red sensor tap with mixing lever, battery powered **New**



Application

- For cold and hot water connection
- For extracting tap water
- For public and semi-public areas

Characteristics

- Temperature adjustment via the mixer lever on the side
- Unmixed hot or cold water cannot be adjusted
- Proportion of hot water can be limited
- Automatic triggering
- Self-calibrating infra-red control
- Vandal-proof
- Volume flow control with aerator
- Can be changed from mains operation to battery operation
- Various functions can be set manually
- Watersaver program adjustable
- Interval flush program adjustable
- Integrated check valve
- Power supply by battery
- Battery is sufficient to activate the water flow 200000 times
- Warning if the battery is low
- Energy saving mode can be set

Product Details

Differentiated pressure CW/WW	max. 1.5 bar
Flow rate with aerator	6.0 l/min
Product material	Chrome-plated brass
Activation distance factory setting	160 - 180 mm
Activation distance adjustment range	10 - 330 mm
Flow rate	> 0.1 l/s
Humidity	max. 100 % relative
Press Op Range	0.5 - 8 bar
Temperature during operation max.	short time max. 90 °C
Temperature range during operation	1 - 40 °C
Battery type	CR - P2 (6 V)
Operating voltage	6 V DC

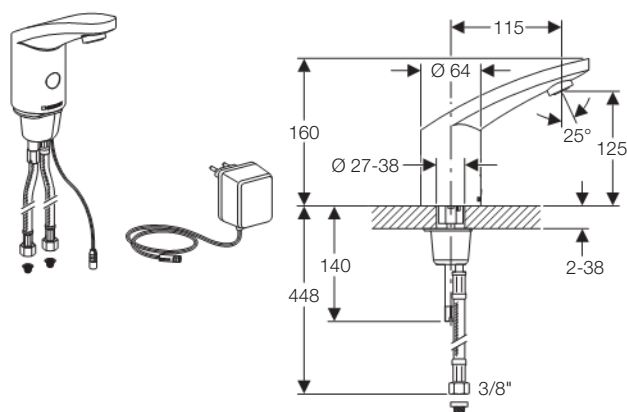
Additional Note

2 metal-reinforced hoses R 3/8"; 2 filters; 6 V battery; Key for aerator; Fastening material

Ordering Information

Article no.	Colour	PU1	PU4
116.255.21.1	NEW Gloss chrome	1	81

HyTronic185 infra-red sensor tap with internal mixing, mains powered **New**



Application

- For cold and hot water connection
- For extracting tap water
- For public and semi-public areas

Characteristics

- Temperature pre-setting via the internal mixer
- Unmixed hot or cold water cannot be adjusted
- Automatic triggering
- Self-calibrating infra-red control
- Vandal-proof
- Volume flow control with aerator
- Can be changed from mains operation to battery operation
- Various functions can be set manually
- Watersaver program adjustable
- Interval flush program adjustable
- Integrated check valve
- Electrical power supply via power supply unit
- Requires transformer 241.672.00.1 or 241.631.00.1
- European 2 pin plug and transformer to be cut off

Product Details

Differentiated pressure CW/WW	max. 1.5 bar
Flow rate with aerator	6.0 l/min
Product material	Chrome-plated brass
Activation distance factory setting	160 - 180 mm
Activation distance adjustment range	10 - 330 mm
Flow rate	> 0.1 l/s
Humidity	max. 100 % relative
Press Op Range	0.5 - 8 bar
Temperature during operation max.	short time max. 90 °C
Temperature range during operation	1 - 40 °C
Mains frequency	50 Hz
Nominal voltage	230 V AC
Operating voltage	12 V DC

Additional Note

2 metal-reinforced hoses R 3/8"; 2 filters; Key for aerator; 1.5 m connection cable; Power supply unit; Fastening material

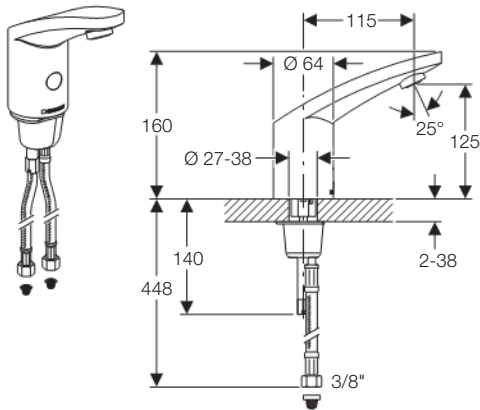
Ordering Information

Article no.	Colour	PU1	PU4
116.145.21.1	NEW Gloss chrome	1	81

Product Guide

Taps

HyTronic185 infra-red sensor tap internal mixing, battery powered New



Application

- For cold and hot water connection
- For extracting tap water
- For public and semi-public areas

Characteristics

- Temperature pre-setting via the internal mixer
- Unmixed hot or cold water cannot be adjusted
- Automatic triggering
- Self-calibrating infra-red control
- Vandal-proof
- Volume flow control with aerator
- Can be changed from mains operation to battery operation
- Various functions can be set manually
- Watersaver program adjustable
- Interval flush program adjustable
- Integrated check valve
- Power supply by battery
- Battery is sufficient to activate the water flow 200000 times
- Warning if the battery is low
- Energy saving mode can be set

Product Details

Differentiated pressure CW/WW	max. 1.5 bar
Flow rate with aerator	6.0 l/min
Product material	Chrome-plated brass
Activation distance factory setting	160 - 180 mm
Activation distance adjustment range	10 - 330 mm
Flow rate	> 0.1 l/s
Humidity	max. 100 % relative
Press Op Range	0.5 - 8 bar
Temperature during operation max.	short time max. 90 °C
Temperature range during operation	1 - 40 °C
Battery type	CR - P2 (6 V)
Operating voltage	6 V DC

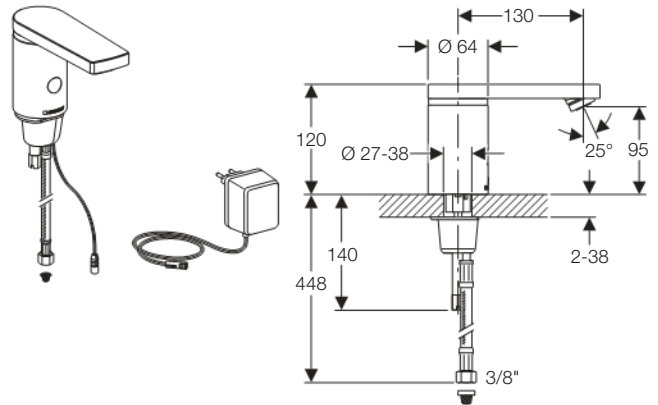
Additional Note

2 metal-reinforced hoses R 3/8"; 2 filters; 6 V battery; Key for aerator; Fastening material

Ordering Information

Article no.	Colour	PU1	PU4
116.245.21.1	NEW Gloss chrome	1	81

HyTronic186 infra-red sensor tap internal mixing, mains powered New



Application

- For cold or mixed water connection
- For extracting tap water
- For public and semi-public areas

Characteristics

- Temperature is not adjustable
- Automatic triggering
- Self-calibrating infra-red control
- Vandal-proof
- Volume flow control with aerator
- Can be changed from mains operation to battery operation
- Various functions can be set manually
- Watersaver program adjustable
- Interval flush program adjustable
- Integrated check valve
- Electrical power supply via power supply unit
- Requires transformer 241.672.00.1 or 241.631.00.1
- European 2 pin plug and transformer to be cut off

Product Details

Flow rate with aerator	6.0 l/min
Product material	Chrome-plated brass
Activation distance factory setting	160 - 180 mm
Activation distance adjustment range	10 - 330 mm
Flow rate	> 0.1 l/s
Humidity	max. 100 % relative
Press Op Range	0.5 - 8 bar
Temperature during operation max.	short time max. 90 °C
Temperature range during operation	1 - 40 °C
Mains frequency	50 Hz
Nominal voltage	230 V AC
Operating voltage	12 V DC

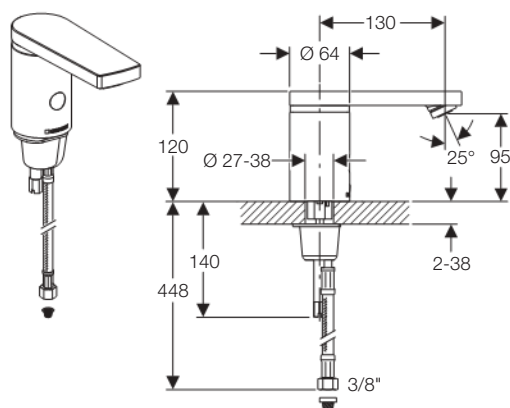
Additional Note

Metal-reinforced hose R 3/8"; Filter; Key for aerator; 1.5 m connection cable; Power supply unit; Fastening material

Ordering Information

Article no.	Colour	PU1	PU4
116.136.21.1	NEW Gloss chrome	1	81

HyTronic186 infra-red sensor tap without mixer, battery powered **New**



Application

- For cold or mixed water connection
- For extracting tap water
- For public and semi-public areas

Characteristics

- Temperature is not adjustable
- Automatic triggering
- Self-calibrating infra-red control
- Vandal-proof
- Volume flow control with aerator
- Can be changed from mains operation to battery operation
- Various functions can be set manually
- Watersaver program adjustable
- Interval flush program adjustable
- Integrated check valve
- Power supply by battery
- Battery is sufficient to activate the water flow 200000 times
- Warning if the battery is low
- Energy saving mode can be set

Product Details

Flow rate with aerator	6.0 l/min
Product material	Chrome-plated brass
Activation distance factory setting	160 - 180 mm
Activation distance adjustment range	10 - 330 mm
Flow rate	> 0.1 l/s
Humidity	max. 100 % relative
Press Op Range	0.5 - 8 bar
Temperature during operation max.	short time max. 90 °C
Temperature range during operation	1 - 40 °C
Battery type	CR - P2 (6 V)
Operating voltage	6 V DC

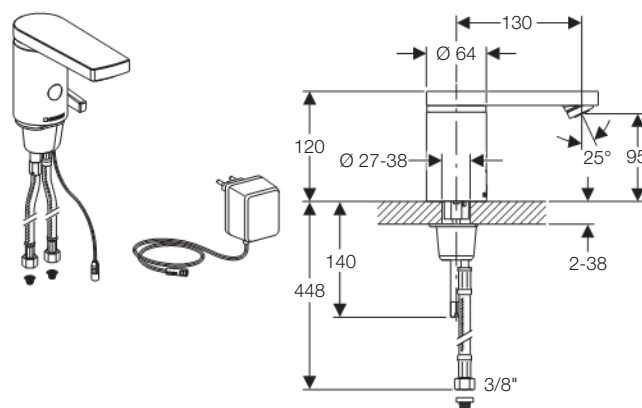
Additional Note

Metal-reinforced hose R 3/8"; Filter; 6 V battery; Key for aerator; Fastening material

Ordering Information

Article no.	Colour	PU1	PU4
116.236.21.1	NEW Gloss chrome	1	81

HyTronic186 infra-red sensor tap with mixer lever, mains powered **New**



Application

- For cold and hot water connection
- For extracting tap water
- For public and semi-public areas

Characteristics

- Temperature adjustment via the mixer lever on the side
- Unmixed hot or cold water cannot be adjusted
- Proportion of hot water can be limited
- Automatic triggering
- Self-calibrating infra-red control
- Vandal-proof
- Volume flow control with aerator
- Can be changed from mains operation to battery operation
- Various functions can be set manually
- Watersaver program adjustable
- Interval flush program adjustable
- Integrated check valve
- Electrical power supply via power supply unit
- Requires transformer 241.672.00.1 or 241.631.00.1
- European 2 pin plug and transformer to be cut off

Product Details

Differentiated pressure CW/WW	max. 1.5 bar
Flow rate with aerator	6.0 l/min
Product material	Chrome-plated brass
Activation distance factory setting	160 - 180 mm
Activation distance adjustment range	10 - 330 mm
Flow rate	> 0.1 l/s
Humidity	max. 100 % relative
Press Op Range	0.5 - 8 bar
Temperature during operation max.	short time max. 90 °C
Temperature range during operation	1 - 40 °C
Mains frequency	50 Hz
Nominal voltage	230 V AC
Operating voltage	12 V DC

Additional Note

2 metal-reinforced hoses R 3/8"; 2 filters; Key for aerator; 1.5 m connection cable; Power supply unit; Fastening material

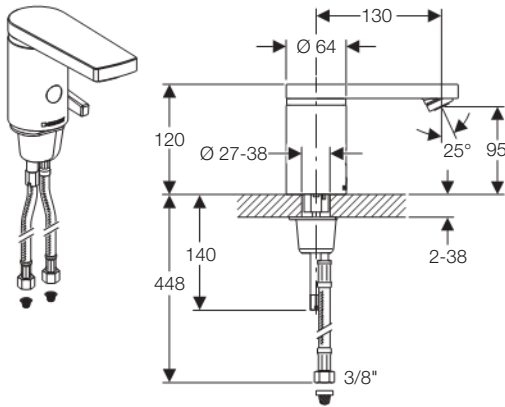
Ordering Information

Article no.	Colour	PU1	PU4
116.156.21.1	NEW Gloss chrome	1	81

Product Guide

Taps

HyTronic186 infra-red sensor tap with mixer lever, battery powered New



Application

- For cold and hot water connection
- For extracting tap water
- For public and semi-public areas

Characteristics

- Temperature adjustment via the mixer lever on the side
- Unmixed hot or cold water cannot be adjusted
- Proportion of hot water can be limited
- Automatic triggering
- Self-calibrating infra-red control
- Vandal-proof
- Volume flow control with aerator
- Can be changed from mains operation to battery operation
- Various functions can be set manually
- Watersaver program adjustable
- Interval flush program adjustable
- Integrated check valve
- Power supply by battery
- Battery is sufficient to activate the water flow 200000 times
- Warning if the battery is low
- Energy saving mode can be set

Product Details

Differentiated pressure CW/WW	max. 1.5 bar
Flow rate with aerator	6.0 l/min
Product material	Chrome-plated brass
Activation distance factory setting	160 - 180 mm
Activation distance adjustment range	10 - 330 mm
Flow rate	> 0.1 l/s
Humidity	max. 100 % relative
Press Op Range	0.5 - 8 bar
Temperature during operation max.	short time max. 90 °C
Temperature range during operation	1 - 40 °C
Battery type	CR - P2 (6 V)
Operating voltage	6 V DC

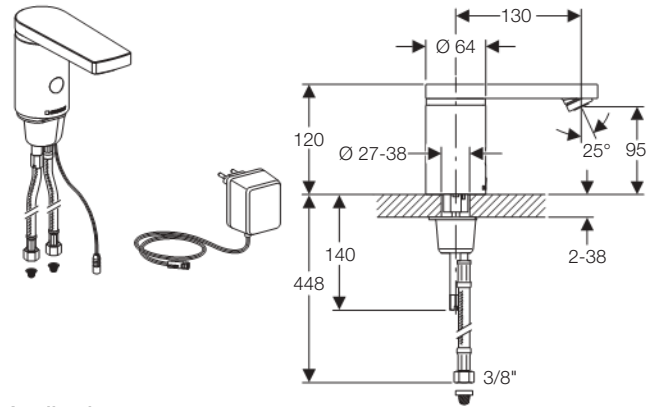
Additional Note

2 metal-reinforced hoses R 3/8"; 2 filters; 6 V battery; Key for aerator; Fastening material

Ordering Information

Article no.	Colour	PU1	PU4
116.256.21.1	NEW Gloss chrome	1	81

HyTronic186 infra-red sensor tap with internal mixing, mains powered New



Application

- For cold and hot water connection
- For extracting tap water
- For public and semi-public areas

Characteristics

- Temperature pre-setting via the internal mixer
- Unmixed hot or cold water cannot be adjusted
- Automatic triggering
- Self-calibrating infra-red control
- Vandal-proof
- Volume flow control with aerator
- Can be changed from mains operation to battery operation
- Various functions can be set manually
- Watersaver program adjustable
- Interval flush program adjustable
- Integrated check valve
- Electrical power supply via power supply unit
- Requires transformer 241.672.00.1 or 241.631.00.1
- European 2 pin plug and transformer to be cut off

Product Details

Differentiated pressure CW/WW	max. 1.5 bar
Flow rate with aerator	6.0 l/min
Product material	Chrome-plated brass
Activation distance factory setting	160 - 180 mm
Activation distance adjustment range	10 - 330 mm
Flow rate	> 0.1 l/s
Humidity	max. 100 % relative
Press Op Range	0.5 - 8 bar
Temperature during operation max.	short time max. 90 °C
Temperature range during operation	1 - 40 °C
Mains frequency	50 Hz
Nominal voltage	230 V AC
Operating voltage	12 V DC

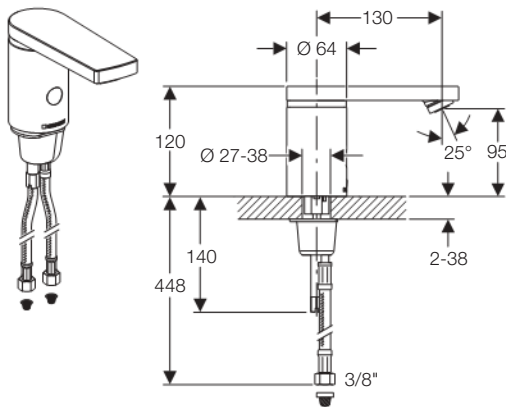
Additional Note

2 metal-reinforced hoses R 3/8"; 2 filters; Key for aerator; 1.5 m connection cable; Power supply unit; Fastening material

Ordering Information

Article no.	Colour	PU1	PU4
116.146.21.1	NEW Gloss chrome	1	81

HyTronic186 infra-red sensor tap internal mixing, battery powered **New**



Application

- For cold and hot water connection
- For extracting tap water
- For public and semi-public areas

Characteristics

- Temperature pre-setting via the internal mixer
- Unmixed hot or cold water cannot be adjusted
- Automatic triggering
- Self-calibrating infra-red control
- Vandal-proof
- Volume flow control with aerator
- Can be changed from mains operation to battery operation
- Various functions can be set manually
- Watersaver program adjustable
- Interval flush program adjustable
- Integrated check valve
- Power supply by battery
- Battery is sufficient to activate the water flow 200000 times
- Warning if the battery is low
- Energy saving mode can be set

Product Details

Differentiated pressure CW/WW	max. 1.5 bar
Flow rate with aerator	6.0 l/min
Product material	Chrome-plated brass
Activation distance factory setting	160 - 180 mm
Activation distance adjustment range	10 - 330 mm
Flow rate	> 0.1 l/s
Humidity	max. 100 % relative
Press Op Range	0.5 - 8 bar
Temperature during operation max.	short time max. 90 °C
Temperature range during operation	1 - 40 °C
Battery type	CR - P2 (6 V)
Operating voltage	6 V DC

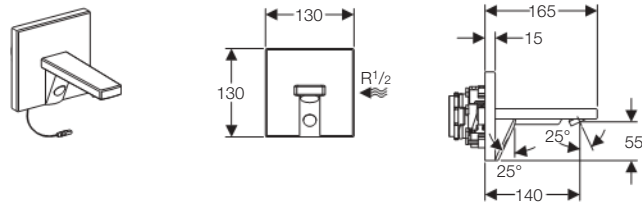
Additional Note

2 metal-reinforced hoses R 3/8"; 2 filters; 6 V battery; Key for aerator; Fastening material

Ordering Information

Article no.	Colour	PU1	PU4
116.246.21.1	NEW Gloss chrome	1	81

HyTronic87 infra-red sensor tap without mixer, mains powered



Application

- For wall mounted installation
- For public and semi-public areas
- For concealed installation
- For use in the hygiene area
- For use in the industrial area
- For use in the Geberit Duofix system
- For cold or mixed water connection

Characteristics

- Automatic triggering
- Self-calibrating infra-red control
- Interval flush program adjustable
- Watersaver program adjustable
- Various functions can be set manually
- Vandal-proof
- Volume flow control with aerator
- Requires the HansaVarox concealed base unit 616.030.00.1
- Compatible with the MeplaFix water supply connection
- Temperature is not adjustable
- Electrical power supply via power supply unit
- Requires transformer 241.672.00.1 or 241.631.00.1

Product Details

Flow rate with aerator	6.0 l/min
Product material	Brass/Zinc diecasting chrome-plated
Activation distance adjustment range	10 - 330 mm
Flow rate	> 0.1 l/s
Humidity	max. 100 % relative
Press Op Range	0.5 - 8 bar
Air temperature range	1 - 40 °C
Temperature during operation max.	short time max. 90 °C
Activation distance factory setting	160 - 180 mm
Mains frequency	50 Hz
Nominal voltage	230 V AC
Operating voltage	12 V DC

Additional Note

Non-return valve; Filter; Key for aerator; 1.5 m connection cable; Fastening material

Excluded: Power supply unit

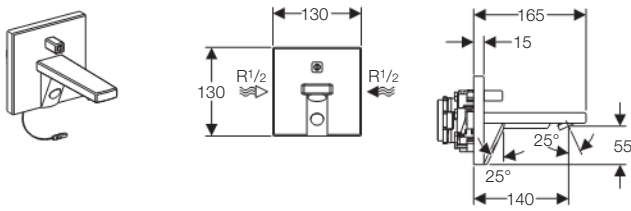
Ordering Information

Article no.	Colour	PU1	PU4
116.107.21.1	Gloss chrome	1	60

Product Guide

Taps

HyTronic87 infra-red sensor tap with mixer lever, mains powered



Application

- For wall mounted installation
- For public and semi-public areas
- For concealed installation
- For use in the hygiene area
- For use in the industrial area
- For use in the Geberit Duofix system
- For cold and hot water connection

Characteristics

- Automatic triggering
- Self-calibrating infra-red control
- Interval flush program adjustable
- Watersaver program adjustable
- Various functions can be set manually
- Vandal-proof
- Volume flow control with aerator
- Requires the HansaVarox concealed base unit 616.030.00.1
- Compatible with the MeplaFix water supply connection
- Temperature adjustment via the mixer lever
- Proportion of hot water can be limited
- Electrical power supply via power supply unit
- Requires transformer 241.672.00.1 or 241.631.00.1

Product Details

Flow rate with aerator	6.0 l/min
Product material	Brass/Zinc diecasting chrome-plated
Activation distance adjustment range	10 - 330 mm
Flow rate	> 0.1 l/s
Humidity	max. 100 % relative
Press Op Range	0.5 - 8 bar
Air temperature range	1 - 40 °C
Temperature during operation max.	short time max. 90 °C
Differentiated pressure CW/WW	max. 1.5 bar
Activation distance factory setting	160 - 180 mm
Mains frequency	50 Hz
Nominal voltage	230 V AC
Operating voltage	12 V DC

Additional Note

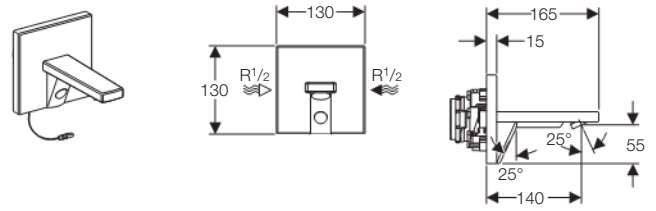
2 non-return valves; 2 filters; Key for aerator; 1.5 m connection cable; Fastening material

Excluded: Power supply unit

Ordering Information

Article no.	Colour	PU1	PU4
116.127.21.1	Gloss chrome	1	60

HyTronic87 infra-red sensor tap with internal mixing, mains powered



Application

- For wall mounted installation
- For public and semi-public areas
- For concealed installation
- For use in the hygiene area
- For use in the industrial area
- For use in the Geberit Duofix system
- For cold and hot water connection

Characteristics

- Automatic triggering
- Self-calibrating infra-red control
- Interval flush program adjustable
- Watersaver program adjustable
- Various functions can be set manually
- Vandal-proof
- Volume flow control with aerator
- Requires the HansaVarox concealed base unit 616.030.00.1
- Compatible with the MeplaFix water supply connection
- Temperature pre-setting via the internal mixer
- Proportion of hot water can be limited
- Electrical power supply via power supply unit
- Requires transformer 241.672.00.1 or 241.631.00.1

Product Details

Flow rate with aerator	6.0 l/min
Product material	Brass/Zinc diecasting chrome-plated
Activation distance adjustment range	10 - 330 mm
Flow rate	> 0.1 l/s
Humidity	max. 100 % relative
Press Op Range	0.5 - 8 bar
Air temperature range	1 - 40 °C
Temperature during operation max.	short time max. 90 °C
Differentiated pressure CW/WW	max. 1.5 bar
Activation distance factory setting	160 - 180 mm
Mains frequency	50 Hz
Nominal voltage	230 V AC
Operating voltage	12 V DC

Additional Note

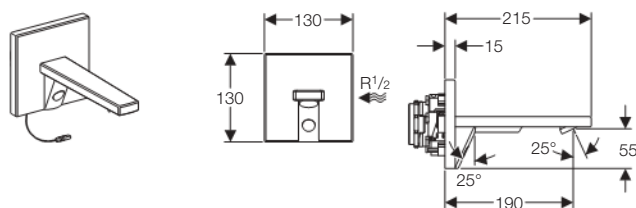
2 non-return valves; 2 filters; Key for aerator; 1.5 m connection cable; Fastening material

Excluded: Power supply unit

Ordering Information

Article no.	Colour	PU1	PU4
116.117.21.1	Gloss chrome	1	60

HyTronic88 infra-red sensor tap without mixer, mains powered



Application

- For wall mounted installation
- For public and semi-public areas
- For concealed installation
- For use in the hygiene area
- For use in the industrial area
- For use in the Geberit Duofix system
- For cold or mixed water connection

Characteristics

- Automatic triggering
- Self-calibrating infra-red control
- Interval flush program adjustable
- Watersaver program adjustable
- Various functions can be set manually
- Vandal-proof
- Volume flow control with aerator
- Requires the HansaVarox concealed base unit 616.030.00.1
- Compatible with the MeplaFix water supply connection
- Temperature is not adjustable
- Electrical power supply via power supply unit
- Requires transformer 241.672.00.1 or 241.631.00.1

Product Details

Flow rate with aerator	6.0 l/min
Product material	Brass/Zinc diecasting chrome-plated
Activation distance adjustment range	10 - 330 mm
Flow rate	> 0.1 l/s
Humidity	max. 100 % relative
Press Op Range	0.5 - 8 bar
Air temperature range	1 - 40 °C
Temperature during operation max.	short time max. 90 °C
Activation distance factory setting	200 - 220 mm
Mains frequency	50 Hz
Nominal voltage	230 V AC
Operating voltage	12 V DC

Additional Note

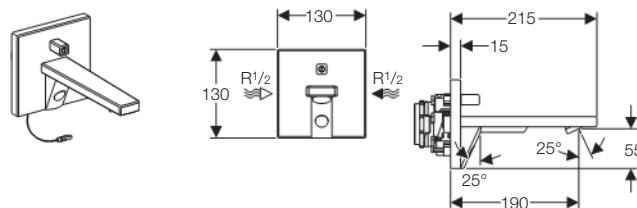
Non-return valve; Filter; Key for aerator; 1.5 m connection cable; Fastening material

Excluded: Power supply unit

Ordering Information

Article no.	Colour	PU1	PU4
116.108.21.1	Gloss chrome	1	60

HyTronic88 infra-red sensor tap with mixer lever, mains powered



Application

- For wall mounted installation
- For public and semi-public areas
- For concealed installation
- For use in the hygiene area
- For use in the industrial area
- For use in the Geberit Duofix system
- For cold and hot water connection

Characteristics

- Automatic triggering
- Self-calibrating infra-red control
- Interval flush program adjustable
- Watersaver program adjustable
- Various functions can be set manually
- Vandal-proof
- Volume flow control with aerator
- Requires the HansaVarox concealed base unit 616.030.00.1
- Compatible with the MeplaFix water supply connection
- Temperature adjustment via the mixer lever
- Proportion of hot water can be limited
- Electrical power supply via power supply unit
- Requires transformer 241.672.00.1 or 241.631.00.1

Product Details

Flow rate with aerator	6.0 l/min
Product material	Brass/Zinc diecasting chrome-plated
Activation distance adjustment range	10 - 330 mm
Flow rate	> 0.1 l/s
Humidity	max. 100 % relative
Press Op Range	0.5 - 8 bar
Air temperature range	1 - 40 °C
Temperature during operation max.	short time max. 90 °C
Differentiated pressure CW/WW	max. 1.5 bar
Activation distance factory setting	200 - 220 mm
Mains frequency	50 Hz
Nominal voltage	230 V AC
Operating voltage	12 V DC

Additional Note

2 non-return valves; 2 filters; Key for aerator; 1.5 m connection cable; Fastening material

Excluded: Power supply unit

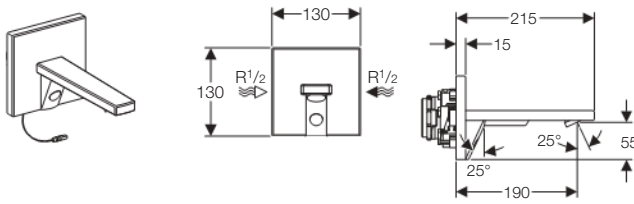
Ordering Information

Article no.	Colour	PU1	PU4
116.128.21.1	Gloss chrome	1	60

Product Guide

Taps

HyTronic88 infra-red sensor tap with internal mixing, mains powered



Application

- For wall mounted installation
- For public and semi-public areas
- For concealed installation
- For use in the hygiene area
- For use in the industrial area
- For use in the Geberit Duofix system
- For cold and hot water connection

Characteristics

- Automatic triggering
- Self-calibrating infra-red control
- Interval flush program adjustable
- Watersaver program adjustable
- Various functions can be set manually
- Vandal-proof
- Volume flow control with aerator
- Requires the HansaVarox concealed base unit 616.030.00.1
- Compatible with the MeplaFix water supply connection
- Temperature pre-setting via the internal mixer
- Proportion of hot water can be limited
- Electrical power supply via power supply unit
- Requires transformer 241.672.00.1 or 241.631.00.1

Product Details

Flow rate with aerator	6.0 l/min
Product material	Brass/Zinc diecasting chrome-plated
Activation distance adjustment range	10 - 330 mm
Flow rate	> 0.1 l/s
Humidity	max. 100 % relative
Press Op Range	0.5 - 8 bar
Air temperature range	1 - 40 °C
Temperature during operation max.	short time max. 90 °C
Differentiated pressure CW/WW	max. 1.5 bar
Activation distance factory setting	200 - 220 mm
Mains frequency	50 Hz
Nominal voltage	230 V AC
Operating voltage	12 V DC

Additional Note

2 non-return valves; 2 filters; Key for aerator; 1.5 m connection cable; Fastening material

Excluded: Power supply unit

Ordering Information

Article no.	Colour	PU1	PU4
116.118.21.1	Gloss chrome	1	60

Transformer for HyTronic185/186 and HyTronic87/88



Application

- For power supply of HyTronic87/88 and HyTronic 185/186 outlet taps

Characteristics

- Power supply of up to 8 taps
- Transformation of mains voltage to extra-low voltage

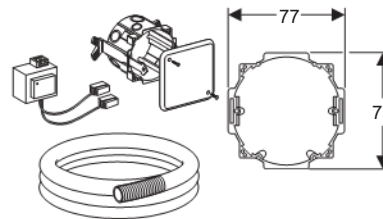
Product Details

Mains frequency	50 - 60 Hz
Protection degree	IP 20
Nominal voltage	230 V AC
Operating voltage	12 V DC

Ordering Information

Article no.	PU1
241.672.00.1	1

Roughing box and transformer for HyTronic185/186 and HyTronic87/88



Application

- For concealed installation in solid or drywall construction
- For power supply of HyTronic87/88 and HyTronic 185/186 outlet taps

Characteristics

- Power supply of up to 8 taps
- Transformation of mains voltage to extra-low voltage

Product Details

Mains frequency	50 - 60 Hz
Protection degree	IP 20
Nominal voltage	230 V AC
Operating voltage	12 V DC

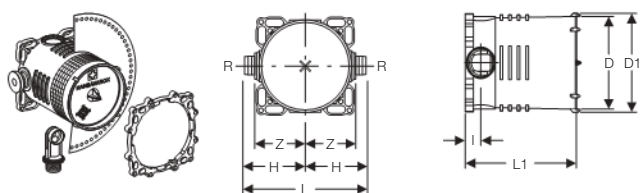
Additional Note

Power supply unit; Concealed outlet for drilling diameter \varnothing 76 mm; Cover for concealed outlet; Conduit pipe, 1.7 m

Ordering Information

Article no.	PU1
241.631.00.1	1

HansaVarox box for HyTronic87 and 88



Characteristics

- MeplaFix system elbow made from dezincification-resistant brass
- Acoustically decoupled

Additional Note

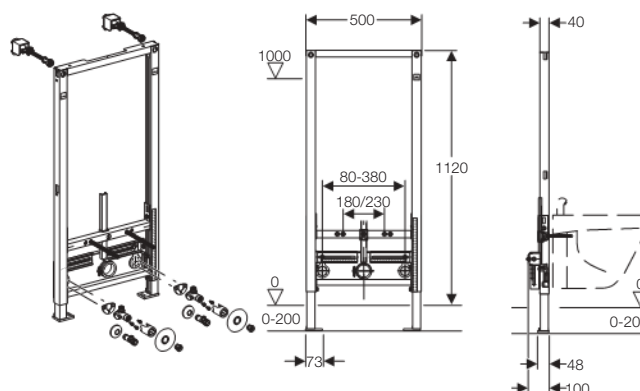
2 MeplaFix system elbows, pre-mounted; 1 MeplaFix system elbow, loose, with seal; Rubber collar; Fastening ring

Ordering Information

Article no.	R	D	D1	H	L	L1	I	Z	PU1	PU4
	"	cm	cm	cm	cm	cm	cm	cm		
616.030.00.1	MF 1/2	10,4	11	7	14	11	2	5,5	1	160

Duofix bidet frames

Duofix bidet frame 1.12 m



Application

- For installation of a wall-hung bidet with bolt fixings set at 180 or 230 mm centres
- For installation in a room-high Duofix system wall
- For installation in a load bearing stud wall
- For a screed of 0 - 200 mm

Characteristics

- Frame height 1120 mm
- Bidet fastening distance 180 mm or 230 mm
- Frame with holes \varnothing 9 mm for fastening in wood frame construction
- Galvanised leg supports, steplessly adjustable 0 - 200 mm
- Self-supporting
- Frame with C profile 40/40 mm
- Powder-coated, Geberit blue
- For structures on the floor, leg supports retractable to -50 mm
- Rotating foot plate, for installation in UW50 and UW75 profiles
- With wall brackets to allow up to a 200 mm duct. For larger ducts use extension bolts 111.887.00.1
- With backplate elbows and chrome isolating valves with 3/8" BSP connection

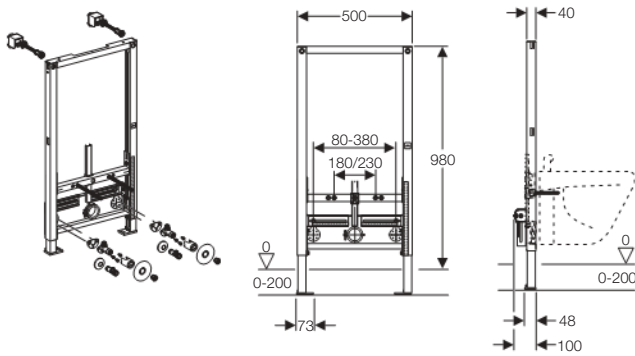
Additional Note

2 water connections R 1/2"; 2 angle stop valves R 1/2"; 2 Duofix pre-wall brackets for system; 2 threaded rods M12 for ceramics fastening; Fastening material

Ordering Information

Article no.	PU1
111.545.00.1	1

Duofix bidet frame 0.98 m



Application

- For installation of a wall-hung bidet with bolt fixings set at 180 or 230 mm centres
- For installation in a partial-height Duofix system wall in front of a solid or drywall construction
- For mounting in front of a solid or drywall construction
- For a screed of 0 - 200 mm

Characteristics

- Frame height 980 mm
- Bidet fastening distance 180 mm or 230 mm
- Frame with holes \varnothing 9 mm for fastening in wood frame construction
- Galvanised leg supports, steplessly adjustable 0 - 200 mm
- Self-supporting
- Frame with C profile 40/40 mm
- Powder-coated, Geberit blue
- For structures on the floor, leg supports retractable to -50 mm
- Rotating foot plate, for installation in UW50 and UW75 profiles
- With wall brackets to allow up to a 200 mm duct. For larger ducts use extension bolts 111.887.00.1
- With backplate elbows and chrome isolating valves with 3/8" BSP connection

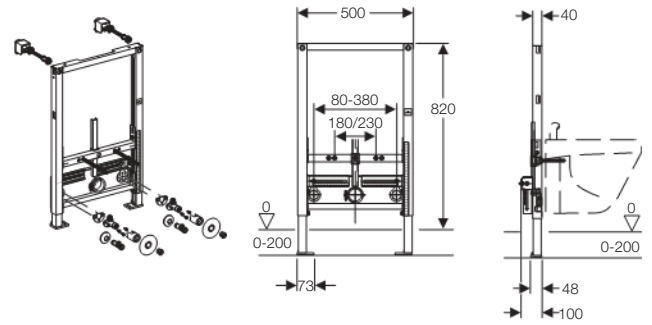
Additional Note

2 water connections R 1/2"; 2 angle stop valves R 1/2"; 2 Duofix pre-wall brackets for system; 2 threaded rods M12 for ceramics fastening; Fastening material

Ordering Information

Article no.	PU1
111.544.00.1	1

Duofix bidet frame 0.82 m



Application

- For installation of a wall-hung bidet with bolt fixings set at 180 or 230 mm centres
- For installation in a partial-height Duofix system wall in front of a solid or drywall construction
- For mounting in front of a solid or drywall construction
- For a screed of 0 - 200 mm

Characteristics

- Frame height 820 mm
- Bidet fastening distance 180 mm or 230 mm
- Frame with holes \varnothing 9 mm for fastening in wood frame construction
- Galvanised leg supports, steplessly adjustable 0 - 200 mm
- Self-supporting
- Frame with C profile 40/40 mm
- Powder-coated, Geberit blue
- For structures on the floor, leg supports retractable to -50 mm
- Rotating foot plate, for installation in UW50 and UW75 profiles
- With wall brackets to allow up to a 200 mm duct. For larger ducts use extension bolts 111.887.00.1
- With backplate elbows and chrome isolating valves with 3/8" BSP connection

Additional Note

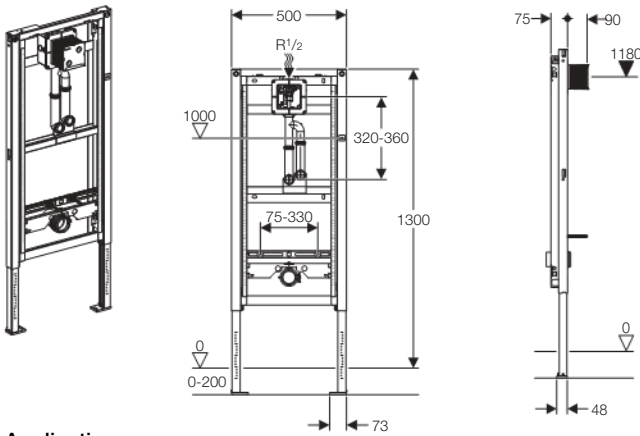
2 water connections R 1/2"; 2 angle stop valves R 1/2"; 2 Duofix pre-wall brackets for system; 2 threaded rods M12 for ceramics fastening; Fastening material

Ordering Information

Article no.	PU1
111.543.00.1	1

Duofix urinal frames

Duofix urinal frame with pipe interruptor for mains fed water supply



Application

- For installation of wall-hung urinals
- For installation in a partial-height Duofix system wall in front of a solid or drywall construction
- For installation in a room-high Duofix system wall in front of a solid or drywall construction
- For installing in a load bearing stud wall
- For mounting in front of a solid or drywall construction (order pre-wall brackets 111.844.00.1 separately)
- For a screed of 0 - 200 mm (not in room height applications)
- For mains fed water supply (note: Geberit urinal controls need a maximum 1 bar supply)
- For Geberit concealed urinal control
- Not suitable for urinals with spreaders

Characteristics

- Frame with holes \varnothing 9 mm for fastening in wood frame construction
- Galvanised leg supports, steplessly adjustable 0 - 200 mm
- Self-supporting
- Frame with C profile 40/40 mm
- Powder-coated, Geberit blue
- For structures on the floor, leg supports retractable to -50 mm
- Rotating foot plate, for installation in UW50 and UW75 profiles
- Frame height from 1120 mm to 1300 mm, depending on urinal
- Water supply connection 1/2" (compatible with MeplaFix)
- Water supply connection can be installed without tools
- Water supply connection radially sealing
- Stop valve with throttle pre-mounted
- Pre-mounted conduit pipe for rinsing the pipe
- Terminal provided
- The protection cover protects the service opening against moisture and dirt
- Protection housing for service opening, can be cut to length
- Flexible flush connection to inlet
- Inlet \varnothing 32 mm, height-adjustable
- Fastening for urinal with M8 threaded rod, adjustable height and distance
- Fastening for outlet bend sound-absorbing and height-adjustable
- Self-locking feet for tool-free alignment of the element. (Friction feet have to be locked with spanner)
- Additional fastening possible for urinal with accessories
- Conversion possible for urinals with spray head with accessories
- Mechanical pipe interruptor for mains water connection

Product Details

Flow rate at 1 bar	0.3 / 0.24 (with flow limiter) l/s
Test pressure water	16 bar
Test pressure air / inert gas	3 bar
Humidity	< 100 % relative
Press Op Range	1 - 8 bar
Operating temperature water max.	30 °C

Additional Note

Concealed housing with water section; Protection box with cover; Water supply connection R 1/2"; Connection pipe between inlet \varnothing 32 mm and urinal, incl. seal to urinal; Suction trap \varnothing 50 mm, incl. seal to urinal; Outlet pipe, PVC, \varnothing 50 mm, incl. seal on the suction trap; 2 threaded rods M8 for urinal fastening; Fastening material
Excluded: Urinal flushing system

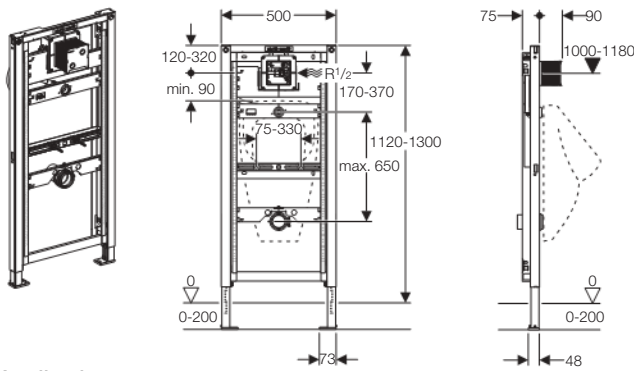
Ordering Information

Article no.	PU1
111.622.00.1	1

Product Guide

Duofix urinal frames

Duofix urinal frame for tank fed water supply



Application

- For installation of wall-hung urinals
- For tank fed water supply (note: Geberit urinal controls need a minimum 1 bar supply)
- For mains fed water with urinals Ideal Standard Jasper Morrison, Villeroy & Boch Omina Classic (#7557), Duravit Starck 3 (#082135), Kohler Odela
- For installation in a partial-height Duofix system wall in front of a solid or drywall construction
- For installation in a room-high Duofix system wall in front of a solid or drywall construction
- For installing in a load bearing stud wall
- For mounting in front of a solid or drywall construction (order pre-wall brackets 111.844.00.1 separately)
- For a screed of 0 - 200 mm (not in room height applications)
- For Geberit concealed urinal control
- Not suitable for urinals with spreaders

Characteristics

- Frame with holes \varnothing 9 mm for fastening in wood frame construction
- Galvanised leg supports, steplessly adjustable 0 - 200 mm
- Self-supporting
- Frame with C profile 40/40 mm
- Powder-coated, Geberit blue
- For structures on the floor, leg supports retractable to -50 mm
- Rotating foot plate, for installation in UW50 and UW75 profiles
- Frame height from 1120 mm to 1300 mm, depending on urinal
- Water supply connection 1/2" (compatible with MeplaFix)
- Water supply connection can be installed without tools
- Water supply connection radially sealing
- Stop valve with throttle pre-mounted
- Pre-mounted conduit pipe for rinsing the pipe
- Terminal provided
- The protection cover protects the service opening against moisture and dirt
- Protection housing for service opening, can be cut to length
- Flexible flush connection to inlet
- Inlet \varnothing 32 mm, height-adjustable
- Fastening for urinal with M8 threaded rod, adjustable height and distance
- Fastening for outlet bend sound-absorbing and height-adjustable
- Self-locking feet for tool-free alignment of the element. (Friction feet have to be locked with spanner)
- Additional fastening possible for urinal with accessories
- Conversion possible for urinals with spray head with accessories

Product Details

Flow rate at 1 bar	0.3 / 0.24 (with flow limiter) l/s
Test pressure water	16 bar
Test pressure air / inert gas	3 bar
Humidity	< 100 % relative
Press Op Range	1 - 8 bar
Operating temperature water max.	30 °C

Additional Note

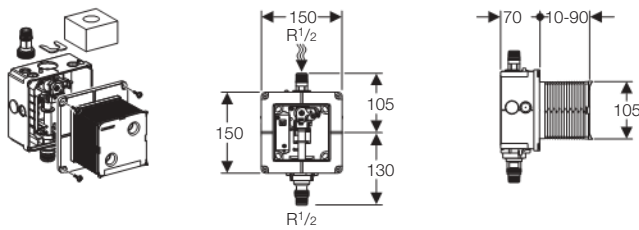
Concealed housing with water section; Protection box with cover; Water supply connection R 1/2"; Connection pipe between inlet \varnothing 32 mm and urinal, incl. seal to urinal; Suction trap \varnothing 50 mm, incl. seal to urinal; Outlet pipe, PVC, \varnothing 50 mm, incl. seal on the suction trap; 2 threaded rods M8 for urinal fastening; Fastening material

Excluded: Urinal flushing system

Ordering Information

Article no.	PU1	PU4
111.623.00.1	1	14

Urinal installation set universal



Application

- For concealed installation in solid constructions
- For accommodating the HyTronic urinal controls infra-red or HyTouch urinal controls pneumatic with plate size 130 x 130 mm
- For mains fed water with urinals Ideal Standard Jasper Morrison, Villeroy & Boch Omina Classic (#7557), Duravit Starck 3 (#082135), Kohler Odela
- For tank fed water supply (note: Geberit urinal controls need a minimum 1 bar supply)

Characteristics

- Water connection at the top centre
- Water supply connection 1/2" (compatible with MeplaFix)
- Water supply connection can be installed without tools
- Water supply connection radially sealing
- Stop valve with throttle pre-mounted
- Pre-mounted conduit pipe for rinsing the pipe
- Terminal provided
- The protection cover protects the service opening against moisture and dirt
- Protection housing for service opening, can be cut to length

Product Details

Flow rate at 1 bar	0.3 / 0.24 (with flow limiter) l/s
Humidity	max. 95 % relative
Press Op Range	1 - 8 bar
Test pressure	16 bar
Operating temperature water max.	30 °C

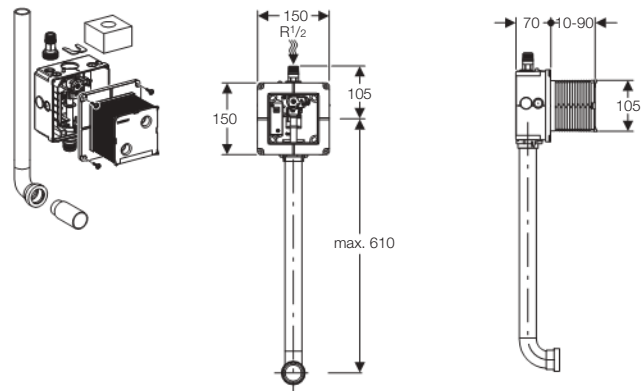
Additional Note

Concealed housing with water section; Protection box with cover;
Water supply connection R 1/2"

Ordering Information

Article no.	PU1
116.001.00.1	1

Urinal installation set universal with flush pipe



Application

- For concealed installation in solid constructions
- For accommodating the HyTronic urinal controls infra-red or HyTouch urinal controls pneumatic with plate size 130 x 130 mm
- For tank fed water supply (note: Geberit urinal controls need a minimum 1 bar supply)
- For mains fed water with urinals Ideal Standard Jasper Morrison, Villeroy & Boch Omina Classic (#7557), Duravit Starck 3 (#082135), Kohler Odela

Characteristics

- Water connection at the top centre
- Water supply connection 1/2" (compatible with MeplaFix)
- Water supply connection can be installed without tools
- Water supply connection radially sealing
- Stop valve with throttle pre-mounted
- Pre-mounted conduit pipe for rinsing the pipe
- Terminal provided
- The protection cover protects the service opening against moisture and dirt
- Protection housing for service opening, can be cut to length

Product Details

Flow rate at 1 bar	0.3 / 0.24 (with flow limiter) l/s
Humidity	max. 95 % relative
Press Op Range	1 - 8 bar
Test pressure	16 bar
Operating temperature water max.	30 °C

Additional Note

Concealed housing with water section; Protection box with cover;
Water supply connection R 1/2"; Flush pipe D32

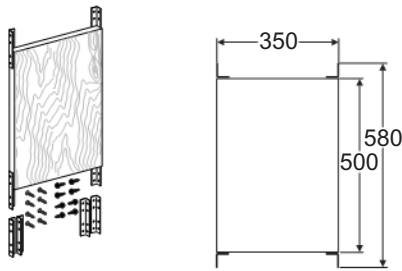
Ordering Information

Article no.	PU1
116.003.00.1	1

Product Guide

Duofix urinal frames

Duofix mounting plate for urinal division



Application

- For installation in a partial-height Duofix system wall in front of a solid or drywall construction
- For installation in a room-high Duofix system wall in front of a solid or drywall construction
- For installation in a load bearing stud wall
- For installation of urinal division

Characteristics

- Multi-layered, water-resistant bonding
- Veneered wood plate
- Can be cut to reduce distance between urinals

Product Details

Product material	Wood
------------------	------

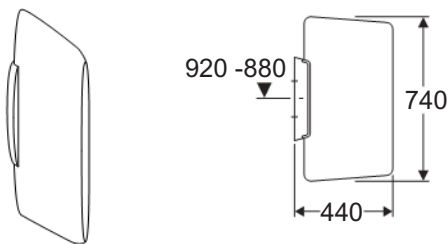
Additional Note

8 fastening brackets; Fastening material

Ordering Information

Article no.	PU1	PU4
111.859.00.1	1	40

Urinal division



Application

- For separating urinals mounted adjacent to one another

Characteristics

- Plastic urinal partition with concealed fastening

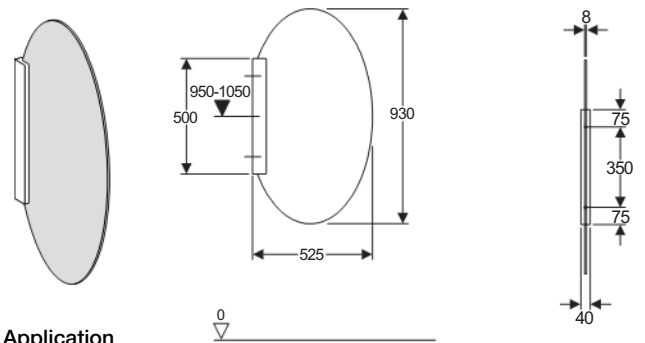
Additional Note

Distance bolts; Fastening material

Ordering Information

Article no.	Colour	PU1	PU4
115.200.11.1	White	1	16

Glass urinal division



Application

- For separating urinals mounted adjacent to one another
- For mounting on solid or drywall constructions

Characteristics

- Concealed installation
- Corrosion-resistant bracket, hard-anodised surface
- Matt glass surface on both sides

Product Details

Product material	Toughened safety glass
------------------	------------------------

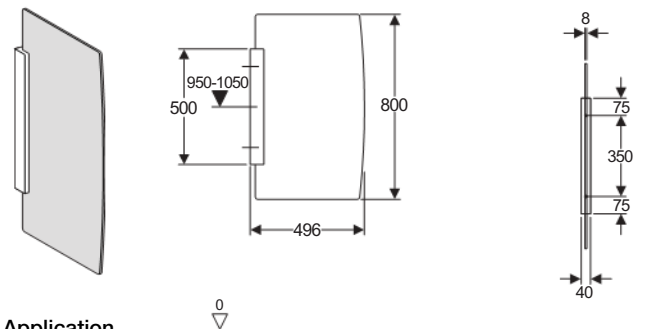
Additional Note

Wall bracket; Cover; Fastening material

Ordering Information

Article no.	Colour	PU1	PU4
115.210.CD.1	Opaque grey	1	15
115.210.GT.1	Opaque green	1	15

Glass urinal division



Application

- For separating urinals mounted adjacent to one another
- For mounting on solid or drywall constructions

Characteristics

- Concealed installation
- Corrosion-resistant bracket, hard-anodised surface
- Matt glass surface on both sides

Product Details

Product material	Toughened safety glass
------------------	------------------------

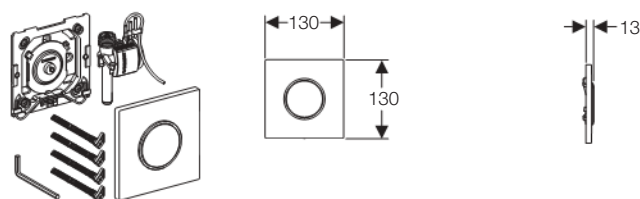
Additional Note

Wall bracket; Cover; Fastening material

Ordering Information

Article no.	Colour	PU1	PU4
115.214.CD.1	Opaque grey	1	15
115.214.GT.1	Opaque green	1	15

HyTouch hand operated pneumatic urinal control, Sigma10



Application

- For manual flush actuation of urinals
- For assembly in urinal installation set

Characteristics

- Manual flush actuation
- Low flush actuation force
- Flush actuation when the actuator button is released
- Flush time setting with air nozzles (pneumatic)
- Plastic actuator plate, with securing bar

Product Details

Flow rate at 1 bar	0.3 / 0.24 (with flow limiter) l/s
Test pressure water	16 bar
Test pressure air / inert gas	3 bar
Actuation force	< 10 N
Flush time range	4 / 8 / 12 s
Humidity	< 100 % relative
Press Op Range	1 - 8 bar
Operating temperature water max.	30 °C

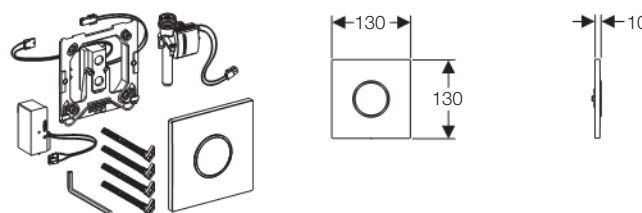
Additional Note

Flush plate; Pneumatic control, pre-mounted on mounting frame;
Pneumatic valve; Fastening material

Ordering Information

Article no.	Colour	PU1
116.015.KH.1	Gloss chrome / matt chrome / gloss chrome	1
116.015.KJ.1	White / gloss chrome / white	1
116.015.KK.1	White / gold-plated / white	1
116.015.KL.1	White / matt chrome / matt chrome	1
116.015.KM.1	Black / gloss chrome / black	1
116.015.KN.1	Matt chrome / gloss chrome / matt chrome	1

HyTronic infra-red urinal control, mains powered, Sigma10



Application

- For automatic flush actuation of urinals
- For assembly in installation set

Characteristics

- Automatic flush actuation, user-controlled
- Infra-red detection with background fade-out
- Ready for operation after mains connection
- Power-failure control system
- Functions can be adjusted and queried with HyTronic Service Handy
- Flush actuation can be deactivated using HyTronic Clean Handy
- Dynamic flushing time adjustment
- Die-cast zinc cover plate, with securing bar

Product Details

Interval flush factory setting	24 h
Interval flush adjustment range	1 - 168 h
Flow rate at 1 bar	0.3 / 0.24 (with flow limiter) l/s
Test pressure water	16 bar
Test pressure air / inert gas	3 bar
Activation time	7 s
Activation time range	3 - 15 s
Mains frequency	50 - 60 Hz
Power input	< 0.5 W
Protection degree	IP 45
Nominal voltage	110 - 240 V AC
Operating voltage	4.5 V DC
Default flush time	4 s
Flush time range	3 - 15 s
Humidity	< 100 % relative
Press Op Range	1 - 8 bar
Operating temperature water max.	30 °C

Additional Note

Cover plate with infra-red window; Infra-red control, pre-mounted on mounting frame; Power supply unit; Solenoid valve; Fastening material

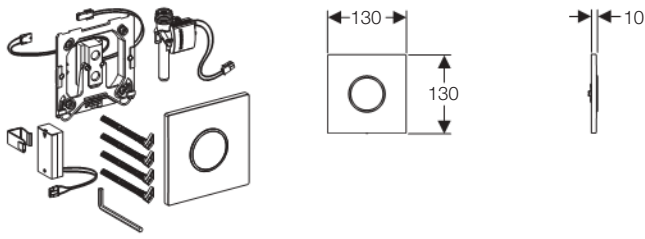
Ordering Information

Article no.	Colour	PU1
116.025.KH.1	Gloss chrome / matt chrome / gloss chrome	1
116.025.KJ.1	White / gloss chrome / white	1
116.025.KK.1	White / gold-plated / white	1
116.025.KL.1	White / matt chrome / matt chrome	1
116.025.KM.1	Black / gloss chrome / black	1
116.025.KN.1	Matt chrome / gloss chrome / matt chrome	1

Product Guide

Duofix urinal frames

HyTronic infra-red urinal control, battery powered, Sigma10



Application

- For automatic flush actuation of urinals
- For assembly in installation set

Characteristics

- Automatic flush actuation, user-controlled
- Infra-red detection with background fade-out
- Warning if the battery is low
- Functions can be adjusted and queried with HyTronic Service Handy
- Flush actuation can be deactivated using HyTronic Clean Handy
- Dynamic flushing time adjustment
- Die-cast zinc cover plate, with securing bar

Product Details

Interval flush factory setting	24 h
Interval flush adjustment range	1 - 168 h
Flow rate at 1 bar	0.3 / 0.24 (with flow limiter) l/s
Test pressure water	16 bar
Test pressure air / inert gas	3 bar
Battery lifetime Lithium	~ 2 years
Battery lifetime Alkaline	~ 1.5 years
Activation time	7 s
Activation time range	3 - 15 s
Battery type	Lithium 1.5 V (AA)
Power input	< 0.5 W
Protection degree	IP 45
Operating voltage	3 V DC
Default flush time	4 s
Flush time range	3 - 15 s
Humidity	< 100 % relative
Press Op Range	1 - 8 bar
Operating temperature water max.	30 °C

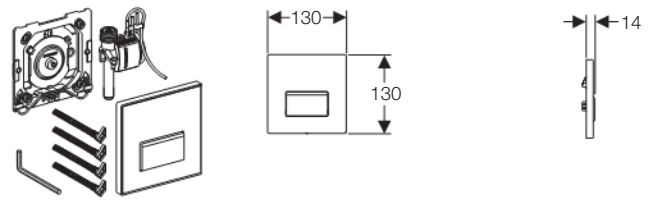
Additional Note

Cover plate with infra-red window; Infra-red control, pre-mounted on mounting frame; Battery box; 2 lithium batteries; Solenoid valve; Fastening material

Ordering Information

Article no.	Colour	PU1
116.035.KH.1	Gloss chrome / matt chrome / gloss chrome	1
116.035.KJ.1	White / gloss chrome / white	1
116.035.KK.1	White / gold-plated / white	1
116.035.KL.1	White / matt chrome / matt chrome	1
116.035.KM.1	Black / gloss chrome / black	1
116.035.KN.1	Matt chrome / gloss chrome / matt chrome	1

HyTouch hand operated pneumatic urinal control, Sigma50



Application

- For manual flush actuation of urinals
- For assembly in installation set

Characteristics

- Manual flush actuation
- Low flush actuation force
- Flush actuation when the actuator button is released
- Flush time setting with air nozzles (pneumatic)
- Die-cast zinc actuator plate, with securing bar

Product Details

Flow rate at 1 bar	0.3 / 0.24 (with flow limiter) l/s
Test pressure water	16 bar
Test pressure air / inert gas	3 bar
Actuation force	< 10 N
Flush time range	4 / 8 / 12 s
Humidity	< 100 % relative
Press Op Range	1 - 8 bar
Operating temperature water max.	30 °C

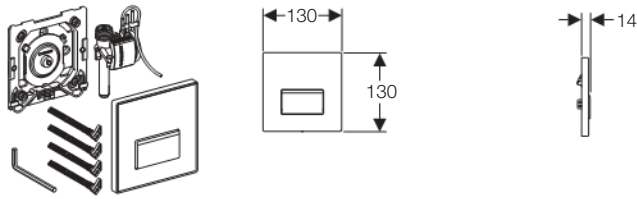
Additional Note

Flush plate; Pneumatic control, pre-mounted on mounting frame; Pneumatic valve; Fastening material

Ordering Information

Article no.	PU1
116.016.00.1	1

HyTouch hand operated pneumatic urinal control, Sigma50



Application

- For manual flush actuation of urinals
- For assembly in installation set

Characteristics

- Manual flush actuation
- Low flush actuation force
- Flush actuation when the actuator button is released
- Flush time setting with air nozzles (pneumatic)
- Die-cast zinc actuator plate, with securing bar

Product Details

Flow rate at 1 bar	0.24 / 0.3 (without flow limiter) l/s
Test pressure water	16 bar
Test pressure air / inert gas	3 bar
Actuation force	< 10 N
Flush time range	4 / 8 / 12 s
Humidity	< 100 % relative
Press Op Range	1 - 8 bar
Operating temperature water max.	30 °C

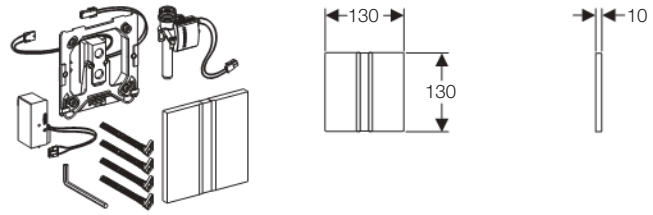
Additional Note

Flush plate; Pneumatic control, pre-mounted on mounting frame;
Pneumatic valve; Fastening material

Ordering Information

Article no.	Colour	PU1
116.016.11.1	White alpine	1
116.016.DW.1	Black RAL 9005	1
116.016.EP.1	Pergamon	1
116.016.SE.1	Green satinised	1
116.016.SD.1	Smoked glass reflective	1
116.016.SC.1	White with ornament x	1

HyTronic infra-red urinal control, mains powered, Sigma50



Application

- For automatic flush actuation of urinals
- For assembly in installation set

Characteristics

- Automatic flush actuation, user-controlled
- Infra-red detection with background fade-out
- Ready for operation after mains connection
- Power-failure control system
- Functions can be adjusted and queried with HyTronic Service Handy
- Flush actuation can be deactivated using HyTronic Clean Handy
- Dynamic flushing time adjustment
- Die-cast zinc cover plate, with securing bar

Product Details

Interval flush factory setting	24 h
Interval flush adjustment range	1 - 168 h
Flow rate at 1 bar	0.3 / 0.24 (with flow limiter) l/s
Test pressure water	16 bar
Test pressure air / inert gas	3 bar
Activation time	7 s
Activation time range	3 - 15 s
Mains frequency	50 - 60 Hz
Power input	< 0.5 W
Protection degree	IP 45
Nominal voltage	110 - 240 V AC
Operating voltage	4.5 V DC
Default flush time	4 s
Flush time range	3 - 15 s
Humidity	< 100 % relative
Press Op Range	1 - 8 bar
Operating temperature water max.	30 °C

Additional Note

Cover plate with infra-red window; Infra-red control, premounted on mounting frame; Power supply unit; Solenoid valve; Fastening material

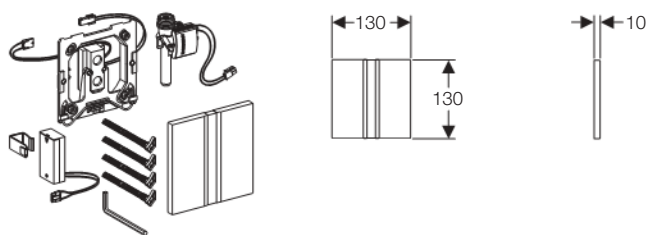
Ordering Information

Article no.	Colour	PU1
116.026.GH.1	Brushed chrome	1

Product Guide

Duofix urinal frames

HyTronic infra-red urinal control, battery powered, Sigma50



Application

- For automatic flush actuation of urinals
- For assembly in installation set

Characteristics

- Automatic flush actuation, user-controlled
- Infra-red detection with background fade-out
- Warning if the battery is low
- Functions can be adjusted and queried with HyTronic Service Handy
- Flush actuation can be deactivated using HyTronic Clean Handy
- Dynamic flushing time adjustment
- Die-cast zinc cover plate, with securing bar

Product Details

Interval flush factory setting	24 h
Interval flush adjustment range	1 - 168 h
Flow rate at 1 bar	0.3 / 0.24 (with flow limiter) l/s
Test pressure water	16 bar
Test pressure air / inert gas	3 bar
Battery lifetime Lithium	~ 2 years
Battery lifetime Alkaline	~ 1.5 years
Activation time	7 s
Activation time range	3 - 15 s
Battery type	Lithium 1.5 V (AA)
Power input	< 0.5 W
Protection degree	IP 45
Operating voltage	3 V DC
Default flush time	4 s
Flush time range	3 - 15 s
Humidity	< 100 % relative
Press Op Range	1 - 8 bar
Operating temperature water max.	30 °C

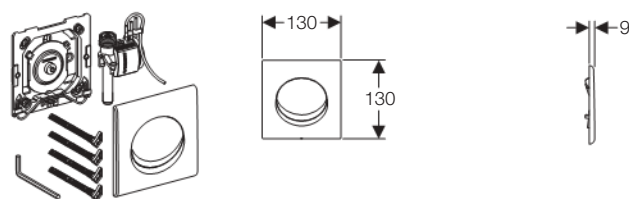
Additional Note

Cover plate with infra-red window; Infra-red control, pre-mounted on mounting frame; Battery box; 2 lithium batteries; Solenoid valve; Fastening material

Ordering Information

Article no.	Colour	PU1
116.036.GH.1	Brushed chrome	1

HyTouch hand operated pneumatic urinal control, Samba



Application

- For manual flush actuation of urinals
- For assembly in installation set

Characteristics

- Manual flush actuation
- Low flush actuation force
- Flush actuation when the actuator button is released
- Flush time setting with air nozzles (pneumatic)
- Plastic actuator plate, with securing bar

Product Details

Flow rate at 1 bar	0.3 / 0.24 (with flow limiter) l/s
Test pressure water	16 bar
Test pressure air / inert gas	3 bar
Actuation force	< 10 N
Flush time range	4 / 8 / 12 s
Humidity	< 100 % relative
Press Op Range	1 - 8 bar
Operating temperature water max.	30 °C

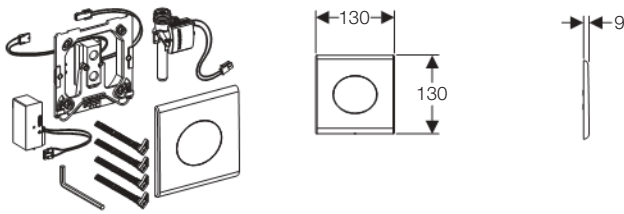
Additional Note

Flush plate; Pneumatic control, pre-mounted on mounting frame; Pneumatic valve; Fastening material

Ordering Information

Article no.	Colour	PU1
116.011.11.1	White alpine	1
116.011.21.1	Gloss chrome	1
116.011.46.1	Matt chrome	1

HyTronic infra-red urinal control, mains powered, Samba



Application

- For automatic flush actuation of urinals
- For assembly in installation set

Characteristics

- Automatic flush actuation, user-controlled
- Infra-red detection with background fade-out
- Ready for operation after mains connection
- Power-failure control system
- Functions can be adjusted and queried with HyTronic Service Handy
- Flush actuation can be deactivated using HyTronic Clean Handy
- Dynamic flushing time adjustment
- Die-cast zinc cover plate, with securing bar

Product Details

Interval flush factory setting	24 h
Interval flush adjustment range	1 - 168 h
Flow rate at 1 bar	0.3 / 0.24 (with flow limiter) l/s
Test pressure water	16 bar
Test pressure air / inert gas	3 bar
Activation time	7 s
Activation time range	3 - 15 s
Mains frequency	50 - 60 Hz
Power input	< 0.5 W
Protection degree	IP 45
Nominal voltage	110 - 240 V AC
Operating voltage	4.5 V DC
Default flush time	4 s
Flush time range	3 - 15 s
Humidity	< 100 % relative
Press Op Range	1 - 8 bar
Operating temperature water max.	30 °C

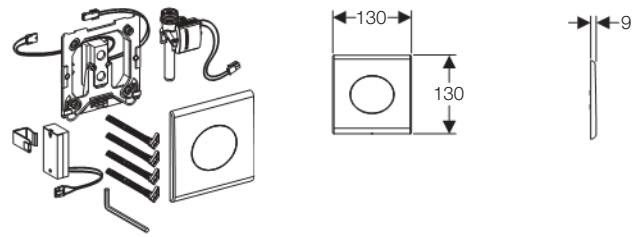
Additional Note

Cover plate with infra-red window; Infra-red control, premounted on mounting frame; Power supply unit; Solenoid valve; Fastening material

Ordering Information

Article no.	Colour	PU1	PU4
116.021.11.1	White alpine	1	
116.021.21.1	Gloss chrome	1	
116.021.46.1	Matt chrome	1	126

HyTronic infra-red urinal control, battery powered, Samba



Application

- For automatic flush actuation of urinals
- For assembly in installation set

Characteristics

- Automatic flush actuation, user-controlled
- Infra-red detection with background fade-out
- Warning if the battery is low
- Functions can be adjusted and queried with HyTronic Service Handy
- Flush actuation can be deactivated using HyTronic Clean Handy
- Dynamic flushing time adjustment
- Die-cast zinc cover plate, with securing bar

Product Details

Interval flush factory setting	24 h
Interval flush adjustment range	1 - 168 h
Flow rate at 1 bar	0.3 / 0.24 (with flow limiter) l/s
Test pressure water	16 bar
Test pressure air / inert gas	3 bar
Battery lifetime Lithium	~ 2 years
Battery lifetime Alkaline	~ 1.5 years
Activation time	7 s
Activation time range	3 - 15 s
Battery type	Lithium 1.5 V (AA)
Power input	< 0.5 W
Protection degree	IP 45
Operating voltage	3 V DC
Default flush time	4 s
Flush time range	3 - 15 s
Humidity	< 100 % relative
Press Op Range	1 - 8 bar
Operating temperature water max.	30 °C

Additional Note

Cover plate with infra-red window; Infra-red control, premounted on mounting frame; Battery box; 2 lithium batteries; Solenoid valve; Fastening material

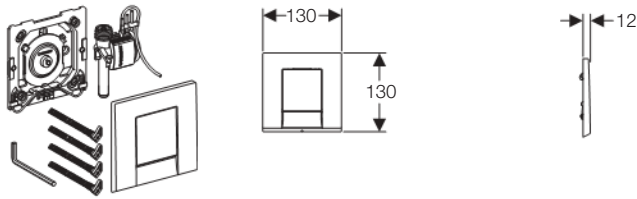
Ordering Information

Article no.	Colour	PU1
116.031.11.1	White alpine	1
116.031.21.1	Gloss chrome	1
116.031.46.1	Matt chrome	1

Product Guide

Duofix urinal frames

HyTouch hand operated pneumatic urinal control, Bolero



Application

- For manual flush actuation of urinals
- For assembly in installation set

Characteristics

- Manual flush actuation
- Low flush actuation force
- Flush actuation when the actuator button is released
- Flush time setting with air nozzles (pneumatic)
- Plastic actuator plate, with securing bar

Product Details

Flow rate at 1 bar	0.3 / 0.24 (with flow limiter) l/s
Test pressure water	16 bar
Test pressure air / inert gas	3 bar
Actuation force	< 10 N
Flush time range	4 / 8 / 12 s
Humidity	< 100 % relative
Press Op Range	1 - 8 bar
Operating temperature water max.	30 °C

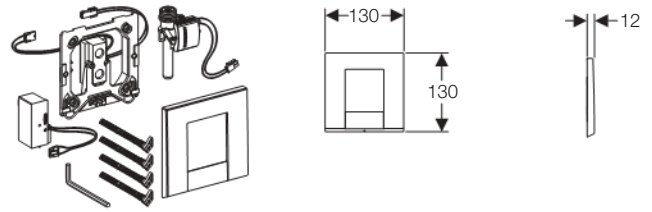
Additional Note

Flush plate; Pneumatic control, pre-mounted on mounting frame; Pneumatic valve; Fastening material

Ordering Information

Article no.	Colour	PU1
116.012.11.1	White alpine	1
116.012.21.1	Gloss chrome	1
116.012.46.1	Matt chrome	1

HyTronic infra-red urinal control, mains powered, Bolero



Application

- For automatic flush actuation of urinals
- For assembly in installation set

Characteristics

- Automatic flush actuation, user-controlled
- Infra-red detection with background fade-out
- Ready for operation after mains connection
- Power-failure control system
- Functions can be adjusted and queried with HyTronic Service Handy
- Flush actuation can be deactivated using HyTronic Clean Handy
- Dynamic flushing time adjustment
- Die-cast zinc cover plate, with securing bar

Product Details

Interval flush factory setting	24 h
Interval flush adjustment range	1 - 168 h
Flow rate at 1 bar	0.3 / 0.24 (with flow limiter) l/s
Test pressure water	16 bar
Test pressure air / inert gas	3 bar
Activation time	7 s
Activation time range	3 - 15 s
Mains frequency	50 - 60 Hz
Power input	< 0.5 W
Protection degree	IP 45
Nominal voltage	110 - 240 V AC
Operating voltage	4.5 V DC
Default flush time	4 s
Flush time range	3 - 15 s
Humidity	< 100 % relative
Press Op Range	1 - 8 bar
Operating temperature water max.	30 °C

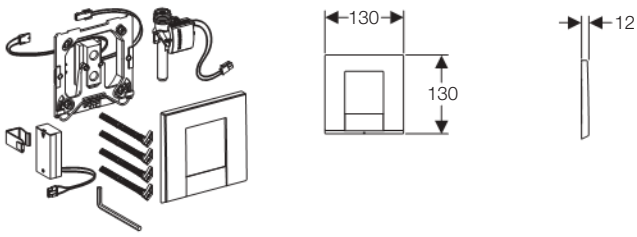
Additional Note

Cover plate with infra-red window; Infra-red control, pre-mounted on mounting frame; Power supply unit; Solenoid valve; Fastening material

Ordering Information

Article no.	Colour	PU1
116.022.11.1	White alpine	1
116.022.21.1	Gloss chrome	1
116.022.46.1	Matt chrome	1

HyTronic infra-red urinal control, battery powered, Bolero



Application

- For automatic flush actuation of urinals
- For assembly in installation set

Characteristics

- Automatic flush actuation, user-controlled
- Infra-red detection with background fade-out
- Warning if the battery is low
- Functions can be adjusted and queried with HyTronic Service Handy
- Flush actuation can be deactivated using HyTronic Clean Handy
- Dynamic flushing time adjustment
- Die-cast zinc cover plate, with securing bar

Product Details

Interval flush factory setting	24 h
Interval flush adjustment range	1 - 168 h
Flow rate at 1 bar	0.3 / 0.24 (with flow limiter) l/s
Test pressure water	16 bar
Test pressure air / inert gas	3 bar
Battery lifetime Lithium	~ 2 years
Battery lifetime Alkaline	~ 1.5 years
Activation time	7 s
Activation time range	3 - 15 s
Battery type	Lithium 1.5 V (AA)
Power input	< 0.5 W
Protection degree	IP 45
Operating voltage	3 V DC
Default flush time	4 s
Flush time range	3 - 15 s
Humidity	< 100 % relative
Press Op Range	1 - 8 bar
Operating temperature water max.	30 °C

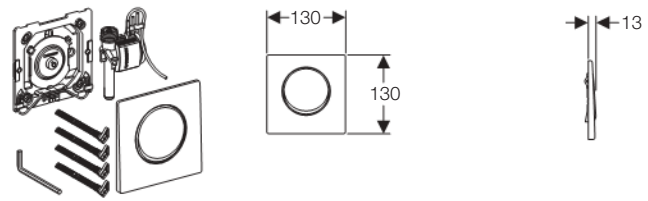
Additional Note

Cover plate with infra-red window; Infra-red control, premounted on mounting frame; Battery box; 2 lithium batteries; Solenoid valve; Fastening material

Ordering Information

Article no.	Colour	PU1
116.032.11.1	White alpine	1
116.032.21.1	Gloss chrome	1
116.032.46.1	Matt chrome	1

HyTouch hand operated pneumatic urinal control, Mambo



Application

- For manual flush actuation of urinals
- For assembly in installation set

Characteristics

- Manual flush actuation
- Low flush actuation force
- Flush actuation when the actuator button is released
- Flush time setting with air nozzles (pneumatic)
- Stainless steel actuator plate, with securing bar

Product Details

Flow rate at 1 bar	0.3 / 0.24 (with flow limiter) l/s
Test pressure water	16 bar
Test pressure air / inert gas	3 bar
Actuation force	< 10 N
Flush time range	4 / 8 / 12 s
Humidity	< 100 % relative
Press Op Range	1 - 8 bar
Operating temperature water max.	30 °C

Additional Note

Flush plate; Pneumatic control, pre-mounted on mounting frame; Pneumatic valve; Fastening material

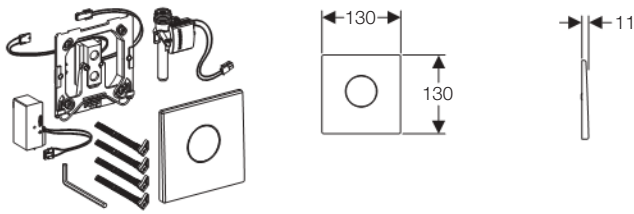
Ordering Information

Article no.	Colour	PU1
116.013.FW.1	Brushed stainless steel	1

Product Guide

Duofix urinal frames

HyTronic infra-red urinal control, mains powered, Mambo



Application

- For automatic flush actuation of urinals
- For assembly in installation set

Characteristics

- Automatic flush actuation, user-controlled
- Infra-red detection with background fade-out
- Ready for operation after mains connection
- Power-failure control system
- Flush actuation can be deactivated using HyTronic Clean Handy
- Dynamic flushing time adjustment
- Stainless steel cover plate, with securing bar

Product Details

Interval flush factory setting	24 h
Interval flush adjustment range	1 - 168 h
Flow rate at 1 bar	0.3 / 0.24 (with flow limiter) l/s
Test pressure water	16 bar
Test pressure air / inert gas	3 bar
Activation time	7 s
Activation time range	3 - 15 s
Mains frequency	50 - 60 Hz
Power input	< 0.5 W
Protection degree	IP 45
Nominal voltage	110 - 240 V AC
Operating voltage	4.5 V DC
Default flush time	4 s
Flush time range	3 - 15 s
Humidity	< 100 % relative
Press Op Range	1 - 8 bar
Operating temperature water max.	30 °C

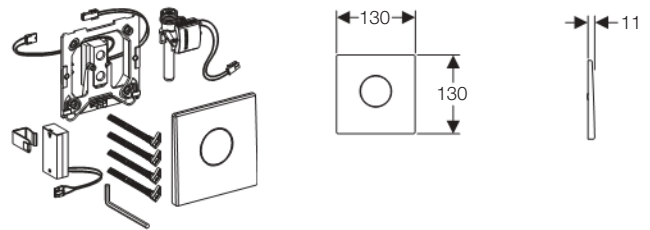
Additional Note

Cover plate with infra-red window; Infra-red control, premounted on mounting frame; Power supply unit; Solenoid valve; Fastening material

Ordering Information

Article no.	Colour	PU1
116.023.FW.1	Brushed stainless steel	1

HyTronic infra-red urinal control, battery powered, Mambo



Application

- For automatic flush actuation of urinals
- For assembly in installation set

Characteristics

- Automatic flush actuation, user-controlled
- Infra-red detection with background fade-out
- Warning if the battery is low
- Functions can be adjusted and queried with HyTronic Service Handy
- Flush actuation can be deactivated using HyTronic Clean Handy
- Dynamic flushing time adjustment
- Stainless steel cover plate, with securing bar

Product Details

Interval flush factory setting	24 h
Interval flush adjustment range	1 - 168 h
Flow rate at 1 bar	0.3 / 0.24 (with flow limiter) l/s
Test pressure water	16 bar
Test pressure air / inert gas	3 bar
Battery lifetime Lithium	~ 2 years
Battery lifetime Alkaline	~ 1.5 years
Activation time	7 s
Activation time range	3 - 15 s
Battery type	Lithium 1.5 V (AA)
Power input	< 0.5 W
Protection degree	IP 45
Operating voltage	3 V DC
Default flush time	4 s
Flush time range	3 - 15 s
Humidity	< 100 % relative
Press Op Range	1 - 8 bar
Operating temperature water max.	30 °C

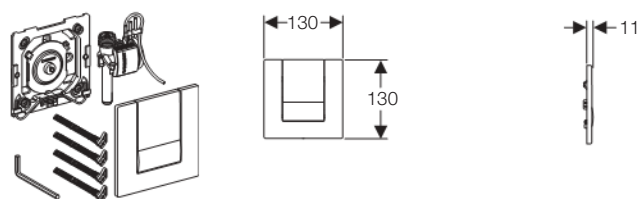
Additional Note

Cover plate with infra-red window; Infra-red control, premounted on mounting frame; Battery box; 2 lithium batteries; Solenoid valve; Fastening material

Ordering Information

Article no.	Colour	PU1
116.033.FW.1	Brushed stainless steel	1

HyTouch hand operated pneumatic urinal control, Tango



Application

- For manual flush actuation of urinals
- For assembly in installation set

Characteristics

- Manual flush actuation
- Low flush actuation force
- Flush actuation when the actuator button is released
- Flush time setting with air nozzles (pneumatic)
- Die-cast zinc actuator plate, with securing bar

Product Details

Flow rate at 1 bar	0.3 / 0.24 (with flow limiter) l/s
Test pressure water	16 bar
Test pressure air / inert gas	3 bar
Actuation force	< 10 N
Flush time range	4 / 8 / 12 s
Humidity	< 100 % relative
Press Op Range	1 - 8 bar
Operating temperature water max.	30 °C

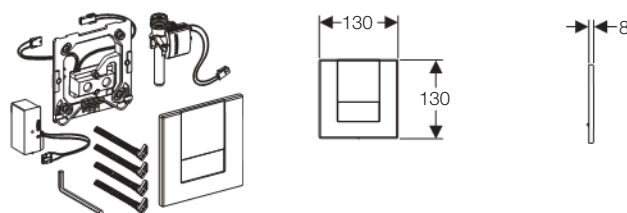
Additional Note

Flush plate; Pneumatic control, pre-mounted on mounting frame;
Pneumatic valve; Fastening material

Ordering Information

Article no.	Colour	PU1
116.014.11.1	White alpine	1
116.014.21.1	Gloss chrome	1
116.014.46.1	Matt chrome	1

HyTronic infra-red urinal control, mains powered, Tango



Application

- For automatic flush actuation of urinals
- For assembly in installation set

Characteristics

- Automatic flush actuation, user-controlled
- Infra-red detection with background fade-out
- Ready for operation after mains connection
- Power-failure control system
- Functions can be adjusted and queried with HyTronic Service Handy
- Flush actuation can be deactivated using HyTronic Clean Handy
- Dynamic flushing time adjustment
- Die-cast zinc cover plate, with securing bar

Product Details

Interval flush factory setting	24 h
Interval flush adjustment range	1 - 168 h
Flow rate at 1 bar	0.3 / 0.24 (with flow limiter) l/s
Test pressure water	16 bar
Test pressure air / inert gas	3 bar
Activation time	7 s
Activation time range	3 - 15 s
Mains frequency	50 - 60 Hz
Power input	< 0.5 W
Protection degree	IP 45
Nominal voltage	110 - 240 V AC
Operating voltage	4.5 V DC
Default flush time	4 s
Flush time range	3 - 15 s
Humidity	< 100 % relative
Press Op Range	1 - 8 bar
Operating temperature water max.	30 °C

Additional Note

Cover plate with infra-red window; Infra-red control, pre-mounted on mounting frame; Power supply unit; Solenoid valve; Fastening material

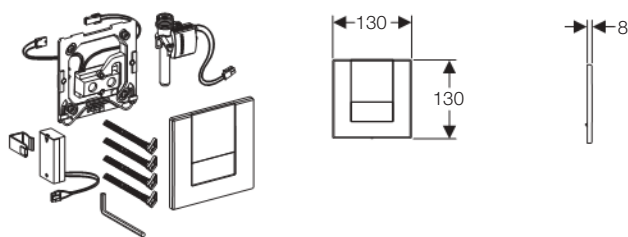
Ordering Information

Article no.	Colour	PU1
116.024.11.1	White alpine	1
116.024.21.1	Gloss chrome	1
116.024.46.1	Matt chrome	1

Product Guide

Accessories

HyTronic infra-red urinal control, battery powered, Tango



Application

- For automatic flush actuation of urinals
- For assembly in installation set

Characteristics

- Automatic flush actuation, user-controlled
- Infra-red detection with background fade-out
- Warning if the battery is low
- Functions can be adjusted and queried with HyTronic Service Handy
- Flush actuation can be deactivated using HyTronic Clean Handy
- Dynamic flushing time adjustment
- Die-cast zinc cover plate, with securing bar

Product Details

Interval flush factory setting	24 h
Interval flush adjustment range	1 - 168 h
Flow rate at 1 bar	0.3 / 0.24 (with flow limiter) l/s
Test pressure water	16 bar
Test pressure air / inert gas	3 bar
Battery lifetime Lithium	~ 2 years
Battery lifetime Alkaline	~ 1.5 years
Activation time	7 s
Activation time range	3 - 15 s
Battery type	Lithium 1.5 V (AA)
Power input	< 0.5 W
Protection degree	IP 45
Operating voltage	3 V DC
Default flush time	4 s
Flush time range	3 - 15 s
Humidity	< 100 % relative
Press Op Range	1 - 8 bar
Operating temperature water max.	30 °C

Additional Note

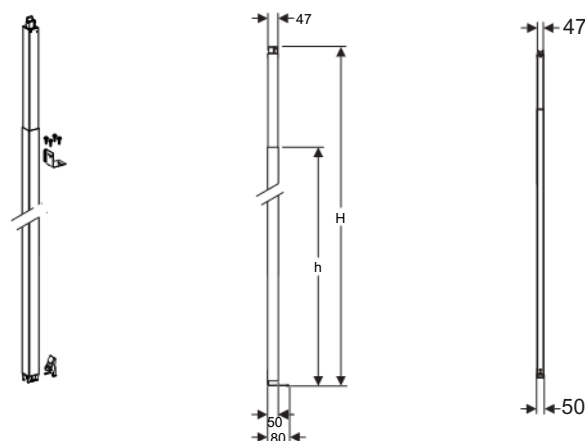
Cover plate with infra-red window; Infra-red control, premounted on mounting frame; Battery box; 2 lithium batteries; Solenoid valve; Fastening material

Ordering Information

Article no.	Colour	PU1
116.034.11.1	White alpine	1
116.034.21.1	Gloss chrome	1
116.034.46.1	Matt chrome	1

Accessories

Duofix full height stud



Application

- For creating a load bearing stud wall
- For installation in a room-high Duofix system wall
- For installing as intermediate or connecting element
- For fastening Duofix installation elements and Duofix cross bars
- Suitable for installation under sloping roofs up to 50° roof slope

Characteristics

- Galvanised
- Height-adjustable (telescopic)

Product Details

Product material	Steel
------------------	-------

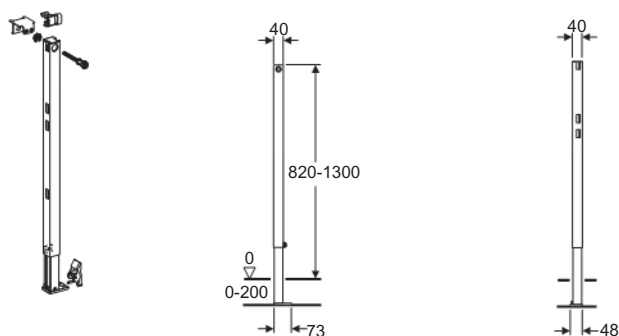
Additional Note

1 rail clip; Fastening bracket; Fastening material

Ordering Information

Article no.	H cm	h cm	PU1
111.871.00.1	220 - 280	211	1
111.872.00.1	260 - 320	251	1
111.873.00.1	300 - 360	291	1
111.874.00.1	340 - 400	331	1

Duofix support bracket leg and bracket



Application

- For installation in split-height pre-wall construction in front of a solid or drywall construction
- For installation in a partial-height Duofix system wall in front of a solid or drywall construction
- For a screed of 0 - 200 mm

Characteristics

- Element height 820 - 1300 mm
- Self-supporting
- Support for lateral panelling
- Galvanised leg supports, steplessly adjustable 0 - 200 mm
- Rotating foot plate, for installation in UW50 and UW75 profiles
- Powder-coated, colour Geberit blue

Product Details

Product material	Steel
------------------	-------

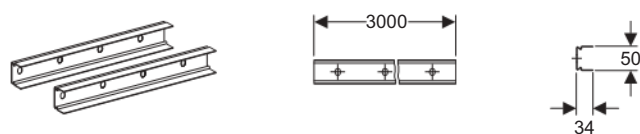
Additional Note

Rear wall fastening; 2 rail clips; Fastening material

Ordering Information

Article no.	PU1	PU2	PU4
111.830.00.1	1	5	50

Duofix system rail



Application

- For construction of Duofix pre-wall or partition wall
- For erecting room-high Duofix system wall

Characteristics

- Galvanised

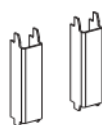
Additional Note

2 U-rails; Fastening material

Ordering Information

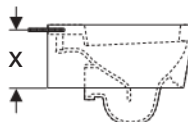
Article no.	PU1	PU4
111.878.00.1	1	80

Duofix support brackets for shallow WC



Application

- For additional support of WC pans with contact surfaces (x) smaller than 170 mm



- For use with Duofix WC frames

Characteristics

- U-profiles, galvanised

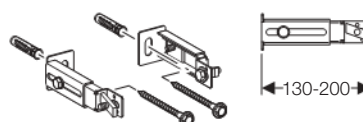
Product Details

Product material	Steel
------------------	-------

Ordering Information

Article no.	PU1
111.847.00.1	1

Duofix feet-fixing to backwall



Application

- For alternatively fastening the feet of Duofix elements to the rear wall instead of the floor

Characteristics

- Galvanised
- Adjustable depth, 130 - 200 mm

Product Details

Product material	Steel
------------------	-------

Additional Note

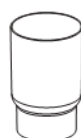
Fastening material

Ordering Information

Article no.	PU1
111.867.00.1	1

Low flush beaker for UP200

New



Application

- For Geberit concealed cistern UP200

Ordering Information

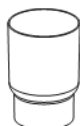
Article no.	PU1
242.310.00.1	NEW 1

Product Guide

Accessories

Low flush beaker for UP320

New



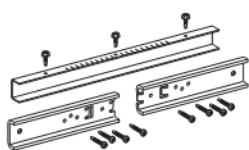
Application

- For Geberit UP320 concealed cistern
- For Geberit concealed cistern UP300

Ordering Information

Article no.		PU1
241.894.00.1	NEW	1

Duofix support brackets for large washbasin



Application

- For fastening washbasins with a fastening distance larger than 380 mm to Duofix frame for washbasin

Characteristics

- Fastening distance adjustable 380 - 580 mm
- Galvanised

Product Details

Product material	Steel
------------------	-------

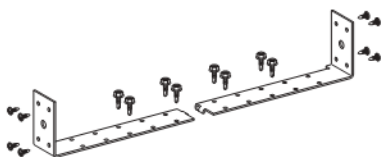
Additional Note

Fastening material

Ordering Information

Article no.	PU1
111.868.00.1	1

Duofix extension angle brackets



Application

- For fastening Duofix frames between two studs with a distance of 500 - 650 mm

Characteristics

- Galvanised

Product Details

Product material	Steel
------------------	-------

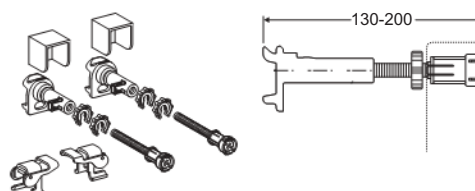
Additional Note

Fastening material

Ordering Information

Article no.	PU1
111.869.00.1	1

Duofix pre-wall brackets - Universal



Application

- For fastening Duofix frames in Duofix system rail
- For fastening Duofix frames in front of solid or drywall construction

Characteristics

- Galvanised
- Adjustable depth, 130 - 200 mm

Product Details

Product material	Diecast zinc
------------------	--------------

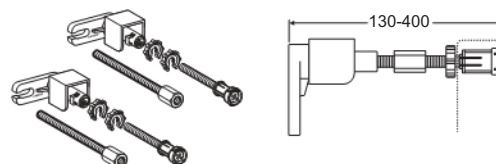
Additional Note

2 Duofix pre-wall brackets for system; 2 rail clips; 2 panelling supports, push-in; Fastening material

Ordering Information

Article no.	PU1	PU2	PU4
111.844.00.1	1	8	384

Duofix pre-wall brackets with extension set



Application

- For fastening Duofix frames in front of solid or drywall construction
- Not suitable for use with Duofix system rail

Characteristics

- Galvanised
- Adjustable depth, 130 - 400 mm

Product Details

Product material	Diecast zinc
------------------	--------------

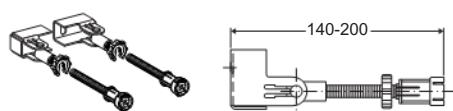
Additional Note

2 pre-wall brackets; 2 M10 threaded rods with long nut; 2 Duofix pre-wall bracket extensions M10 with long nut; 2 panelling supports, push-in; Fastening material

Ordering Information

Article no.	PU1
111.843.00.1	1

Duofix corner pre-wall brackets



Application

- For universal fastening of Duofix installation elements to a solid or drywall construction

Characteristics

- Variable angle adaptation for corner installation
- Adjustable depth, 140 - 200 mm
- Galvanised

Additional Note

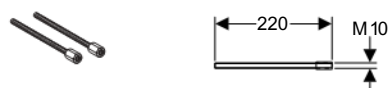
2 pre-wall brackets; 2 M10 threaded rods with long nut; Fastening material

Excluded: Panelling supports, push-in

Ordering Information

Article no.	PU1	PU2	PU4
111.835.00.1	1	20	560

Duofix pre-wall extension bolts



Application

- For extending Duofix wall anchorings from 200 - 400 mm

Product Details

Product material	Diecast zinc
------------------	--------------

Additional Note

2 M10 threaded rods with long nut

Ordering Information

Article no.	PU1	PU2	PU4
111.887.00.1	1	10	2000

Galvanised plasterboard screw



Application

- For fastening of the panelling and Aqua plasterboard panels to the Duofix support system

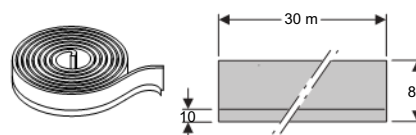
Characteristics

- Self-drilling screws 4.2 x 35 mm

Ordering Information

Article no.	PU2	PU3	PU4
461.030.00.1	200	2000	20000

Duofix insulating strip



Application

- To avoid the formation of cracks between Duofix panelling and building structure

Characteristics

- Single-sided self-adhesive
- Permanently elastic
- Vinyl foam tape

Ordering Information

Article no.	PU1	PU4
111.889.00.1	1	60

HyTronic Service Handy



Application

- For setting and enquiry of setting values of various electronic Geberit products such as washbasin taps, WC flush actuators, urinal controls and sanitary flushings

Characteristics

- 4-line display
- Menu guidance
- Saving and transfer of settings to other control units of the same type
- Compatible with existing control units
- Data transmission with infra-red light
- Battery-operated

Additional Note

Pouch; 3 batteries type AAA 1.5 V

Ordering Information

Article no.	PU1
115.860.00.1	1

HyTronic Clean Handy



Application

- For deactivation of infra-red controlled Geberit flushing valves and flush actuators for sanitary cleaning

Characteristics

- Remote control

Additional Note

Concise instructions

Ordering Information

Article no.	PU1	PU2
115.831.00.1	1	10

Product Guide

Accessories

Monolith bottom water connection set New



Application

- For use in bottom connections

Ordering Information

Article no.		PU1
131.074.00.1	NEW	1

Monolith drainage connection set BTW-WC New



Application

- For connecting floor-standing WC to floor outlet

Additional Note

WC outlet bend, HDPE, ø 90 mm; Adaptor sleeve, HDPE, ø 90/110 mm; Rubber seal EPDM; Fastening material

Ordering Information

Article no.		Colour	PU1
131.082.16.1	NEW	Black	1

Monolith step pipe for BTW & wall-hung WC New



Application

- For compensating the offset between the WC connection and the wall outlet

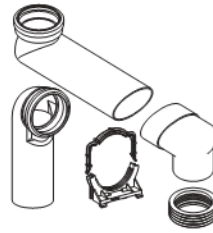
Additional Note

WC outlet pipe, 3 cm offset, HDPE, ø 90 mm

Ordering Information

Article no.		Colour	PU1
131.085.11.1	NEW	White alpine	1

S-bend for Monolith for wall-hung WC New



Application

- For connecting wall-hung WC to floor outlet

Additional Note

S-bend, PVC; WC outlet bend, HDPE, ø 90 mm

Ordering Information

Article no.		Colour	PU1
131.088.29.1	NEW	Grey	1

Monolith straight pipe for BTW-WC New



Application

- For connecting floor-standing WC to wall outlet

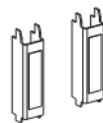
Additional Note

WC outlet pipe, HDPE, ø 90 mm; Adaptor sleeve, HDPE, ø 90/110 mm

Ordering Information

Article no.		Colour	PU1
131.083.16.1	NEW	Black	1

Monolith support brackets for shallow wall-hung WC New



Ordering Information

Article no.		
131.105.00.1	NEW	

Stainless steel connection hose

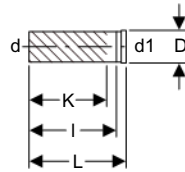


Ordering Information

Article no.	PU1
241.854.00.1	1

Drainage

Duofix straight connector



Application

- For all drainage pipes
- For push-on seal
- For WCs with horizontal outlet
- For Duofix WC frames

Characteristics

- UV-resistant

Product Details

Product material	PE-HD
------------------	-------

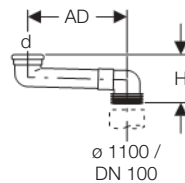
Additional Note

Lip seal EPDM; Protection cap

Ordering Information

Article no.	dØ mm	d1Ø mm	D cm	L cm	I cm	K cm	Colour	PU1	PU3	PU4
366.887.16.1	90	90	11,2	31	27,5	24	Black	1	40	160

Duofix WC S-Bend outlet



Product Details

Product material	PVC
------------------	-----

Additional Note

Lip seal EPDM; Sealing collar EPDM; Adhesive PVC-U

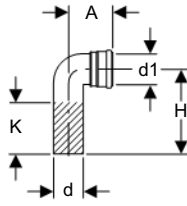
Ordering Information

Article no.	dØ mm	AD cm	H cm	Colour	PU1	PU2	PU4
388.350.29.1	90	14,5 - 34,5	16,7	Grey	1	10	80

Product Guide

Drainage

Duofix 90° bend connector



Application

- For all drainage pipes
- For WCs with horizontal outlet
- For Duofix WC elements

Characteristics

- UV-resistant

Product Details

Angle	90°
Product material	PE-HD

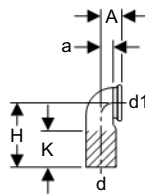
Additional Note

Lip seal EPDM; Protection cap

Ordering Information

Article no.	dØ mm	d1Ø mm	A cm	angle	H cm	K cm	Colour	PU1	PU2	PU4
366.061.16.1	90	90	11	90°	22,5	13	Black	1	10	120

Bend with connector for wall-hung WC



Application

- For all drainage pipes
- For appliances with horizontal outlet

Characteristics

- UV-resistant

Product Details

Angle	90°
Product material	PE-HD

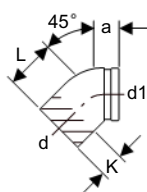
Additional Note

Lip seal EPDM; Protection cap

Ordering Information

Article no.	dØ mm	d1Ø mm	A cm	angle	a cm	H cm	K cm	Colour	PU1	PU2	PU3	PU4
367.792.16.1	110	110	7,5	90°	4,5	22,5	13	Black	1	5	25	100

Duofix 45 ° bend connector



Application

- For all drainage pipes
- For WCs with horizontal outlet
- For Duofix WC frames

Characteristics

- UV-resistant

Product Details

Angle	45°
Product material	PE-HD

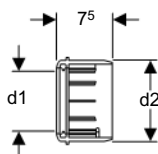
Additional Note

Lip seal EPDM; Protection cap

Ordering Information

Article no.	dØ mm	d1Ø mm	angle	a cm	L cm	K cm	Colour	PU1	PU4
367.945.16.1	110	90	45°	6	8,7	3	Black	1	250

90 / 110 mm adaptor



Application

- For all drainage pipes
- For connecting 90 mm PE connectors to 110 mm sockets

Characteristics

- UV-resistant
- With stop

Product Details

Product material	PE-HD
------------------	-------

Additional Note

Lip seal EPDM

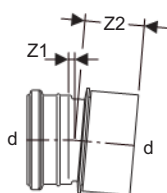
Ordering Information

Article no.	d1Ø mm	d2Ø mm	Colour	PU1	PU2	PU4
367.928.16.1	90	110	Black	1	10	600

Product Guide

Drainage

Duofix manifold connector 5°



Application

- For all drainage pipes
- For Duofix WC frames when using floats

Product Details

Product material	PVC
------------------	-----

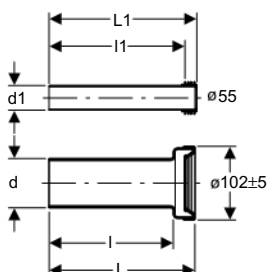
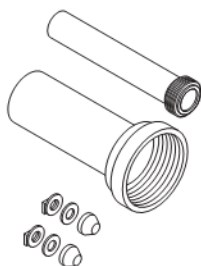
Additional Note

Manifold connector bend; Fin seal; 50 mm length of 110 mm PVC pipe

Ordering Information

Article no.	dØ mm	angle °	Z1 cm	Z2 cm	Colour	PU1	PU3	PU4
107.35.05B	110	5°	0,64	6,23	Black	1	12	360
F107.35.09B	110	9°	0,89	6,28	Black	1	24	720
107.35.14B	110	14°	1,09	6,47	Black	1	12	360
F107.35.18B	110	18°	1,13	6,47	Black	1	12	360
107.35.24B	110	24°	1,4	6,95	Black	1	12	360
F107.35.18B	110	18°	1,13	6,47	Black	1	12	360
107.35.34B	110	34°	1,83	7,73	Black	1	12	360

Extended Duofix WC connection set



Application

- For Duofix WC frames

Product Details

Product material	PE
------------------	----

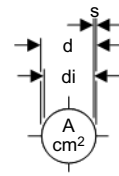
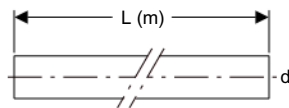
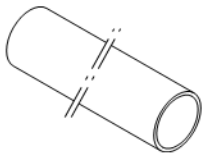
Additional Note

2 cover caps

Ordering Information

Article no.	dØ mm	d1Ø mm	L cm	L1 cm	l cm	l1 cm	Colour	PU1	PU4
152.438.46.1	90	45	26,5	26,5	22	24	Matt chrome	1	164

Flush pipe extension 1 m



Application

- For extension of outlet sleeves
- For combination with overflow pipe cone

Product Details

Product material	PE
------------------	----

Ordering Information

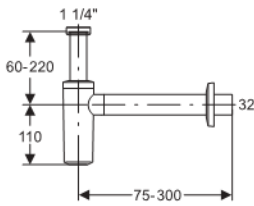
Article no.	dØ mm	diØ mm	s mm	A cm ²	L m	Colour	PU1	PU2	PU4
152.170.16.1	45	40	2,5	12,6	1	Black	1	5	270

Product Guide

Traps

Traps

Washbasin trap chrome with 1 1/4" BSP waste connection and 32 mm outlet



Application

- For washbasin

Characteristics

- Water seal with partition wall
- Corrosion-resistant
- Plug connection on the outlet pipe
- With 32 mm / 1 1/4" waste adaptor

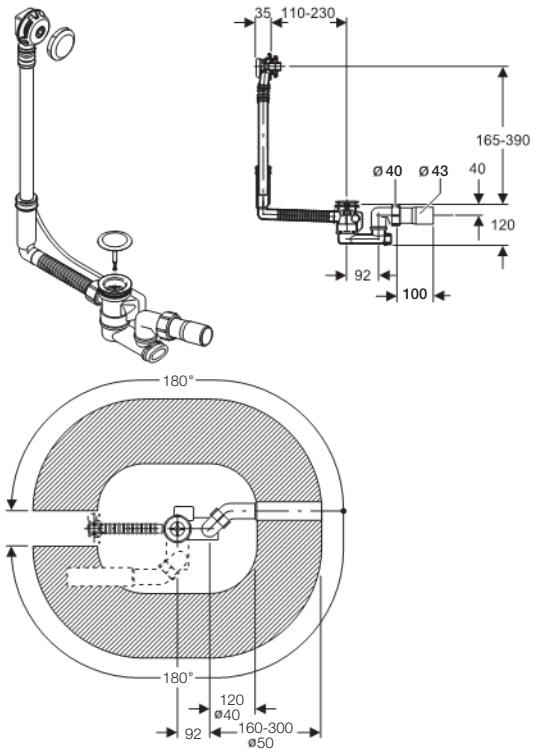
Product Details

Drainage capacity	0.7 l/s
Trap height	75 mm

Ordering Information

Article no.	Colour	PU1
151.039.21.1	Gloss chrome	1

Bath trap, overflow and chrome pop-up waste standard



Characteristics

- Without contraflow principle
- Bathtub outlet and overflow assembly
- Water seal
- Pop-up operation
- Outlet connection can be rotated as needed
- With 40 mm / 1 1/2" waste adaptor

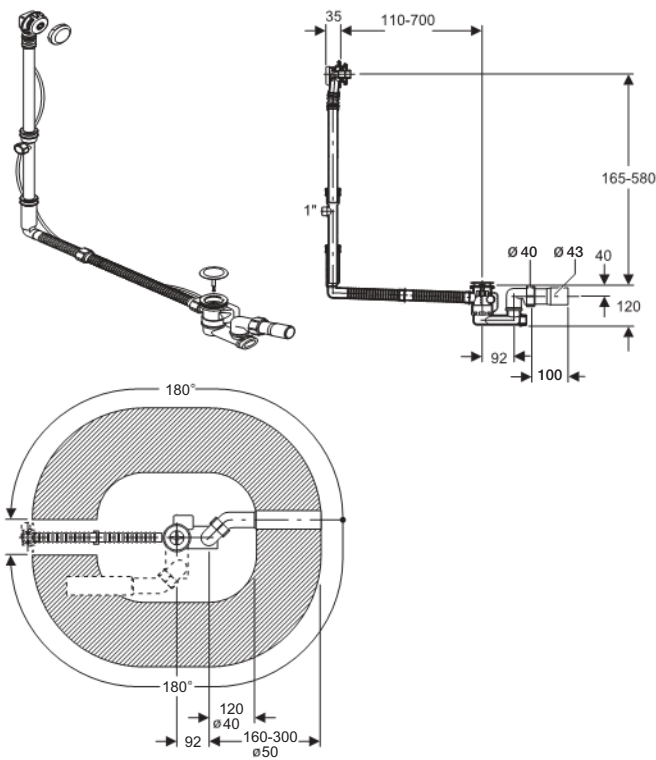
Additional Note

Trap; Cable actuator; Overflow; Outlet bend; Adaptor; Fastening material; Outlet cover

Ordering Information

Article no.	Colour	PU1	PU2
150.535.21.1	Gloss chrome	1	10

Bath trap, overflow and chrome pop-up waste large



Characteristics

- Without contraflow principle
- Bathtub outlet and overflow assembly
- Water seal
- Pop-up operation
- Outlet connection can be rotated as needed
- With 40 mm / 1 1/2" waste adaptor

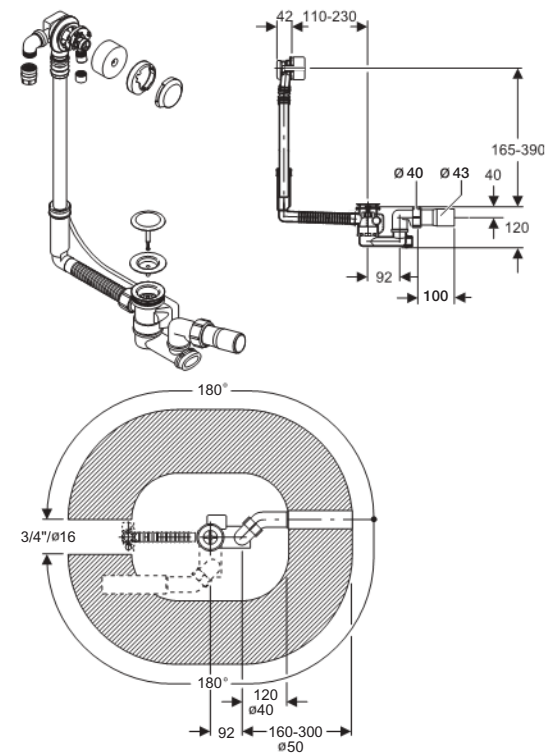
Additional Note

Trap; Cable actuator; Overflow; T-piece; Outlet bend; Adaptor; Fastening material; Outlet cover

Ordering Information

Article no.	Colour	PU1	PU2
150.536.21.1	Gloss chrome	1	8

Bath trap, overflow and filler, chrome pop-up waste standard



Characteristics

- Bathtub drain, overflow and inlet set
- Water seal
- Pop-up operation
- Outlet connection can be rotated as needed
- Direction of inlet jet flexible
- Water supply connection bracket can be rotated
- Water supply connection bracket suitable for Mepla pipes
- Without contraflow principle
- With 40 mm / 1 1/2" waste adaptor

Additional Note

Trap; Cable actuator; Overflow; Water inlet; Water supply connection bracket; Outlet bend; Adaptor; Fastening material; Outlet cover

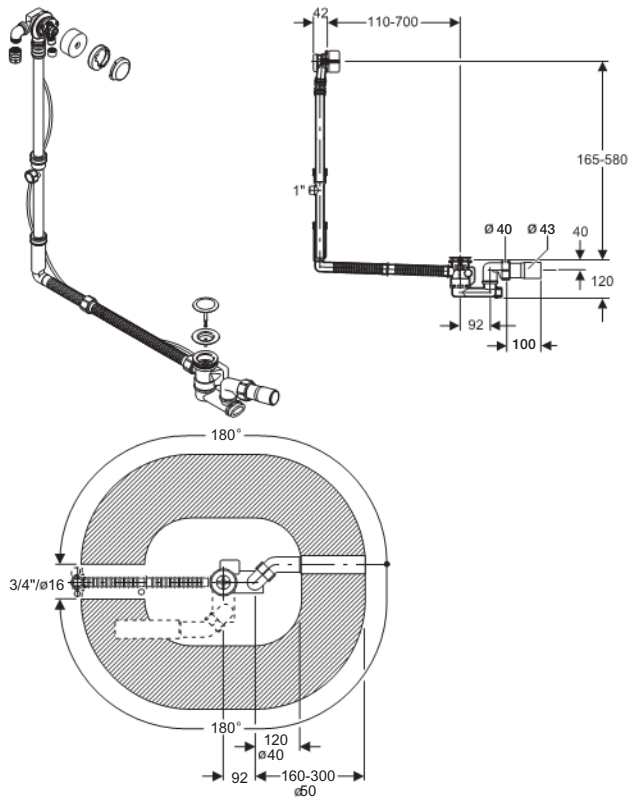
Ordering Information

Article no.	Colour	PU1	PU2
150.712.21.1	Gloss chrome	1	12

Product Guide

Traps

Bath trap, overflow and filler, chrome pop-up waste large



Characteristics

- Bathtub drain, overflow and inlet set
- Water seal
- Pop-up operation
- Outlet connection can be rotated as needed
- Direction of inlet jet flexible
- Water supply connection bracket can be rotated
- Water supply connection bracket suitable for Mepla pipes
- Without contraflow principle
- With 40 mm / 1 1/2" waste adaptor

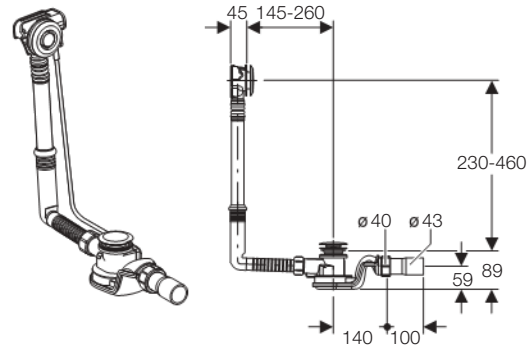
Additional Note

Trap; Cable actuator; Overflow; Water inlet; T-piece; Water supply connection bracket; Outlet bend; Adaptor; Fastening material; Outlet cover

Ordering Information

Article no.	Colour	PU1	PU2
150.713.21.1	Gloss chrome	1	12

PushControl bath trap, overflow and chrome pop-up waste, standard



Application

- For bathtubs with valve hole \varnothing 52 mm
- For bathtubs in standard size
- To fit most european bath tubs

Characteristics

- Bathtub drain with push button actuation virtually flush with the tub
- Construction height trap 90 mm
- Odour trap 270° swivelling
- Drain valve made from stainless steel
- With 40 mm / 1 1/2" waste adaptor

Product Details

Drainage capacity	1 l/s
Overflow capacity	0.65 l/s
Trap height	50 mm

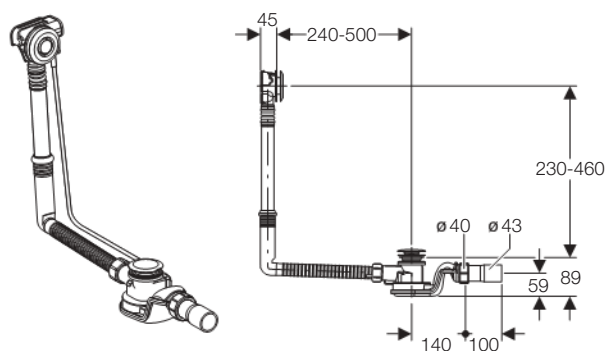
Additional Note

Drain valve; Trap; Overflow; Cable actuator; Ready-to-fit set; Outlet pipe

Ordering Information

Article no.	Colour	PU1	PU2	PU4
150.770.11.1	NEW White alpine	1	10	80
150.770.21.1	Gloss chrome	1	10	80

PushControl bath trap, overflow and chrome pop-up waste, long



Application

- For bathtubs with valve hole ø 52 mm
- For installation in bathtubs with special lengths
- To fit most european bath tubs

Characteristics

- Bathtub drain with push button actuation virtually flush with the tub
- Construction height trap 90 mm
- Odour trap 270° swivelling
- Drain valve made from stainless steel
- With 40 mm / 1 1/2" waste adaptor

Product Details

Drainage capacity	1 l/s
Overflow capacity	0.65 l/s
Trap height	50 mm

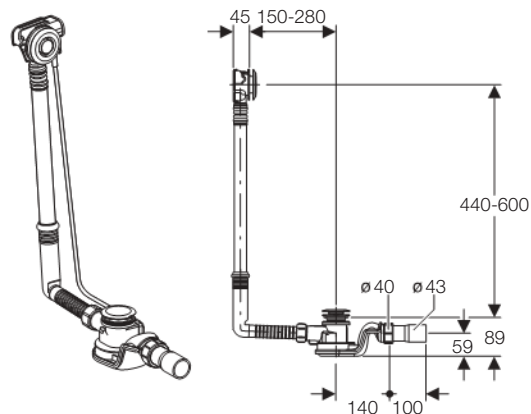
Additional Note

Drain valve; Trap; Overflow; Cable actuator; Ready-to-fit set; Outlet pipe

Ordering Information

Article no.	Colour	PU1	PU2	PU4
150.771.11.1	NEW White alpine	1	10	80
150.771.21.1	Gloss chrome	1	10	80

PushControl bath trap, overflow and chrome pop-up waste, high



Application

- For bathtubs with valve hole ø 52 mm
- For installation in bathtubs with special heights
- To fit most european bath tubs

Characteristics

- Bathtub drain with push button actuation virtually flush with the tub
- Construction height trap 90 mm
- Odour trap 270° swivelling
- Drain valve made from stainless steel
- With 40 mm / 1 1/2" waste adaptor

Product Details

Drainage capacity	1 l/s
Overflow capacity	0.65 l/s
Trap height	50 mm

Additional Note

Drain valve; Trap; Overflow; Cable actuator; Ready-to-fit set; Outlet pipe

Ordering Information

Article no.	Colour	PU1	PU2	PU4
150.772.11.1	NEW White alpine	1	10	80
150.772.21.1	Gloss chrome	1	10	80

Extended connection set for thicker baths



Application

- For acrylic bathtubs with overflow

Additional Note

Drain valve seat extension with O-ring; Banjo bolt; Adjusting screw

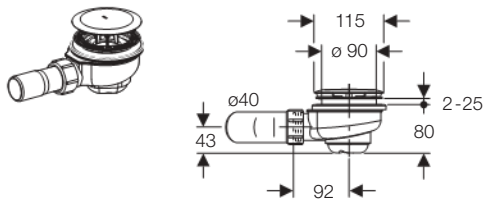
Ordering Information

Article no.	PU1
150.247.00.1	1

Product Guide

Traps

Shower tray trap and waste 90 mm



Application

- For shower trays with valve hole \varnothing 90 mm
- For shower trays without overflow

Characteristics

- Dip tube and dip tube support can be dismantled
- Construction height 80 mm
- With 40 mm / 1 1/2" waste adaptor

Product Details

Drainage capacity	0.5 l/s
Trap height	50 mm

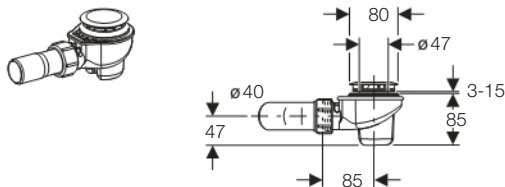
Additional Note

Trap; Screw connection \varnothing 40 mm; Outlet bend; Adaptor; Fastening material; Outlet cover

Ordering Information

Article no.	Colour	PU1
150.679.21.1	Gloss chrome	1

Shower tray trap and waste 50 mm



Application

- For shower trays with valve hole \varnothing 52 mm
- For shower trays without overflow

Characteristics

- Dip tube and dip tube support can be dismantled
- Construction height 85 mm
- With 40 mm / 1 1/2" waste adaptor

Product Details

Drainage capacity	0.4 l/s
Trap height	50 mm

Additional Note

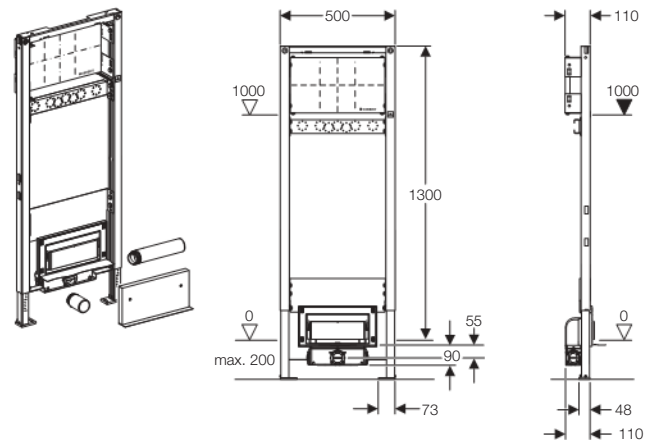
Trap; Outlet bend; Adaptor; Outlet cover

Ordering Information

Article no.	d \varnothing	Colour	PU1	PU2
150.688.21.1	40	Gloss chrome	1	10

Duofix shower element

New



Application

- For a screed of max. 200 mm
- For use within buildings
- For drainage of wet room installations
- For use with composite seals
- For installation in part-height or room-height drywall construction in front of a solid or drywall construction
- Suitable for installation in Duofix system rail

Characteristics

- Self-supporting
- Frame with C profile 40/40 mm
- Powder-coated, Geberit blue
- For structures on the floor, leg supports retractable to -50 mm
- Rotating foot plate, for installation in UW50 and UW75 profiles
- Height-adjustable element, adjustable sealing level
- Mounting plate (wood) for surface-mounted and concealed taps, height- and depth-adjustable
- Mounting plate (metal) for surface-mounted taps, height-adjustable
- Sealing level for sealing connection that is free of tension
- Outlet body with drainage capacity of 0.85 l/s
- Trap insert can be removed for cleaning
- Drainage connection left, right or front centre

Additional Note

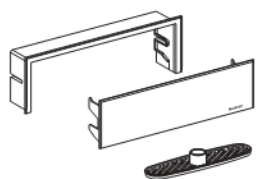
Fastening material; Bidet outlet bend, HDPE, \varnothing 50 mm; Outlet pipe, HDPE, \varnothing 50 mm

Excluded: Ready-to-fit set for shower element; Tap connections

Ordering Information

Article no.	PU1
111.731.00.1	1

Ready-to-fit set for Duofix shower element, stainless steel **New**



Application

- For use with Geberit Duofix shower element

Characteristics

- Can be removed for cleaning
- Plastic sight frame, mother-of-pearl silver
- Brushed stainless steel cover

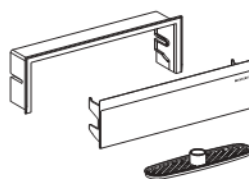
Additional Note

Sight frame; Cover; Hair sieve

Ordering Information

Article no.	Colour	PU1	PU2
154.330.FW.1	NEW Brushed stainless steel	1	21

Ready-to-fit set for Duofix shower element, gloss chrome **New**



Application

- For use with Geberit Duofix shower element

Characteristics

- Can be removed for cleaning
- Plastic sight frame, mother-of-pearl silver
- Plastic cover, gloss chrome

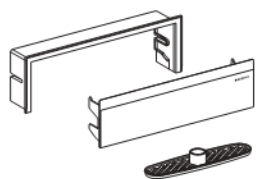
Additional Note

Sight frame; Cover; Hair sieve

Ordering Information

Article no.	Colour	PU1	PU2
154.330.21.1	NEW Gloss chrome	1	21

Ready-to-fit set for Duofix shower element, white **New**



Application

- For use with Geberit Duofix shower element

Characteristics

- Can be removed for cleaning
- Plastic sight frame, mother-of-pearl silver
- Plastic cover, white alpine

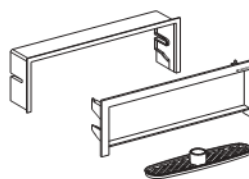
Additional Note

Sight frame; Cover; Hair sieve

Ordering Information

Article no.	Colour	PU1	PU2
154.330.11.1	NEW White alpine	1	21

Ready-to-fit set for Duofix shower element, bespoke **New**



Application

- For use with Geberit Duofix shower element

Characteristics

- Can be removed for cleaning
- Plastic sight frame, black
- For customers to install a bespoke finish with a thickness of 6 mm - 26 mm

Additional Note

Sight frame; Cover; Hair sieve

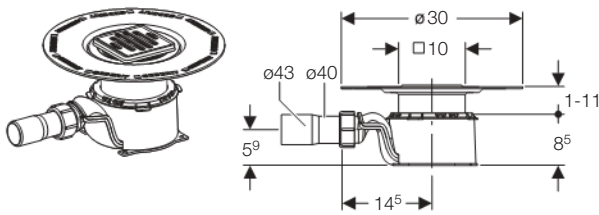
Ordering Information

Article no.	PU1	PU2
154.330.00.1	NEW 1	21

Product Guide

Traps

Uniflex drain for flat showers



Application

- For the drainage of a wet room installation
- For thin bed applications
- For use within buildings

Characteristics

- Minimal construction height 95 mm
- Grating frame and grating made of stainless steel
- Sealing collar, fleece-laminated 500 x 500 mm
- Vernier adjustment of grating in height, inclination and off-set possible via compensating ring
- With 40 mm / 1 1/2" waste adaptor

Product Details

Drainage capacity at minimum installation height	0.45 l/s
Drainage capacity at maximum installation height	0.74 l/s
Trap height	50 mm

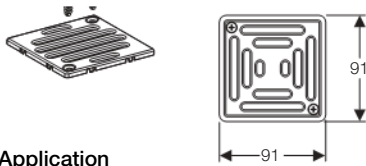
Additional Note

Trap; Adaptor; Thin bed top piece; Grating frame and grating; Rubber collar; Compensating ring; Hair sieve; Seal set for use with PVC ; Protection housing; Installation aid

Ordering Information

Article no.	PU1
154.005.00.1	1

Standard grating screwable



Application

- For the drainage of a wet room installation

Characteristics

- Can be locked with screws
- Grating and screws made of stainless steel

Product Details

Product material	Stainless steel
------------------	-----------------

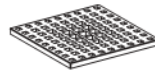
Additional Note

Screws

Ordering Information

Article no.	PU1
154.300.00.1	1

Design grating - architectural, squares



Application

- For the drainage of a wet room installation

Characteristics

- Without screw connection

Product Details

Product material	Stainless steel
------------------	-----------------

Ordering Information

Article no.	PU1
154.301.00.1	1

Design grating - architectural, radial



Application

- For the drainage of a wet room installation

Characteristics

- Without screw connection

Product Details

Product material	Stainless steel
------------------	-----------------

Ordering Information

Article no.	PU1
154.302.00.1	1

Design grating - trendy



Application

- For the drainage of a wet room installation

Characteristics

- Without screw connection

Product Details

Product material	Stainless steel
------------------	-----------------

Ordering Information

Article no.	PU1
154.303.00.1	1

Design grating - classic, natural



Application

- For the drainage of a wet room installation

Characteristics

- Without screw connection

Product Details

Product material	Stainless steel
------------------	-----------------

Ordering Information

Article no.	PU1
154.304.00.1	1

Design grating - puristic, square



Application

- For the drainage of a wet room installation

Characteristics

- Without screw connection

Product Details

Product material	Stainless steel
------------------	-----------------

Ordering Information

Article no.	PU1
154.305.00.1	1

Design grating - puristic, circle



Application

- For the drainage of a wet room installation

Characteristics

- Without screw connection

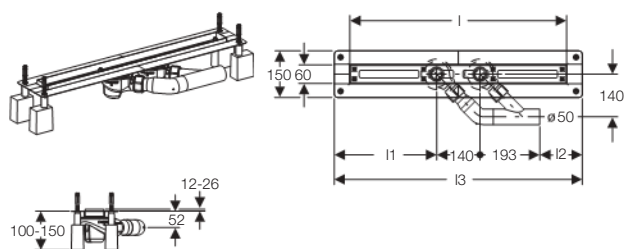
Product Details

Product material	Stainless steel
------------------	-----------------

Ordering Information

Article no.	PU1
154.306.00.1	1

Uniflex shower channel, floor



Application

- For use within buildings
- For the drainage of a wet room installation
- For thin bed applications
- For installing in the room centre

Characteristics

- Minimal construction height 112 mm
- Drainpipe and grating frame made of stainless steel
- Height-adjustable
- Insulation of material noise
- Stress elimination to prevent cracking of ceramic plates
- Vernier adjustment of grating in height, inclination and off-set possible via compensating ring
- Outlet bend \varnothing 50 mm

Product Details

Drainage capacity	0.8 l/s
Trap height	50 mm

Additional Note

2 odour traps, incl. dip tube; Outlet bend; Drainpipe with the installation flange for thin mortar installation; Frame of grating; Rubber collar; 4 feet, incl. acoustic insulation elements; Protection housing; Adhesive; Fastening material

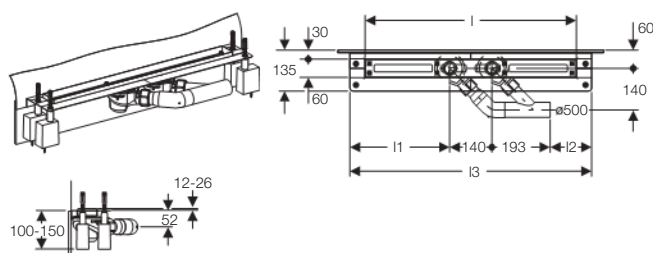
Ordering Information

Article no.	l cm	l1 cm	l2 cm	l3 cm	PU1	PU4
154.100.00.1	70	33	13,7	80	1	20
154.101.00.1	80	38	18,7	90	1	20
154.102.00.1	90	43	23,7	100	1	20
154.103.00.1	100	48	28,7	110	1	20
154.130.00.1	110	53	33,7	120	1	
154.131.00.1	120	58	38,7	130	1	

Product Guide

Traps

Uniflex shower channel, wall



Application

- For use within buildings
- For the drainage of a wet room installation
- For thin bed applications
- For wall mounting

Characteristics

- Minimal construction height 112 mm
- Drainpipe and grating frame made of stainless steel
- Height-adjustable
- Insulation of material noise
- Stress elimination to prevent cracking of ceramic plates
- Vernier adjustment of grating in height, inclination and off-set possible via compensating ring
- Outlet bend \varnothing 50 mm

Product Details

Drainage capacity	0.8 l/s
Trap height	50 mm

Additional Note

2 odour traps, incl. dip tube; Outlet bend; Drainpipe with the installation flange for thin mortar installation; Frame of grating; Rubber collar; 4 feet, incl. acoustic insulation elements; Margin insulation tape for decoupling solid-borne sound; Protection housing; Adhesive; Fastening material

Ordering Information

Article no.	L cm	l1 cm	l2 cm	l3 cm	PU1	PU4
154.105.00.1	70	33	13,7	80	1	20
154.106.00.1	80	38	18,7	90	1	20
154.107.00.1	90	43	23,7	100	1	20
154.108.00.1	100	48	28,7	110	1	20
154.135.00.1	110	53	33,7	120	1	
154.136.00.1	120	58	38,7	130	1	

Ready-to-fit set shower channel, creative set

Application

- For use with bespoke Uniflex shower channel ready-to-fit set

Characteristics

- Production and care instructions for the manufacture of individual design covers

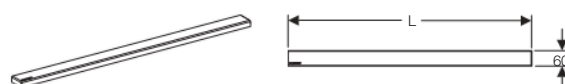
Additional Note

Extraction tool; 10 damping caps (8.5 mm); 10 damping caps (14.5 mm)

Ordering Information

Article no.	PU1
154.299.00.1	1

Ready-to-fit set shower channel, brushed stainless steel



Application

- For use with Uniflex shower channel
- Design cover for Uniflex shower channel

Characteristics

- Stainless steel, brushed

Additional Note

Design cover; 10 damping caps; Extraction tool

Ordering Information

Article no.	L cm	PU1	PU4
154.350.00.1	70	1	40
154.351.00.1	80	1	40
154.352.00.1	90	1	26
154.353.00.1	100	1	26
154.354.00.1	110	1	
154.355.00.1	120	1	

Ready-to-fit set shower channel, bespoke



Application

- For use with Uniflex shower channel

Characteristics

- Lid can be covered with ceramic plates
- Requires 154.299.00.1

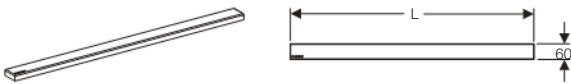
Additional Note

Design cover; Extraction tool

Ordering Information

Article no.	L cm	PU1	PU4
154.360.00.1	69	1	
154.361.00.1	79	1	
154.362.00.1	89	1	
154.363.00.1	99	1	
154.356.00.1	109	1	
154.357.00.1	119	1	20

Ready-to-fit set shower channel, white



Application

- For use with Uniflex shower channel
- Design cover for Uniflex shower channel

Characteristics

- Enamelled steel

Additional Note

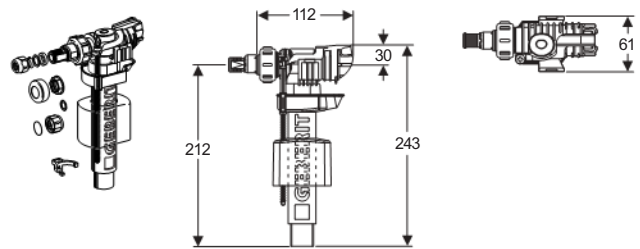
Design cover; Extraction tool

Ordering Information

Article no.	L cm	PU1	PU4
154.364.11.1	70	1	40
154.365.11.1	80	1	40
154.366.11.1	90	1	26
154.367.11.1	100	1	26
154.358.11.1	110	1	
154.359.11.1	120	1	

Fill and flush valves for ceramic cisterns

Impuls380 side filling valve



Application

- For filling cisterns
- For use with grey water (rainwater), providing a filter system is used
- For use with sea water (brass parts must be dezincification-resistant)XXXX
- For use with clean drinking water
- Can be installed in an exposed cistern
- Not suitable for use with water with an elevated chlorine content (swimming pools, etc.)
- Not suitable for use with cleaning agents, disinfectants and colouring agents put into the cistern (contact Geberit if in doubt)

Characteristics

- The filling height can be set by turning the spindle
- The valve opens after the water level drops by 20 mm

Product Details

Flow rate at 0.5 bar	0.07 l/s
Flow rate at 3 bar	0.19 l/s
Line noise at 3 bar	12 dB(A)
Line Noise at 5 bar	18 dB(A)
Flowing pressure range	0.1 - 10 bar
Pressure shock increase at 6 bar	+1 bar
Temperature max. during storage	40 °C
Operating temperature water max.	25 °C

Additional Note

Adaptor; Cone screw fitting; Spacer

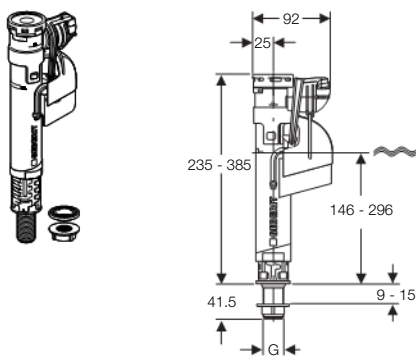
Ordering Information

Article no.	PU1	PU2	PU4
240.700.00.1	1	10	200

Product Guide

Fill and flush valves for ceramic cisterns

Impuls360 bottom filling valve



Application

- For water supply connection at the bottom
- For water supply connection 1/2"

Characteristics

- Height-adjustable

Product Details

Flow rate at 0.5 bar	0.07 l/s
Flow rate at 3 bar	0.19 l/s
Line noise at 3 bar	12 dB(A)
Line Noise at 5 bar	18 dB(A)
Flowing pressure range	0.1 - 10 bar
Pressure shock increase at 6 bar	+1 bar
Temperature max. during storage	40 °C
Operating temperature water max.	25 °C

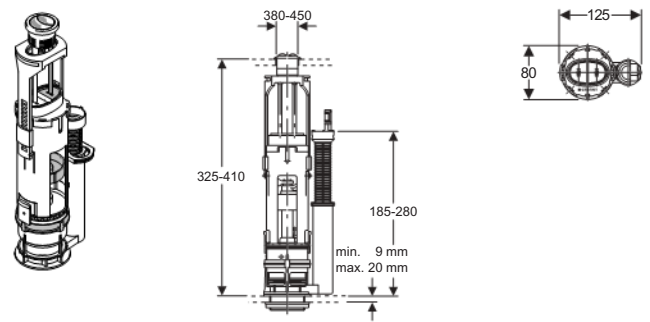
Additional Note

Seal; Nut

Ordering Information

Article no.	PU1	PU2	PU4
281.206.00.1	1	25	600

Impuls260 dual flush valve with "half moon" buttons for ceramic cisterns



Application

- For installation in ceramic cisterns

Characteristics

- Overflow pipe height-adjustable
- Adjustable flush volume depending on amount of water in cistern
- Dual flush actuator with threaded rod for fastening the cistern cover

Product Details

Actuation force	18 N
Temperature max. during storage	40 °C
Operating temperature water max.	25 °C
Flush volume large range	6 / 9 l
Flush volume small range	3 - 4 l

Additional Note

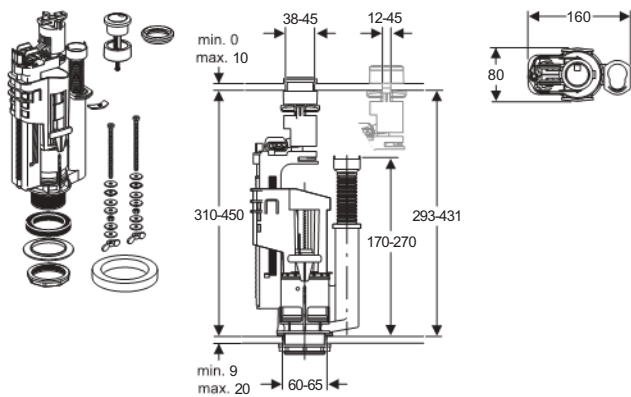
Dual flush unit; Lid attachment; Dual flush actuator; Fastening material; Seals

Excluded: Fill valve

Ordering Information

Article no.	PU1	PU2	PU4
261.157.00.1	1	36	432

Impuls280 dual flush valve with round chrome and blue square flush buttons for ceramic cisterns



Application

- For installation in ceramic cisterns

Characteristics

- Overflow pipe height-adjustable
- Adjustable flush volume depending on amount of water in cistern
- Dual flush actuator with threaded rod for fastening the cistern cover

Product Details

Actuation force	18 N
Temperature max. during storage	40 °C
Operating temperature water max.	25 °C
Flush volume large range	6 / 9 l
Flush volume small range	3 - 4 l

Additional Note

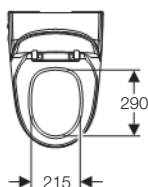
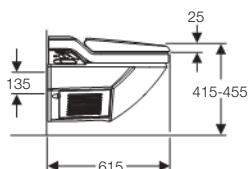
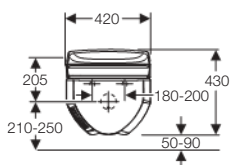
Dual flush unit; Dual flush actuator with rosette; Fastening material; Rosette ø 50 mm

Ordering Information

Article no.	Colour	PU1	PU2	PU4
282.350.KD.1	Gloss chrome / blue	1	30	180

Geberit AquaClean

AquaClean 8000plus wall mounted WC



Application

- For convenient and odourless toilet use
- For gentle cleaning of the anal and vaginal areas with water

Characteristics

- Washdown WC with surface-coated ceramic appliance
- WC seat and lid with lowering function
- Infra-red user detection
- Odour extraction unit can be connected via active carbon filter
- Spray arm with extendable nozzle for anal and vaginal area
- Shower arm position can be set to 7 positions
- Oscillating spray (automatic forwards and reverse motion of the spray arm can be adjusted)
- Pulsating massage spray can be connected
- Adjustable spray intensity
- Automatic pre-rinsing of spray nozzle with fresh water and post-rinsing with Geberit Jetclean 8000 nozzle cleaner
- Integrated hot water tank
- Adjustable storage water heater operating mode (ON/OFF/economy mode)
- Temperature of shower water can be adjusted
- Shower spray gradually cools down continuously during shower procedure
- Warm air dryer can be added
- Dryer arm can be extended
- Temperature of warm air dryer can be adjusted
- 4 user profiles can be programmed
- Water supply connection on the left side
- Functions and settings via remote control

Product Details

Load WC seat / WC lid max.	150 kg
Air volume flow rate dryer	12 m ³ /h
Flow rate anal shower	2,1 - 5,5 l/min
Flow rate lady shower	1,4 - 3,0 l/min
Spray time, factory setting	20 s
Number of shower pressure settings	7
Boiler capacity	1.8 l
Cable length	70 m
Mains frequency	50 - 60 Hz

Power input	1000 W
Power input standby	1 / 9 W
Protection class	I
Protection degree	IP x4
Nominal voltage	230 V AC
Air volume flow rate suction	10 m ³ /h
Water supply pressure range	1 - 10 bar
Air temperature, factory setting	45 °C
Air temperature range	20 - 45 °C
Temperature range during operation	6 - 45 °C
Temperature range during storage	-10 - +60 °C
Water temperature, factory setting	37 °C
Water temperature range	10 - 39 °C

Additional Note

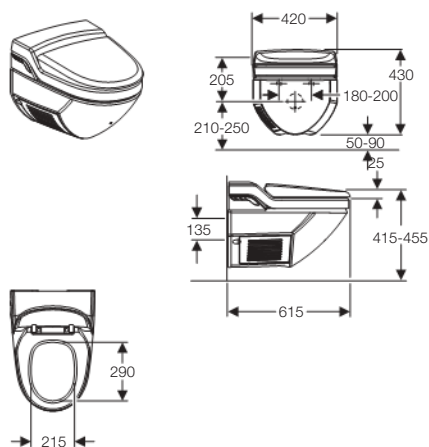
Remote control with LC display, wall-mounted holder and batteries, LR03 (AAA); Cover plate for remote control compartment; Active carbon filter; Nozzle cleaning agent Jetclean 8000; Water supply connection set for UP300 / UP320 concealed cistern; Dryer fan with housing; Acoustic insulation set; Fastening material; Spray shield

Ordering Information

Article no.	Colour	PU1	PU4
180.101.11.1	White alpine	1	6

Using the supplied standard connecting material, all concealed cisterns (except for UP200) can be connected with the prepared conduit pipe. The UP200 concealed cistern additionally requires the reinforced braided hose with T-piece (art. no. 241.819.00.1) to be ordered.

AquaClean 8000 wall mounted WC



Application

- For convenient toilet use
- For gentle cleaning of the anal area with water

Characteristics

- Washdown WC with surface-coated ceramic appliance
- Infra-red user detection
- WC seat and lid with lowering function
- Spray arm with nozzle for anal area, can be extended
- Integrated hot water tank
- Adjustable storage water heater operating mode (ON/OFF/economy mode)
- Oscillating jet (automatic forwards and reverse motion of the spray arm)
- Adjustable spray intensity
- Automatic pre- and post-rinsing of the spray nozzle with fresh water
- Shower spray gradually cools down continuously during shower procedure
- Most recently used settings are stored automatically
- Water supply connection on the left side

Product Details

Load WC seat / WC lid max.	150 kg
Flow rate anal shower	2,1 - 5,5 l/min
Spray time, factory setting	20 s
Number of shower pressure settings	7
Gross weight	34 kg
Boiler capacity	1.8 l
Cable length	70 m
Mains frequency	50 - 60 Hz
Power input	1000 W
Power input standby	1 / 9 W
Protection class	I
Protection degree	IP x4
Nominal voltage	230 V AC
Net weight	27,5 kg
Water supply pressure range	1 - 10 bar
Temperature range during storage	-10 - +60 °C
Water temperature, factory setting	37 °C

Additional Note

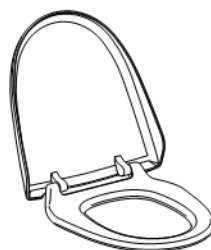
Water supply connection set for UP300 / UP320 concealed cistern;
Acoustic insulation set; Fastening material; Spray shield

Ordering Information

Article no.	Colour	PU1	PU4
146.181.11.1	White alpine	1	6

Using the supplied standard connecting material, all concealed cisterns (except for UP200) can be connected with the prepared conduit pipe. The UP200 concealed cistern additionally requires the reinforced braided hose with T-piece (art. no. 241.819.00.1) to be ordered.

AquaClean 8000plus and AquaClean 8000 seat and lid



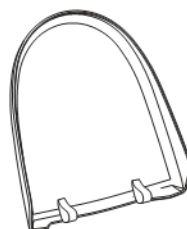
Application

- For use with Balena 8000
- For use with AquaClean 8000plus
- For use with AquaClean 8000

Ordering Information

Article no.	Colour	PU1	PU2
250.034.11.1	White alpine	1	5

AquaClean 8000plus and AquaClean 8000 lid



Application

- For use with Balena 8000
- For use with AquaClean 8000plus
- For use with AquaClean 8000

Ordering Information

Article no.	Colour	PU1	PU2
250.067.11.1	White alpine	1	5

AquaClean 8000plus and AquaClean 8000 seat



Application

- For use with Balena 8000
- For use with AquaClean 8000plus
- For use with AquaClean 8000

Ordering Information

Article no.	Colour	PU1	PU2
250.066.11.1	White alpine	1	5

AquaClean 8000plus and AquaClean 8000 damper, white



Application

- For use with Balena 8000
- For use with AquaClean 8000plus
- For use with AquaClean 8000

Ordering Information

Article no.	PU1	PU2
250.069.00.1	1	10

AquaClean 8000plus remote control



Application

- For use with Balena 8000
- For use with AquaClean 8000plus
- For use with AquaClean 8000plus for non-visible cistern

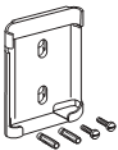
Product Details

Radio frequency	2.4 GHz
-----------------	---------

Ordering Information

Article no.	PU1	PU2
250.043.00.1	1	10

AquaClean 8000plus remote control wall holder



Application

- For use with Balena 8000
- For use with AquaClean 8000plus

Ordering Information

Article no.	PU1	PU2
250.032.00.1	1	5

AquaClean 8000plus and AquaClean 8000 hose for installation with UP200 cistern



Application

- For UP200 concealed cistern with top/front actuation
- For connecting Geberit AquaClean

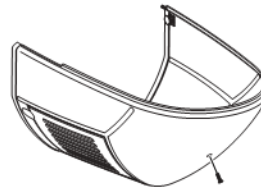
Characteristics

- Special production to meet the standard BS 6920

Ordering Information

Article no.	PU1
241.819.00.1	1

AquaClean 8000plus and AquaClean 8000 casing



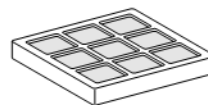
Application

- For use with Balena 8000
- For use with AquaClean 8000plus
- For use with AquaClean 8000plus for non-visible cistern
- For use with AquaClean 8000

Ordering Information

Article no.	Colour	PU1	PU4
250.029.11.1	White alpine	1	6

AquaClean 8000plus and AquaClean 8000 active carbon filter



Application

- For use with Balena 8000
- For use with AquaClean 8000plus

Ordering Information

Article no.	PU1	PU2
250.022.00.1	1	100

AquaClean 8000plus set shower and dryer nozzle



Application

- For use with Balena 8000
- For use with AquaClean 8000plus

Ordering Information

Article no.	PU1	PU2
242.394.00.1	1	10

AquaClean 8000 shower nozzle



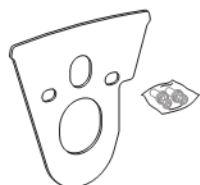
Application

- For use with AquaClean 8000

Ordering Information

Article no.	PU1	PU2
250.071.00.1	1	10

AquaClean 8000plus and AquaClean 8000 acoustic insulation set



Application

- For use with Balena 8000
- For use with AquaClean 8000plus
- For use with AquaClean 8000plus for non-visible cistern
- For use with AquaClean 8000

Additional Note

Sound insulation mat; 2 sleeves

Ordering Information

Article no.	PU1	PU2
250.027.00.1	1	10

AquaClean 8000plus and AquaClean 8000 disinfectant for nozzle cleaning system



Application

- For use with Balena 8000
- For use with AquaClean 8000plus
- For disinfecting the spray nozzles

Characteristics

- To prevent the growth of bacteria
- Dermatologically tested
- For approx. 750 uses (400 ml)

Ordering Information

Article no.	PU1	PU2
250.028.00.1	1	12

AquaClean 8000plus and AquaClean 8000 maintenance flap



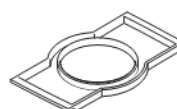
Application

- For use with Balena 8000
- For use with AquaClean 8000plus
- For use with AquaClean 8000
- For use with AquaClean 8000plus for non-visible cistern

Ordering Information

Article no.	Colour	PU1	PU2
250.030.11.1	White alpine	1	5

AquaClean 8000plus and AquaClean 8000 waterstream cover



Application

- For Balena 7000
- For use with AquaClean 4000
- For use with AquaClean 5000
- For use with AquaClean 5000plus
- For use with AquaClean 8000
- For use with AquaClean 8000plus

Ordering Information

Article no.	Colour	PU1	PU2
813.224.15.0	Plastic	1	160