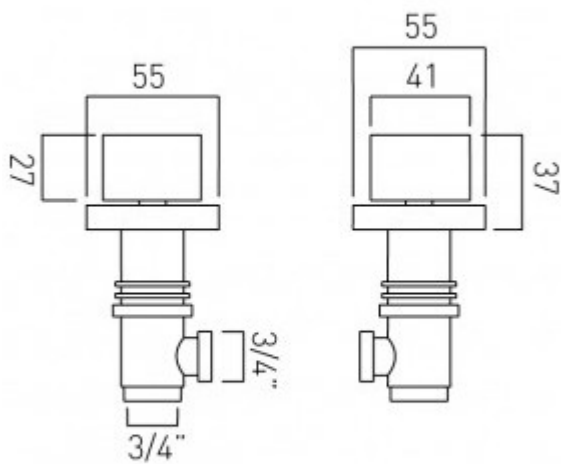


technical drawing



description:

pair of valves 3/4"
deck mounted
ceramic cartridge GEO-VALVE/CD/CL-3/4 and
GEO-VALVE/HT/CL-3/4
3/4" x 10mm thread length male inlet
3/4" x 10mm thread length male outlet
min-max wall mount 25mm
deck mount drill hole diameter 33mm
min-max bath thickness 6-25mm

finishes:

chrome

minimum operating pressure: 0.2 bar LP

guarantee:

12 year guarantee

VADO wedmore road cheddar somerset england bs27 3eb

tel 01934 744466 fax 01934 744345 sales@vado-uk.com www.vado-uk.com