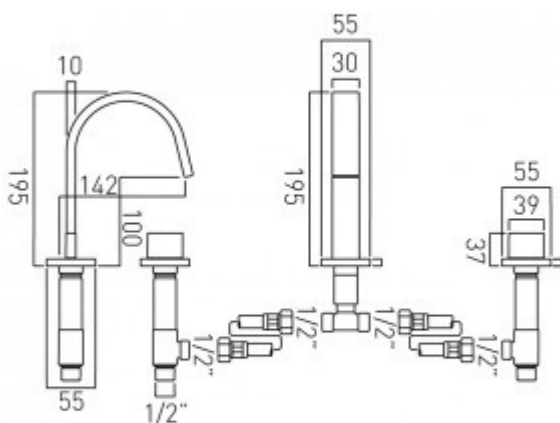




technical drawing



description:

3 hole basin mixer
spout can swivel or be fixed
deck mounted
without pop-up waste
with water flow straightener
1/2" ceramic disc 1/4 turn valves
ceramic cartridge GEO-VALVE/CD/CL-1/2 and
GEO-VALVE/CD/HT-1/2
2 x 1/2" x 1/2" x 500mm flexipipe connections
1/2" male x 1/2" male x 1/2" female T piece connection
spout deck mount drill hole diameter 28mm
valve deck mount drill hole diameter 33mm

finishes:

chrome

minimum operating pressure: 0.5 bar LP

ECO flow regulator: FR-FLEXI/5-PLA

guarantee:

12 year guarantee

VADO wedmore road cheddar somerset england bs27 3eb

tel 01934 744466 fax 01934 744345 sales@vado-uk.com www.vado-uk.com