

TS1850, DUELLE

DIAGRAM 1

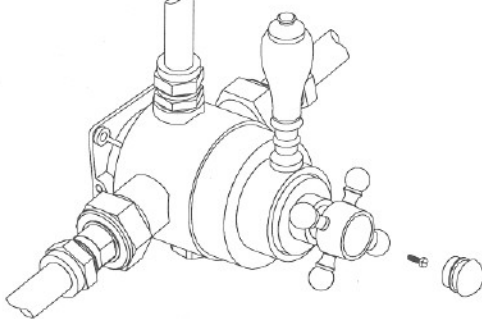


DIAGRAM 2

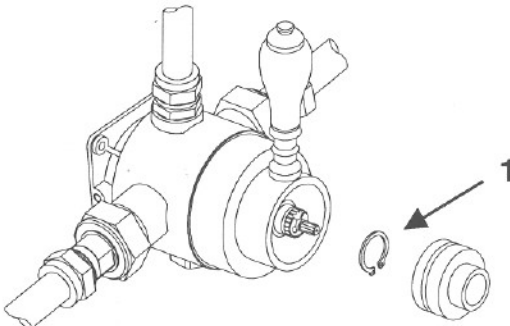


DIAGRAM 4

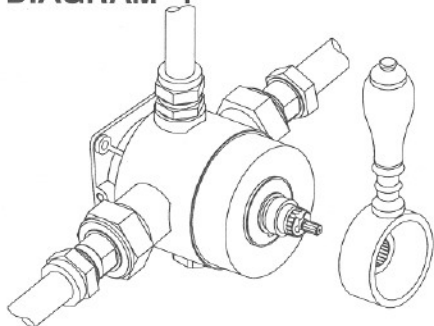
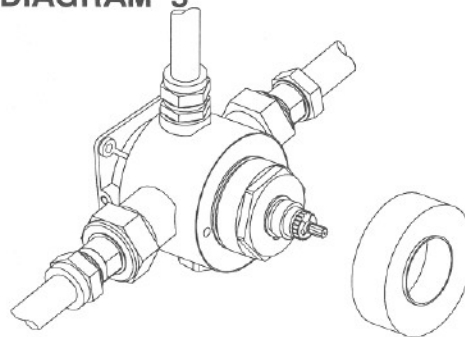


DIAGRAM 5



- REMOVAL OF CONTROL ASSEMBLY
- PRISE OUT INDICE AND REMOVE SPINDLE SCREW PULL OFF CONTROL KNOB.
- FOR CONCEALED UNITS REMOVE CONCEALING PLATE
- PULL OFF SPACER AND REMOVE CIRCLIP (1) USING CIRCLIP PLIERS
- PULL OFF THE LEVER ASSEMBLY/ FLOW CONTROL BODY.
- USING A 2.5MM ALLEN KEY UNSCREW THE GRUB SCREW AND REMOVE THE BODY SLEEVE.