

TS1850, STRATUS

DIAGRAM 1

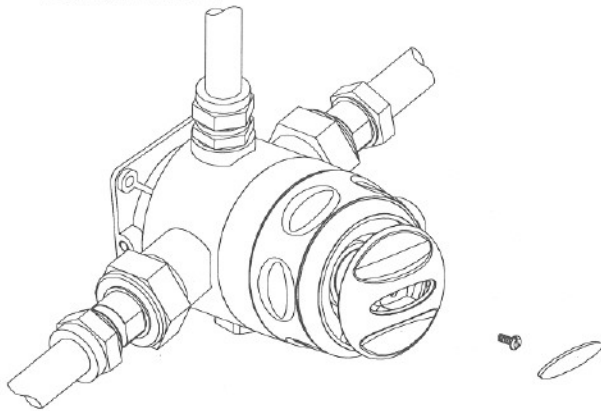
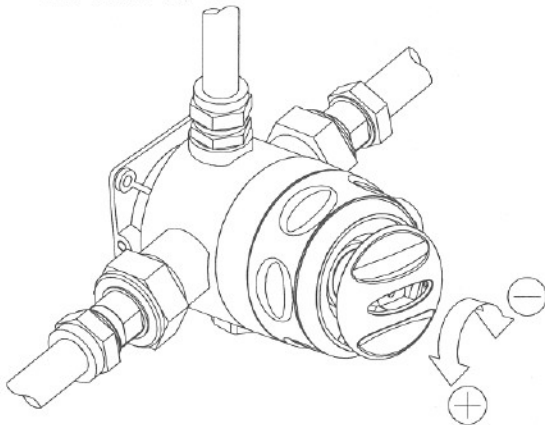


DIAGRAM 2



- TO ADJUST MAXIMUM SET TEMPERATURE
- USING A SUITABLE TOOL, REMOVE THE CENTRE INDICE TO REVEAL THE RETAINING SCREW AS PER DIAGRAM 1
- REMOVE THE RETAINING SCREW USING A SUITABLE SCREWDRIVER.
- TURN THE SHOWER FLOW CONTROL ANTICLOCKWISE TO MAXIMUM FLOW.
- TO *DECREASE* THE SHOWER TEMPERATURE, FIRST SET THE TEMPERATURE CONTROL AT THE DESIRED SETTING ON THE DIAL (EG.7). CAREFULLY REMOVE THE CONTROL KNOB APPROX 5MM OFF THE SPLINE AND REFIT WITH THE POINTER MARKS AT 9 AS PER DIAGRAM 2
- TO *INCREASE* SHOWER TEMPERATURE, FIRST TURN TEMPERATURE CONTROL TO 9, CAREFULLY REMOVE THE CONTROL KNOB APPROX 5MM OFF THE SPLINE AND REFIT WITH POINTERS SET 8 ON DIAL, TURN THE CONTROL TO 9, THIS WILL GIVE A 2°C INCREASE. REPEAT IF NECESSARY. AS PER DIAGRAM 2
- ONCE THE DESIRED TEMPERATURE IS ACHIEVED REPLACE THE RETAINING SCREW. TURN THE SHOWER OFF AND REPLACE CENTRE INDICE