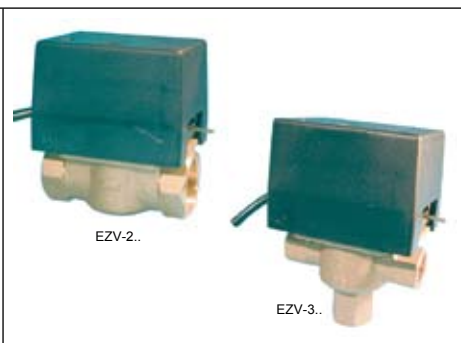


MOTORISED SPRING RETURN VALVES 2 & 3 PORT

EZV..

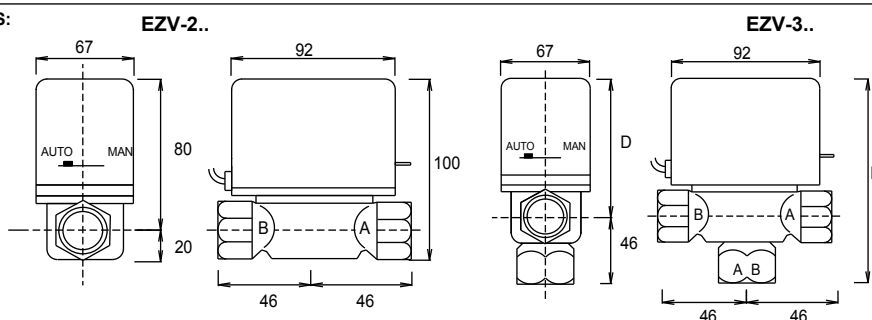
2 & 3 port spring return valves for zoning & diverting in closed circuit hot water, chilled water & up to 30% glycol systems. Supplied complete with motors.



ORDER AUXILIARY SWITCH SEPARATELY
 Media temp. 4°C to 110°C
 Max. pressure 10 Bar
 Consumption 5W
 Max ambient 60°C
 Materials: brass body, rubber ball/plug for 100% shut off.
 Wiring cable 0.5m
 Auto/Manual lever
 Replaceable motor

| Type | Connection | Max Diff Press Bar | Kvs m³/h | Supply ±10% | Motor Open | Spring Close | Application | Enclosure |
|----------------|----------------------------|--------------------|----------|-------------------|---|--------------|-------------|-----------|
| EZV-211 | ½" BSP | 0.90 | 6.0 | 230VAC | 10s | 4s | Zone | IP20 |
| EZV-212 | 15mm comp. | 0.90 | 6.0 | 230VAC | 10s | 4s | Zone | IP20 |
| EZV-213 | ¾" BSP | 0.90 | 7.0 | 230VAC | 10s | 4s | Zone | IP20 |
| EZV-214 | 22mm comp. | 0.90 | 7.0 | 230VAC | 10s | 4s | Zone | IP20 |
| EZV-215 | 1" BSP | 0.90 | 9.0 | 230VAC | 10s | 4s | Zone | IP20 |
| EZV-216 | 28mm comp. | 0.90 | 9.0 | 230VAC | 10s | 4s | Zone | IP20 |
| EZV-311 | ½" BSP | 1.54 | 6.6 | 230VAC | 20s | 6s | Diverting | IP20 |
| EZV-312 | 15mm comp. | 1.54 | 6.6 | 230VAC | 20s | 6s | Diverting | IP20 |
| EZV-313 | ¾" BSP | 1.54 | 7.8 | 230VAC | 20s | 6s | Diverting | IP20 |
| EZV-314 | 22mm comp. | 1.54 | 7.8 | 230VAC | 20s | 6s | Diverting | IP20 |
| EZV-315 | 1" BSP | 0.62 | 12.6 | 230VAC | 20s | 6s | Diverting | IP20 |
| EZV-316 | 28mm comp. | 0.62 | 12.6 | 230VAC | 20s | 6s | Diverting | IP20 |
| EZV-M1 | Auxiliary switch for EZV.. | | | 230VAC 3(1)A SPST | The volt free contact closes when the valve is fully open | | | |

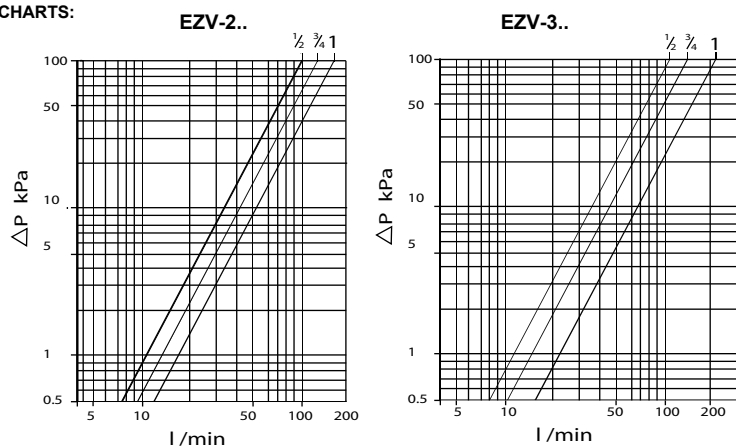
DIMENSIONS:



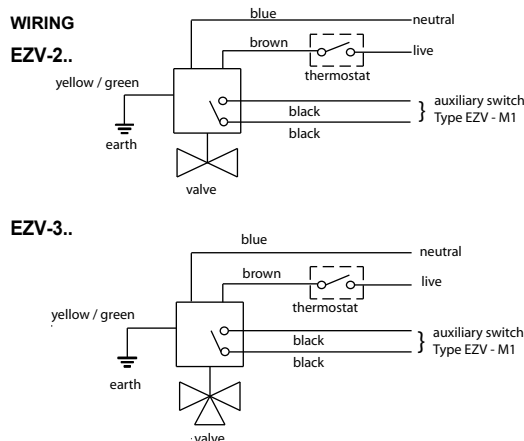
Install the valve with the motor at any angle vertical to 30° above the horizontal plane.

| Type | D | E |
|---------------------|----|-----|
| EZV-311,312,313,314 | 79 | 125 |
| EZV-315,316 | 84 | 130 |

FLOW CHARTS:



WIRING



EXAMPLES:

