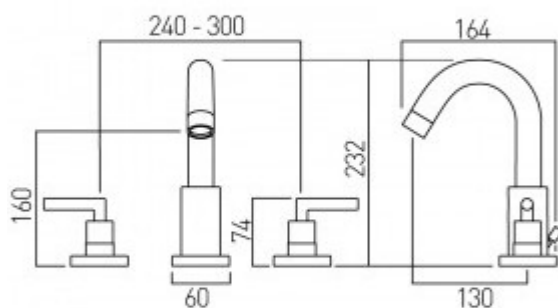




technical drawing



description:

3 hole basin mixer  
deck mounted  
spout can swivel or be fixed  
with pop-up waste  
with water flow straightener  
with water flow aerator  
ceramic cartridge ELE-VALVE/CD-1/2 (HT & CL)  
2 x 1/2" nut x 350mm flexipipe connections  
valve deck mount drill hole diameter 27mm  
spout deck mount drill hole diameter 30mm

finishes:

chrome

minimum operating pressure: 0.2 bar LP

**Eco** flow regulator: FR-100/5-PLA

guarantee:

12 year guarantee

VADO wedmore road cheddar somerset england bs27 3eb

tel 01934 744466 fax 01934 744345 sales@vado-uk.com www.vado-uk.com