

## Concept Freedom Wall Hung Elongated WC Pan



### Illustrated

- E8197** Concept Freedom wall hung elongated rimless WC pan
- S3636** Conceala 2 cistern delay fill 4.5/3 litre dual flush valve bottom supply and internal overflow, alternative height plastic flushbends, no flushplate
- E8226** Concept Freedom seat no cover for elongated pan
- S9139** Support bracket for wall mounted WC raised height with bolts
- S6637** Multi-System back support, white, complete with cushion

### Configuration options

- E8225** Concept Freedom seat and cover for elongated pan
- S4399** Contemporary flush plate dual flush, unbranded for Conceala 2 cisterns

### Material

Vitreous China

### Standards

Vitreous china to BS3402, BS EN 997 and BS EN 33

### Weights

- E8197 33.00KG
- S3636 3.00KG
- E8226 1.40KG
- S9139 4.28KG
- S6637 3.63KG

### Special Notes

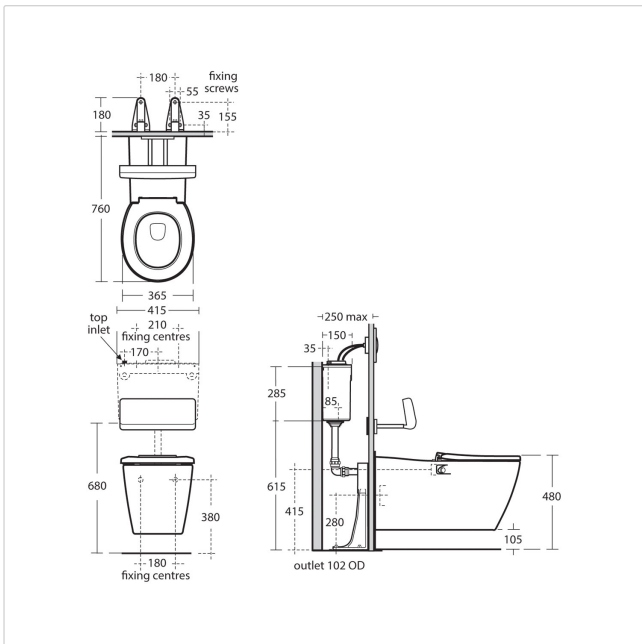
S9139 support brackets secured to floor within the duct, WC fixed to support brackets with bolts supplied. Joint sealed with waterproof sealant (not supplied).

### Colours

White (01)

### Designer

Robin Levien, RDI



### Frequently used applications

- |             |                 |
|-------------|-----------------|
| Hospitals   | Hotels          |
| Office      | Public Building |
| Residential |                 |



Tel: 0870 122 8822  
 Fax: 0870 122 8282  
 Email: [info@idealspec.co.uk](mailto:info@idealspec.co.uk)  
 Web: [www.idealspec.co.uk](http://www.idealspec.co.uk)

