



Concept Freedom 60cm Accessible Washbasin

Illustrated

- E5499** Concept Freedom 60cm accessible washbasin, one taphole
- E0157** Wall fixing set
- B9915** Concept Blue washbasin mixer 1 hole with pop-up waste
- E0079** Trap 1¼" Contemporary metal bottle, 75mm seal

Configuration options

Material

Vitreous China

Weights

- E5499 14.00KG
- E0157 0.16KG
- B9915 1.89KG
- E0079 1.45KG

Standards

Vitreous china to BS 3402.
Washbasin to BS EN 14688 & BS EN 31. Conforms to Doc M and HTM 04

Special Notes

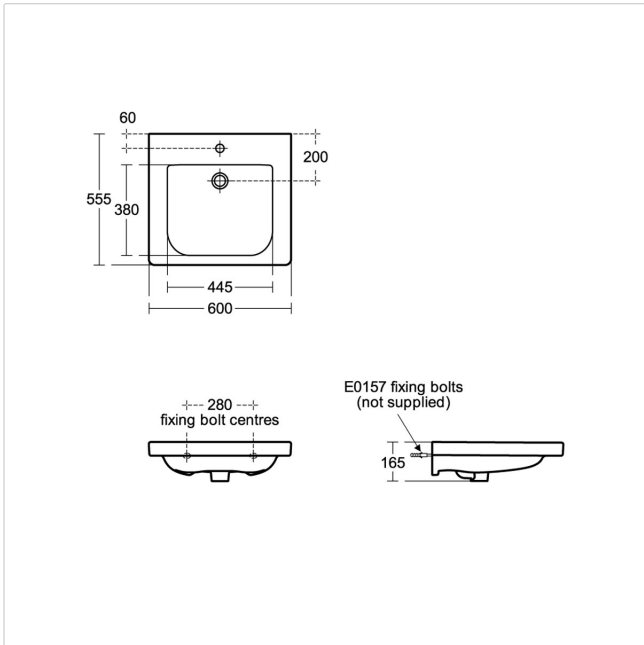
Suitable for use in public areas and Doc M. Satisfies DDA requirements. Washbasin wall mounted using E0157 rag bolts. Please refer to NBN 00-10 Part C sanitary ware assembly for installation heights in healthcare applications.

Designer

Robin Levien, RDI

Colours

White (01)



Frequently used applications

Hospitals
Office

Hotels
Public Building

Accreditations

Water Label



Tel: 0870 122 8822
Fax: 0870 122 8282
Email: info@idealspec.co.uk
Web: www.idealspec.co.uk

