

# Centrifugal Fans and Blowers

# Duplex Fans

## Twin Fans

A group of six duplex (twin scroll) direct drive centrifugal fans offering a range of performances & sizes for applications where air needs to be moved across a broad front. The three smaller models are designed for process & electronic cooling where high air velocity is required, whilst the larger "fan deck" units provide good volumes of air, quietly, for a variety of H & V. and cooling installations.

## General Installation Conditions

These fans are suitable for handling ambient air at temperatures up to 40°C. They are normally mounted from the outlet flanges on the 40BTX, 40B2TX & 45C2T units, and via the overall mounting plates on the 52D2TX, 71E2TIX & 83E2W models.

These fans must not be used for handling explosive, inflammable or corrosive gases, nor sighted in such environments.

## Typical Applications

Principally used for cooling electronic equipment, but other uses include air curtains, clean air assembly areas and fan coil units.

## Specifications:

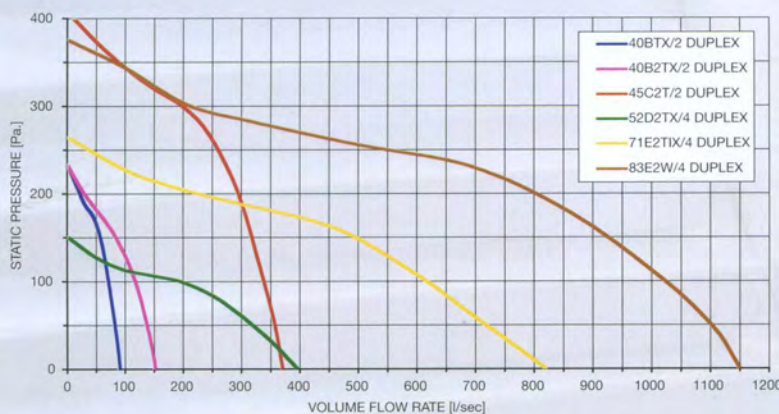
All units in the range feature an aluminium forward curved multivane impeller mounted on each of the motors' shafts, and housed within casings manufactured from mild steel sheet.

The fan cases are mounted from the motor body on the sizes 40BTX, 40B2TX & 45C2T and have individual outlet flanges.

The larger 52D2T, 71E2TIX & 83E2W utilise a fan deck onto which is mounted both the fan cases and the motor. The motor is supported on a resilient cradle to keep transmitted vibration to a minimum.

Electrical connection for the motors is by flying leads for the four smaller fans, and via pre-wired terminal blocks mounted on the fan decks for the 71 & 83 sizes.

## PERFORMANCE DATA



# AIRFLOW™

SPECIALISTS IN AIR MOVEMENT  
TECHNOLOGY SINCE 1955



### Speed Control

The duplex fans shown are not suitable for speed control by motor voltage regulation. Reduction in flow can be achieved by mechanical damping.

### Maintenance

Very little servicing is required. The motor bearings are "sealed for life" and no provision is made for re-lubrication. It is recommended that the impeller is carefully cleaned annually, or more frequently where dusty conditions prevail.

### Variants for OEM Applications

The fans as described here can be supplied in any quantity on a made to order basis (small quantities of the 40BT & 40B2T duplexes are normally available from stock, please check with Customer Services)

However, where Original Equipment Manufacturers require non-standard features for their application, modifications, and complete new versions based on different impeller diameters and widths, can be offered when production quantities exceed, typically, 100 off.

Examples of possible variations are:

- fitting motors suitable for non-standard supply voltages
- incorporating motors suitable for speed control, or multi-speed tap wound motors.
- variations to the dimensions and fixing arrangements on outlet flanges and mounting decks.
- variations in impeller diameters and/or widths to meet specific performance parameters.

### TECHNICAL DATA:

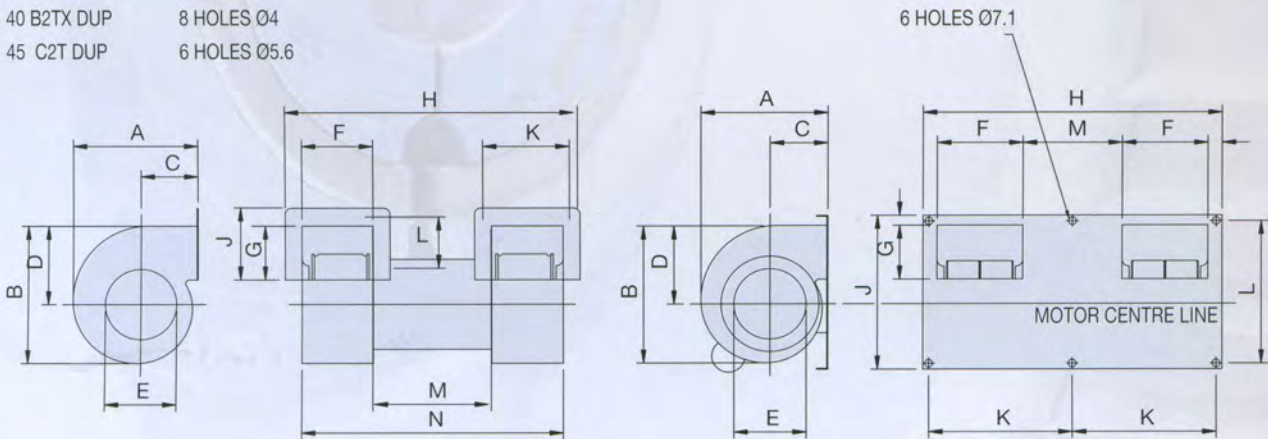
Fan Model	Supply voltage	Frequency	Capacitor value	Max running current	Start current (approx)	Max input watts	Max air flow	Min static pressure	Noise level	Speed at max air flow	Weight	Max ambient temp
	Volts	Hz	µF	Amperes	Amperes	Watts	Litres/s	Pascal	dBA*	Rev/m	kg	°C.
40BTX/2/DUP	230	50	N/a	0.71	0.97	100	90	0	50.5	2380	3.0	40●
40B2TX/2/DUP	230	50	N/a	1.12	1.6	154	151	0	55.5	2200	3.2	40●
45C2T/2/DUP	230	50	3.75	1.9	3.4	400	370	0	67.0	2370	5.9	40●
52D2TX/4/DUP	230	50	4	0.81	2.3	167	375	0	41.0	1400	9.0	40●
71E2TIX/4/DUP	230	50	15	2.4	10.2	565	830	0	60.0	1415	19.0	40●
83E2W/4/DUP	230	50	15	4.0	10.2	900	1160	0	62.0	1315	22.0	40●

\*at 1 metre

● thermal protection

### DIMENSIONAL DATA:

- 40 BTX DUP 4 HOLES Ø4
- 40 B2TX DUP 8 HOLES Ø4
- 45 C2T DUP 6 HOLES Ø5.6



Fan type	A	B	C	D	ØE INLET	F INSIDE	G INSIDE	H	J	K	L	M	N
40 BTX/2/DUP	129	157	57	90	83	57	64	246	78	70	57	104	221
40 B2TX/2/DUP	129	157	57	90	83	105	64	336	78	118	57	98	310
45 C2T/2/DUP	168	187	76	108	95	137	71	486	100	154	87	175	460
52D2TX/4/DUP	197	216	91	124	111	179	89	590	235	280	215	174	-
71E2TIX/4/DUP	280	305	130	175	159	206	125	760	333	365	303	212	-
83E2W/4/DUP	333	365	155	210	183	224	193	800	400	362	372	212	-

(i) Dimensions are for guidance only - certified drawings available.

# AIRFLOW™

Airflow Developments Limited, Lancaster Road, Cressex Business Park, High Wycombe, Buckinghamshire HP12 3QP.  
 Telephone: (Int +44) (UK 0) 1494 525252.  
 SALES LINE 0845 330 1047, Facsimile: (Int +44) (UK 0) 1494 461073 E-Mail: info@airflow.co.uk Web Site: www.airflow.com



AF DF 09/06

VISIT US AT [www.airflow.co.uk](http://www.airflow.co.uk)  
 SALES LINE 0845 3301047

© Airflow Developments Limited. Airflow Developments Limited reserve the right, in the interests of continuous development, to alter specifications without prior notice. All orders are accepted subject to our conditions of sale which are available on request.

For latest prices and delivery to your door visit MyTub Ltd - [www.mytub.co.uk](http://www.mytub.co.uk) - [info@mytub.co.uk](mailto:info@mytub.co.uk)

