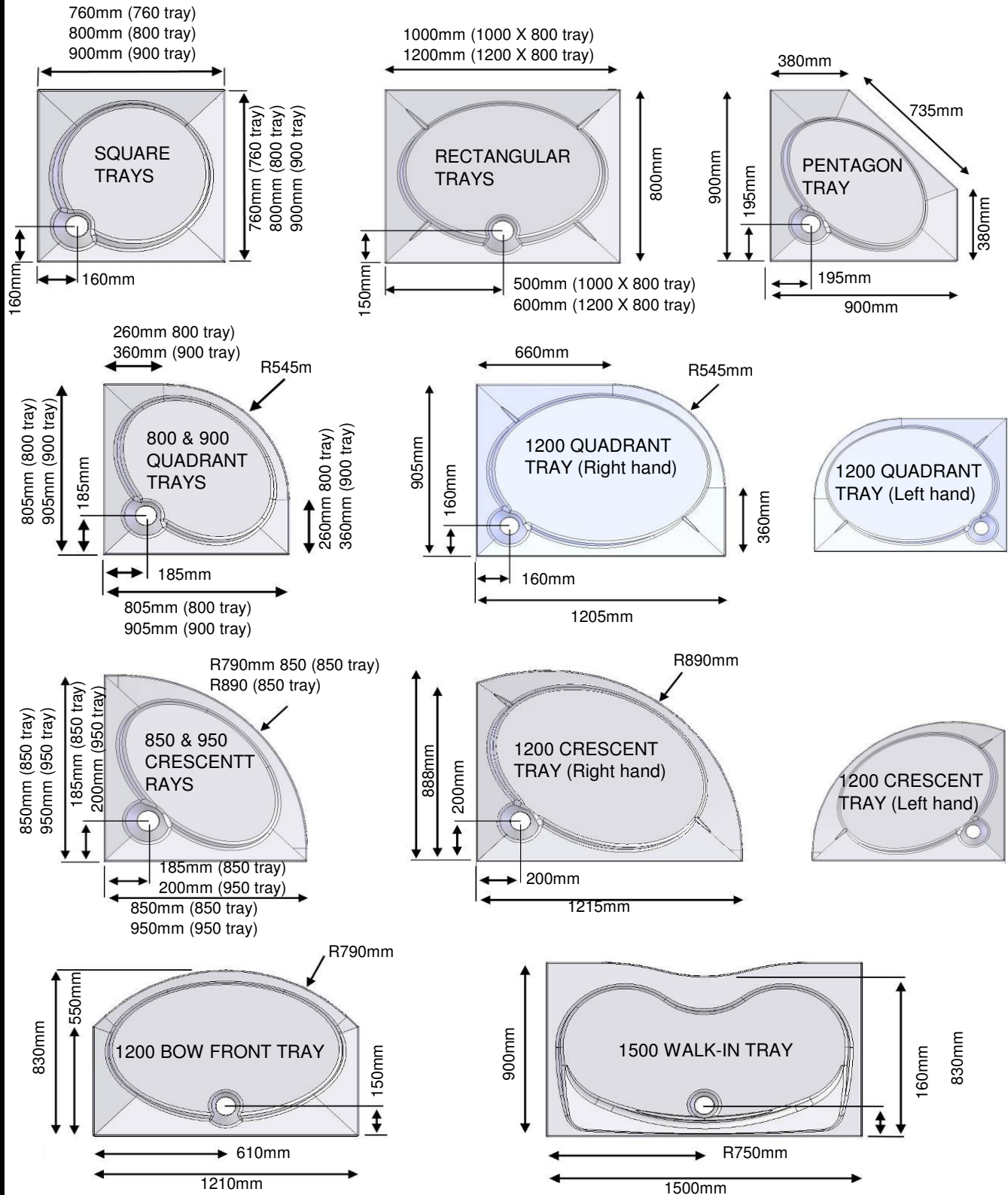
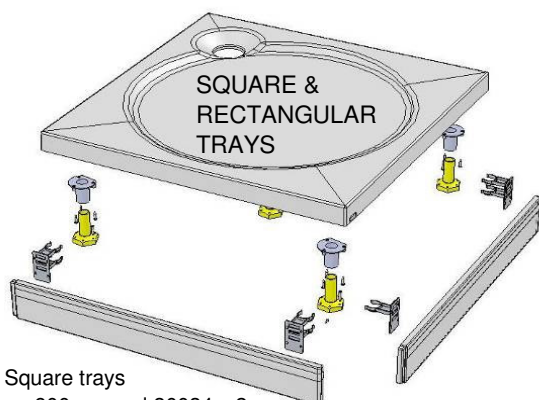


Height Tray only - 60mm
Tray with riser kit - 187mm
All slimline trays have a **90 mm** waste hole & require a 90mm diameter trap

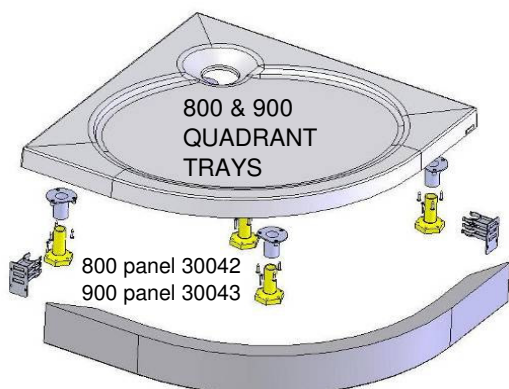
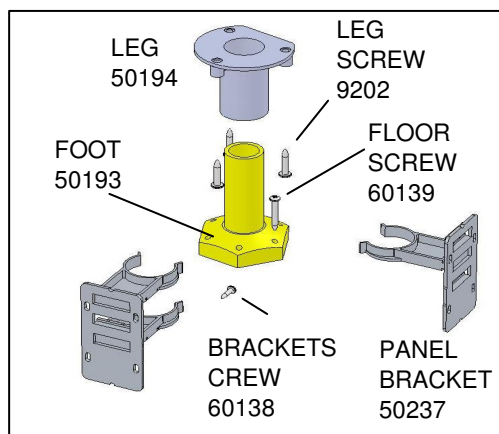


There is a manufacturing tolerance of ± 2 mm on all dimensions

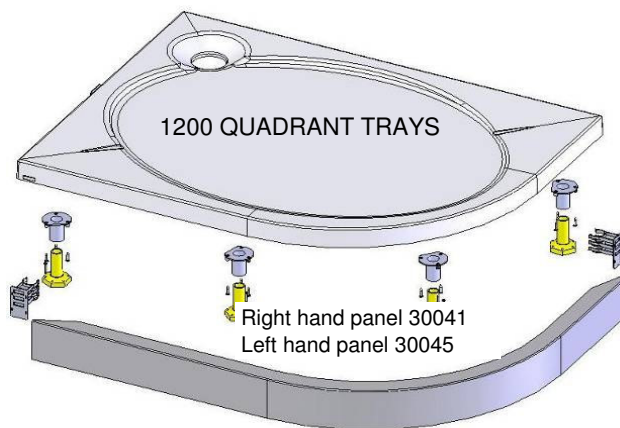
Square trays riser kit - RKSTS1
Rectangular trays riser kit - RKSTS2



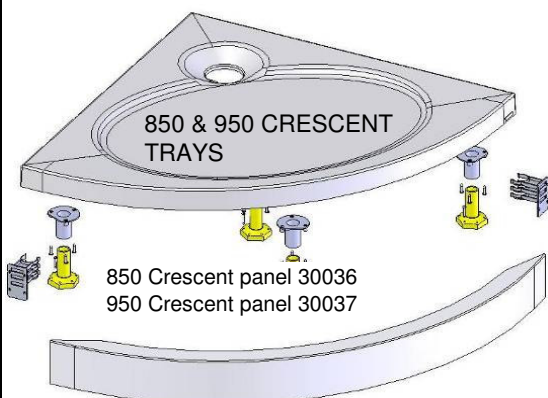
Square trays
900 - panel 30034 x 2
Rectangular trays
Panel 30035 (long panel) x 1 + 30033 (short panel) x 1



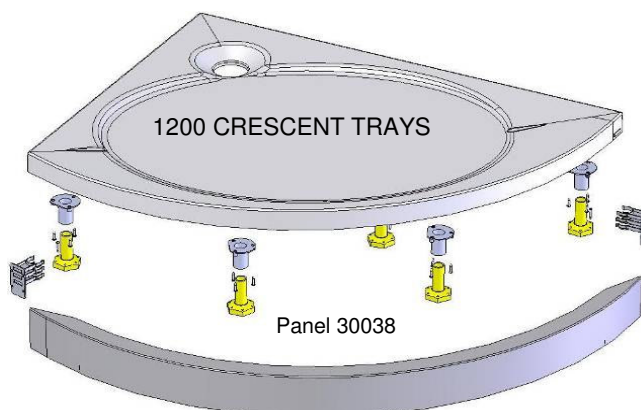
800 tray riser kit - RKSTQ80
900 tray riser kit - RKSTQ90



Riser kit (right hand) - RKSTQ12R
Riser kit (left hand) - RKSTQ12L



850 tray riser kit - RKASTC85
950 tray riser kit - RKASTC85

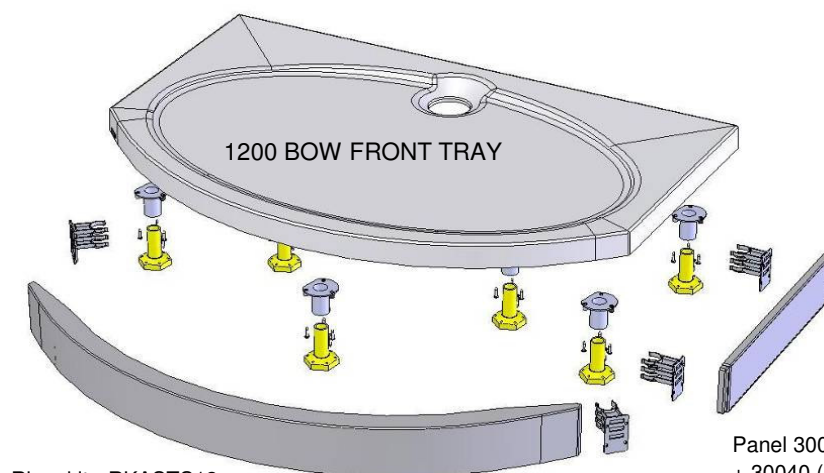
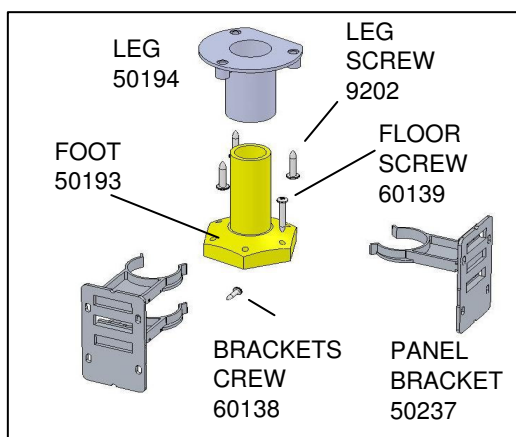
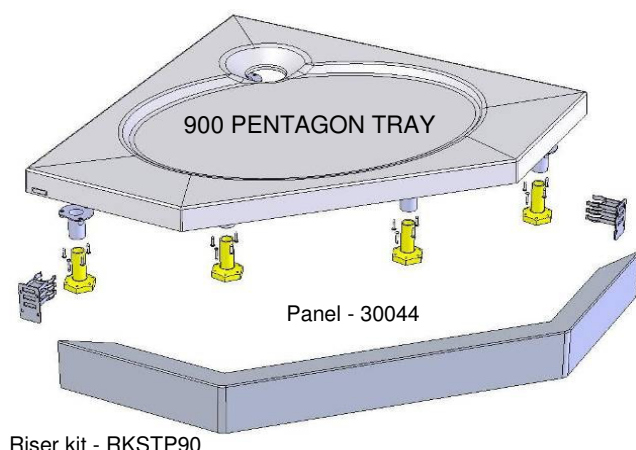


Riser kit - RKASTC12

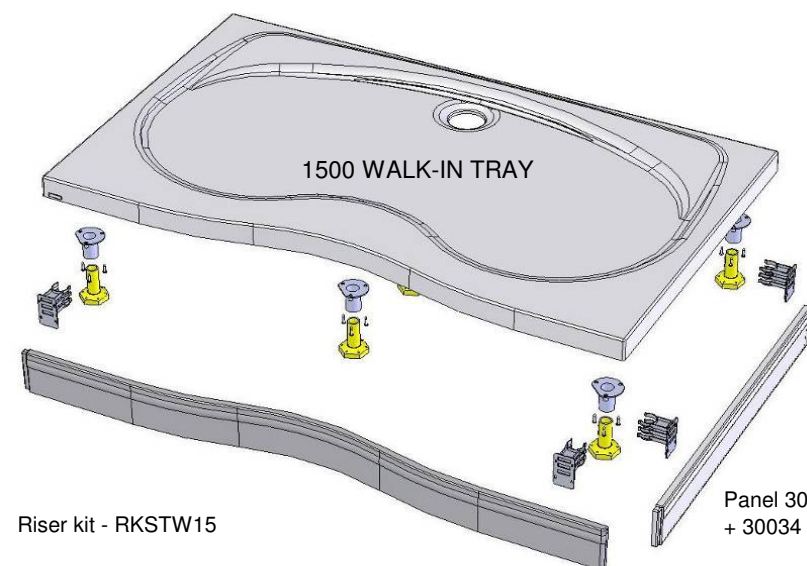
Slimline shower tray instruction leaflet 71037

Riser kit instruction leaflet 71330

© CORAM SHOWERS LTD 2010



Panel 30039 (front panel) x 1
+ 30040 (side panel) x 1

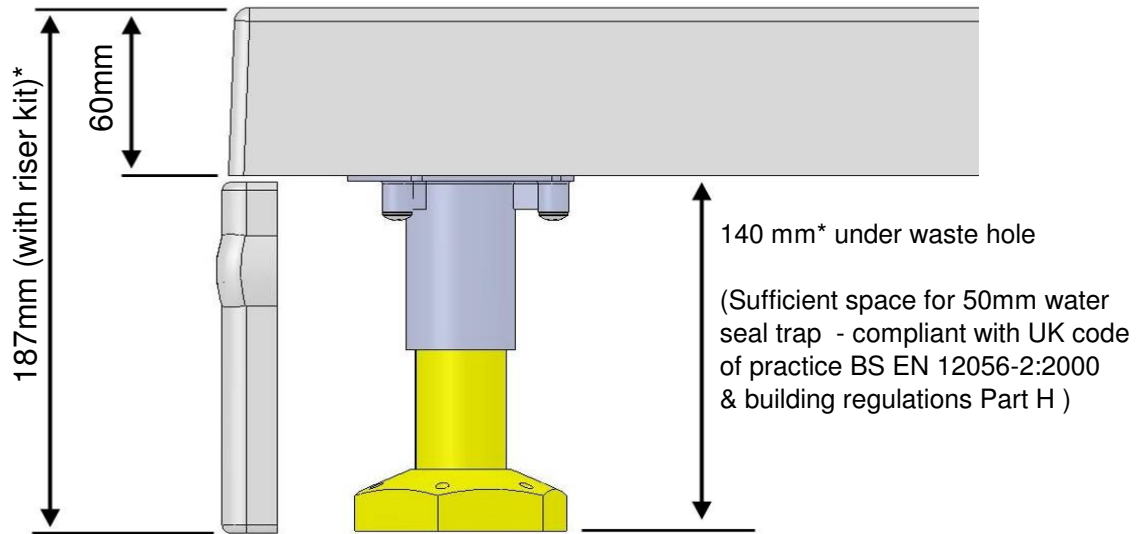


Panel 30046 (front panel) x 1
+ 30034 (side panel) x 1

Slimline shower tray instruction leaflet 71037

Riser kit instruction leaflet 71330

© CORAM SHOWERS LTD 2010



*With a riser kit, the height of the tray can be reduced by approximately 30mm by trimming the panels - dependant on there being sufficient height left under the tray for the trap to clear the floor

Waste hole diameter 90mm Slimline trays require a 90mm diameter trap (not supplied)

Recommended trap - McAlpine ST90 (available from Coram Showers)

Tray construction Acrylic-capped ABS skin - Coratech™ cellular resin reinforcement

Panel construction High impact polystyrene skin - chipboard reinforced

For the square and rectangular trays, standard length panels are supplied with the riser kits - in most cases they will require trimming to length during installation

IMPORTANT riser kits can only be fitted to Coram Slimline shower trays manufactured specifically for them (from approx March 2010 onwards). These trays can be distinguished on the underside by circular GREY PLASTIC PADS AT EACH CORNER and in the centre .

Earlier trays, with BLACK plastic pads on the underside (in the centre only) CAN NOT BE FITTED WITH THE RISER KIT

Coram shower trays are protected by UK patents 2318049 & 0327569.0

Tray conforms to BS6340 part 5 & BS EN 251:2003