

CRANE

FLUID SYSTEMS

NEW

NEW GENERATION DZR BALL VALVES

WATER THREADED D171A | WATER COMPRESSION D171AC | GAS THREADED D191

DEZINCIFICATION RESISTANT
WRAS APPROVED
MAIN JOINT O-RING SEAL (THREADED)
INSTALLATION TAGS
MULTIPLE OPERATING OPTIONS

WATER
HEATING
VENTILATION
AIR CON
GAS



OUR GENIUS IS VALVES

WRAS
APPROVED
PRODUCT

CRANE

BUILDING SERVICES & UTILITIES

For latest prices and delivery to your door visit MyTub Ltd - 0845 303 8383 - www.mytub.co.uk - info@mytub.co.uk



DZR BALL VALVES

NEW GENERATION BENEFITS

CRANE FLUID SYSTEMS IS AN INTERNATIONALLY RESPECTED MARKET LEADER IN VALVE TECHNOLOGY AND HAS BEEN MANUFACTURING VALVES FOR NEARLY A CENTURY. THE COMPANY IS NOW INTRODUCING THE NEXT GENERATION OF DZR BALL VALVES FOR WATER, HEATING, VENTILATION, AIR CONDITIONING AND GAS APPLICATIONS.

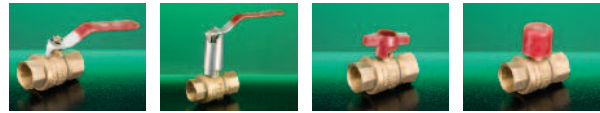
Designed to be light, compact and easy to operate, Crane's new generation D171A DZR ball valve range is WRAS approved and suitable for use with potable water supplies. The new D191 valve is tested by GL Industrial Services and complies with the essential requirements of BS EN 331: 1998, for gas applications.



Crane's new design of DZR ball valve includes a number of improvements; improved leak resistance and reduced risk of damage from over tightening.

Made of dezincification resistant brass, Crane valves are available in a range of sizes 1/4 to 2in threaded fittings and in metric 15 to 54mm compression diameters. Customers can also choose from a variety of operating handle options which include lever, extended stem, lockshield and 'T' handle versions depending on project application.

THE CUTAWAY SHOWN IS THE THREADED VERSION (D171A)



04. Multiple operating handle options
(Pictured from left), quarter turn lever, extended stem lever, "T" handle & lockshield.

03. Crane pipe threads meet full gauge length.

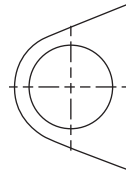


02. Ball is DZR brass chrome plated, designed for a long life.
Temperature range is -10 to 120°C.
Ball is full bore.

01. Primary metal to metal seal.

Improved installation instructions

To aid installation there are new installation tags which are water and tear resistant. They show the correct way of installing threaded or compression valves.

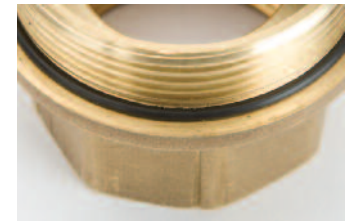


ASSEMBLE PIPE INTO VALVE TO HAND TIGHT THEN TIGHTEN BY NUMBER OF TURNS SHOWN BELOW (UP TO 1 ADDITIONAL TURN IS PERMITTED FOR ALIGNMENT)			
VALVE SIZE	TURNS	VALVE SIZE	TURNS
1/4	1.5	1	1.5
3/8	1.5	1 1/4	1.5
1/2	1.5	1 1/2	1.5
3/4	1.5	2	2

Threaded tag used as example.

05. Quarter turn operation provides positive isolation in conjunction with PTFE, WRAS approved seats and stem seals.

06. Loctite 648 is used on the main joint threads to give more strength and resistance to installation damage.



07. Secondary O ring seal, for additional leakage protection, aids resistance to site installation damage.

08. Available in different taper thread options - BS EN 10226-2 or ANSI B1.20.1.

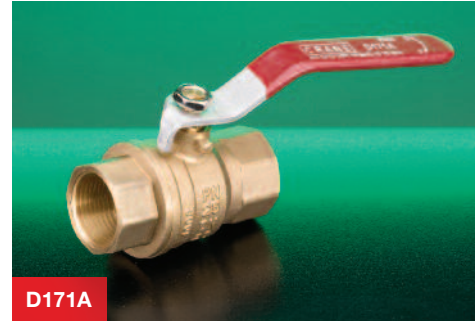
WRAS
APPROVED
PRODUCT

D171A D171AEXS Extended Stem



Materials

PART	MATERIAL	QUANTITY
Hex-Nut	Steel Plated	1
Lever	Steel Dacromet Plated	1
Sleeve	Maroon PVC	1
Packing Nut	Brass CW617N	1
Packing Gland	PTFE WRAS Approved	1
Body	DZR Brass CW602N	1
Seats	PTFE WRAS Approved	2
Ball	DZR Brass CW602N Chrome Plated	1
O-Ring	Rubber EPDM WRAS Approved	1
Bonnet	DZR Brass CW602N	1
Stem	DZR Brass CW602N	1
Extension Stem Outer	Aluminium	1
Extension Stem Inner	Steel Plated	1



D171A

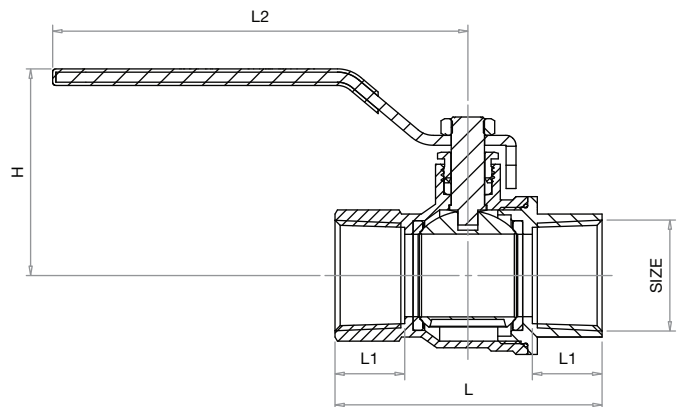


D171AEXS

Dimensions and Weights

SIZE	WEIGHT (g) A	WEIGHT (g) AEXS	L (mm)	L1 (mm)	L2 (mm) A	H (mm) A	H (mm) AEXS
1/4"	152	-	45.3	12	89	41	-
3/8"	136	-	45.3	12	89	41	-
1/2"	205	270	58.5	15.5	98.5	48	103
3/4"	302	366	67	17	98.5	51	107
1"	511	589	80.5	21	125	62	116
1 1/4"	890	1009	94	23	140	77.5	129
1 1/2"	1292	1410	102	23	140	83.5	135
2"	2238	2283	124	26.5	165	97.5	150

Dimensional Drawing



Pressure/Temperature Ratings Threaded

TEMPERATURE °C	-10 to 100	120
PRESSURE (bar)	25	21.8

Intermediate pressure ratings shall be determined by interpolation

All dimensions are nominal.

PRESSURE RATING: PN25

UK END CONNECTION: BS EN 10226-2: 2005
formerly BS21 Taper

US END CONNECTION: ANSI B1.20.1:1983

OPERATOR: Lever

SPECIFICATION: Quarter Turn, PTFE seats and stem seal, WRAS listed.

D171ATH T-Handle D171ALS Lockshield



Materials

PART	MATERIAL	QUANTITY
Hex-Nut	Steel Plated	1
T-Handle	Aluminium AL-46100 Maroon	1
Packing Nut	Brass CW617N	1
Packing Gland	PTFE WRAS Approved	1
Body	DZR Brass CW602N	1
Seats	PTFE WRAS Approved	2
Ball	DZR Brass CW602N Chrome Plated	1
O-Ring	Rubber EPDM WRAS Approved	1
Bonnet	DZR Brass CW602N	1
Stem	DZR Brass CW602N	1
Lockshield	Brass CW617N	1
Lockshield Cover	Polypropelene Maroon	1



D171ATH

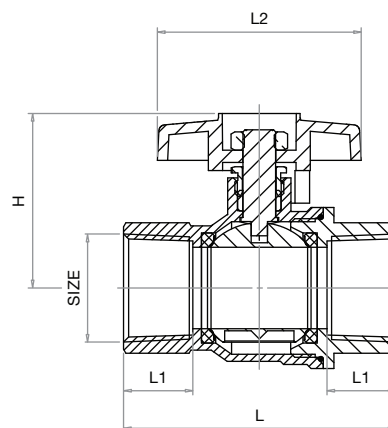


D171ALS

Dimensions and Weights

SIZE	WEIGHT (g)		L (mm)	L1 (mm)	L2 (mm)	H (mm)	
	ATH	ALS				ATH	ALS
1/2"	183	207	59	15.5	50	40	42
3/4"	277	302	67	17	50	43	45
1"	470	506	80.5	21	55	54	58
1 1/4"	809	867	94	23	82	61	67
1 1/2"	1210	1269	102	23	82	67	73.5
2"	2106	2166	124	26.5	110	80.5	86.5

Dimensional Drawing



All dimensions are nominal.

Pressure/Temperature Threaded

TEMPERATURE °C	-10 to 100	120
PRESSURE (bar)	25	21.8

Intermediate pressure ratings shall be determined by interpolation

PRESSURE RATING: PN25

UK END CONNECTION: BS EN 10226-2: 2005
formerly BS21 Taper

US END CONNECTION: ANSI B1.20.1:1983

OPERATOR: T-Handle / Spanner / Socket

SPECIFICATION: Quarter Turn, PTFE seats and stem seal, WRAS listed.



D171AC D171ACEXS Extended Stem



Materials

PART	MATERIAL	QUANTITY
Hex-Nut	Steel Plated	1
Lever	Steel Dacromet Plated	1
Handle Sleeve	Maroon PVC	1
Packing Nut	Brass CW617N	1
Packing Gland	PTFE WRAS Approved	1
Body	DZR Brass CW602N	1
Seats	PTFE WRAS Approved	2
Ball	DZR Brass CW602N Chrome Plated	1
Bonnet	DZR Brass CW602N	1
Compression Olive	Brass CW507L	2
Compression Nut	DZR Brass CW602N	2
Stem	DZR Brass CW602N	1
Extension Stem Outer	Aluminium	1
Extension Stem Inner	Steel Plated	1



D171AC

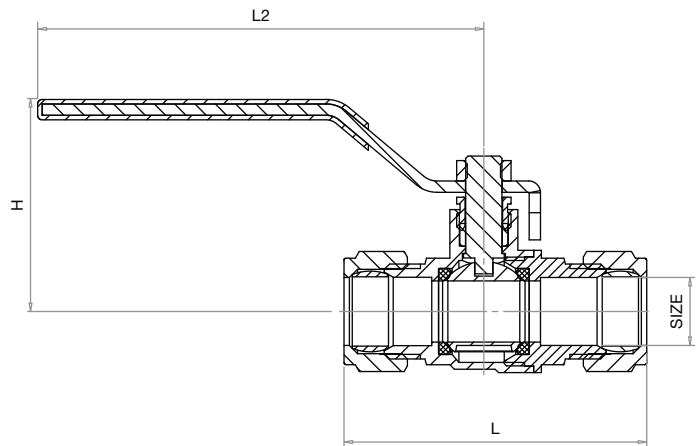


D171ACEXS

Dimensions and Weights

SIZE	WEIGHT (g) AC	WEIGHT (g) ACEXS	L (mm) AC	L2 (mm) AC	H (mm) AC	H (mm) ACEXS
15mm	212	275	66.5	98.5	47	103
22mm	368	429	80	98.5	51	107
28mm	608	682	92.5	125	62	116
35mm	1007	1125	104.5	140	77.5	129
42mm	1549	1667	122	140	83	135
54mm	2538	2683	141	165	97.5	150

Dimensional Drawing



All dimensions are nominal.

Pressure/Temperature Ratings Compression

TEMPERATURE °C	-10 to 30	40	50	65	80	90	100	110	120
PRESSURE (bar)	16	14.3	12.6	10	8.7	7.8	6.9	6	5

Intermediate pressure ratings shall be determined by interpolation

PRESSURE RATING: PN16

UK END CONNECTION: Compression Ends to BS EN 1254-2: 1998

OPERATOR: Lever

SPECIFICATION: Quarter Turn, PTFE seats and stem seal, WRAS listed.



D171ACTH T-Handle D171ACLS Lockshield



Materials

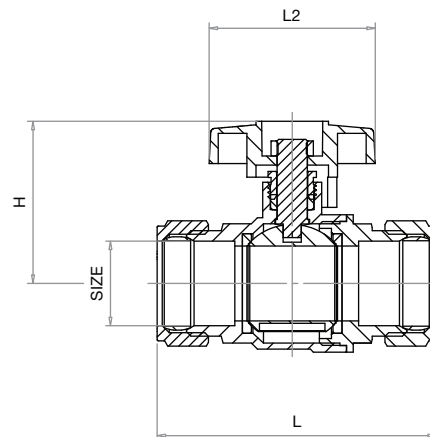
PART	MATERIAL	QUANTITY
Hex-Nut	Steel Plated	1
T-Handle	Aluminium AL-46100 Maroon	1
Packing Nut	Brass CW617N	1
Packing Gland	PTFE WRAS Approved	1
Body	DZR Brass CW602N	1
Seats	PTFE WRAS Approved	2
Ball	DZR Brass CW602N Chrome Plated	1
Bonnet	DZR Brass CW602N	1
Compression Olive	Brass CW507L	2
Compression Nut	DZR Brass CW602N	2
Stem	DZR Brass CW602N	1
Lockshield	Brass CW617N	1
Lockshield Cover	Polypropelene Maroon	1



Dimensions and Weights

SIZE	WEIGHT	WEIGHT	L (mm)	L2 (mm)	H (mm)	H (mm)
	(g) ACTH	(g) ACLS				
15mm	187	220	66.5	50	40	42
22mm	343	376	80	50	43	47
28mm	567	614	92.5	55	54	59.5
35mm	977	1039	104.5	82	61	67
42mm	1487	1549	122	82	67	73.5
54mm	2634	2437	141	110	80.5	87.5

Dimensional Drawing



All dimensions are nominal.

Pressure/Temperature Ratings Compression

TEMPERATURE °C	-10 to 30	40	50	65	80	90	100	110	120
PRESSURE (bar)	16	14.3	12.6	10	8.7	7.8	6.9	6	5

Intermediate pressure ratings shall be determined by interpolation

PRESSURE RATING: PN16

UK END CONNECTION: Compression Ends to BS EN 1254-2: 1998

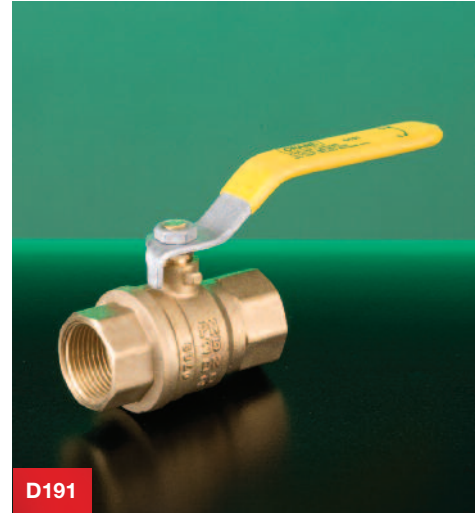
OPERATOR: T-Handle / Spanner / Socket

SPECIFICATION: Quarter Turn, PTFE seats and stem seal, WRAS listed.

D191 Gas Valve

Materials

PART	MATERIAL	QUANTITY
Hex-Nut	Dacromet Plated Steel	1
Handle Sleeve	PVC Yellow	1
Handle	Dacromet Plated Steel	1
Packing Nut	Brass CW617N	1
Packing Gland	PTFE	1
Body	DZR Brass CW602N	1
Ball	DZR Brass CW602N	1
Seats	PTFE	2
O-Ring	NBR with BS EN549 approval	1
Bonnet	DZR Brass CW602N	1
Stem	DZR Brass CW602N	1

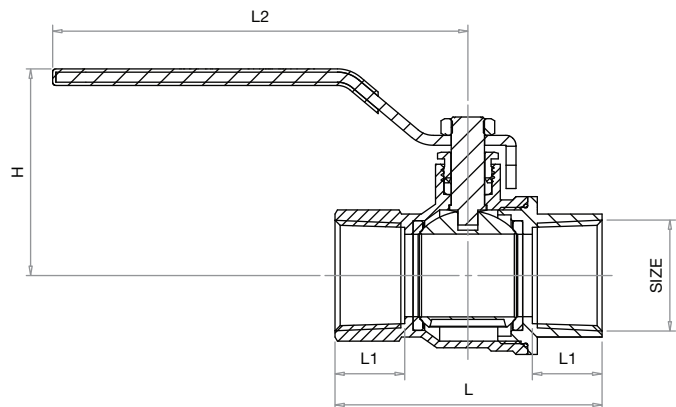


D191

Dimensions and Weights

SIZE	WEIGHT (g)	L (mm)	L1 (mm)	L2 (mm)	H (mm)
1/4"	152	46	12	89	41
3/8"	136	46	12	89	41
1/2"	205	59	15.5	98.5	48
3/4"	302	67	17	98.5	51
1"	511	80.5	21	125	63
1 1/4"	890	94	23	140	78
1 1/2"	1292	102	23	140	83.5
2"	2238	124	26.5	165	97.5

Dimensional Drawing



All dimensions are nominal.

Pressure/Temperature Ratings Threaded

NON GAS APPLICATION

TEMPERATURE °C	-10 to 100	110
PRESSURE (bar)	25	23.5

GAS APPLICATION

TEMPERATURE °C	-20 to 60
PRESSURE (bar)	5

Intermediate pressure ratings shall be determined by interpolation

PRESSURE RATING: PN25

UK END CONNECTION: BS EN 10226-2: 2005
formerly BS21 Taper

US END CONNECTION: ANSI B1.20.1:1983

OPERATOR: Lever

SPECIFICATION: Quarter Turn, PTFE seats and stem seal.
Tested by GL Industrial Services and complies with the essential requirements of BS EN 331: 1998



www.cranefs.com



FLUID SYSTEMS

CRANE HOUSE, EPSILON TERRACE
WEST ROAD, IPSWICH
SUFFOLK IP3 9FJ

TELEPHONE: +44 (0)1473 277300
FAX: +44 (0)1473 277301
EMAIL: enquiries@cranefs.com

www.cranefs.com



FM311
ISO 9001



- The D171A and D171AC ranges are WRAS approved for use on potable water
- The D191 range has been tested by GL Industrial Services and complies with the essential requirements of BS EN 331: 1998
- Designed and manufactured under quality management systems in accordance with BS EN ISO 9001: 2008

The Company reserve the right to amend any product without notice.

CFS_DZR_04_2010



BUILDING SERVICES & UTILITIES

www.cranesbu.com

For latest prices and delivery to your door visit MyTub Ltd - 0845 303 8383 - www.mytub.co.uk - info@mytub.co.uk

