

D46 PN40

Bronze Globe Valve

Crane bronze globe valves are highly efficient for throttling because seat and disc designs provide flow characteristics with proportionate relationships between valve lift and flow rate.

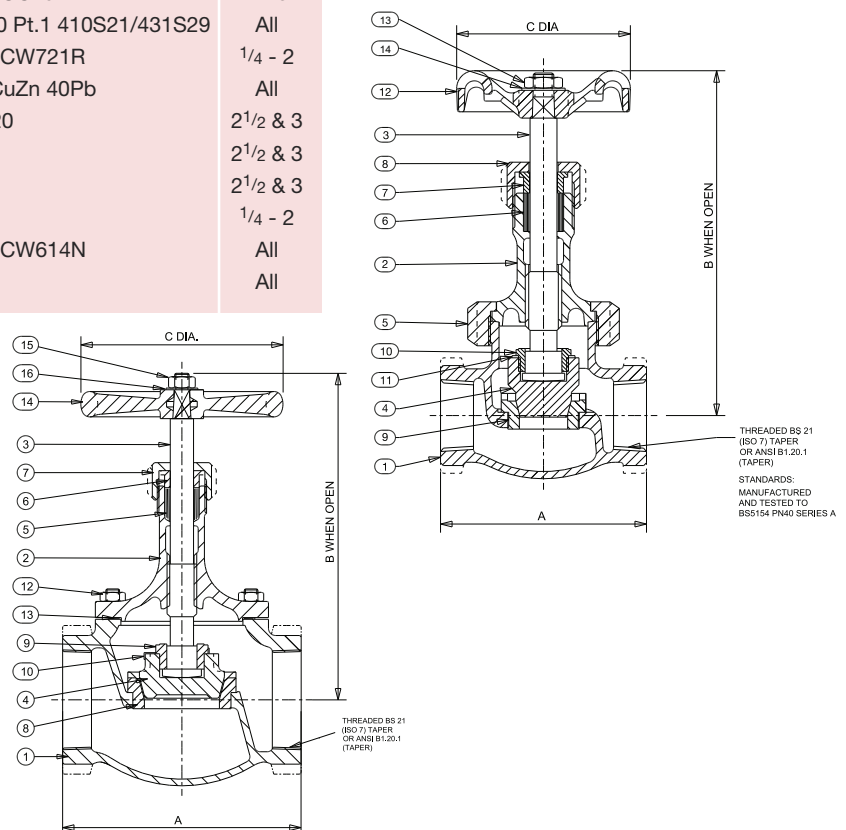
Materials

NO.	PART	MATERIAL	SIZE
1	Body	Bronze BS EN 1982 CC491K	All
2	Bonnet	Bronze BS EN 1982 CC491K	All
3	Stem	Brass BS EN 12163 CW721R	1/4 - 2
4	Disc	Duplex Stainless Steel S32205	All
5	Union Ring	Bronze BS EN 1982 CC491K	1/4 - 2
6	Packing	Asbestos Free	All
7	Gland	Brass BS EN 12164 CW614N	All
8	Packing Nut	Brass BS EN 12164 CW614N	1/4 - 2
8	Packing Nut	Bronze BS EN 1982 CC491K	2 - 3
9	Body Seat Ring	13% Cr.Steel BS 970 Pt.1 410S21/431S29	All
10	Disc Stem Ring	Brass BS EN 12164 CW721R	1/4 - 2
11	Lockwasher	Brass BS EN 1652 CuZn 40Pb	All
12	Bonnet Stud	Steel BS 970 070M20	2 1/2 & 3
13	Bonnet Stud Nut	Steel BS 4190 Gr.4	2 1/2 & 3
14	Gasket	Asbestos Free	2 1/2 & 3
15	Handwheel	Aluminium	1/4 - 2
16	Handwheel Nut	Brass BS EN 12164 CW614N	All
17	ID Plate	Aluminium	All



D46

Dimensional Drawings



Dimensions & Weights

SIZE (inch)	WEIGHT (kg)	A (mm)	B (mm)	C (mm)
1/4	0.53	59	122	52
3/8	0.55	59	122	52
1/2	0.8	68	140	65
3/4	1.24	81	152	70
1	1.82	95	171	78
1 1/4	2.73	108	193	92
1 1/2	3.78	121	220	103
2	6.03	146	251	121

PRESSURE RATING: PN40

TEMPERATURE OPERATING RANGE: -10 to 260°C

UK END CONNECTION: BS 21 Taper

US END CONNECTION: ANSI B1.20.1

OPERATOR: Handwheel

AVAILABLE OPTIONS: P150 Locking Device

SPECIFICATION: Valves are manufactured in accordance with BS 5154 PN40 for series A ratings. Design incorporates Duplex Stainless Steel S32205 plug type disc retained on stem by a threaded ring.

The body seat is screwed-in stainless steel ring. Sizes 1/4" to 2" have a union bonnet and sizes 2 1/2" and 3" have a bolted bonnet.

This valve is not suitable for use on group 1 gases or unstable fluids, as defined by the Pressure Equipment Directive 97/23/EC.

Valves having ANSI threads also generally conform to MSS SP-80.

Every effort has been made to ensure that the information contained in this publication is accurate at the time of publishing. Crane Ltd assumes no responsibility or liability for typographical errors or omissions or for any misinterpretation of the information within the publication and reserves the right to change without notice.