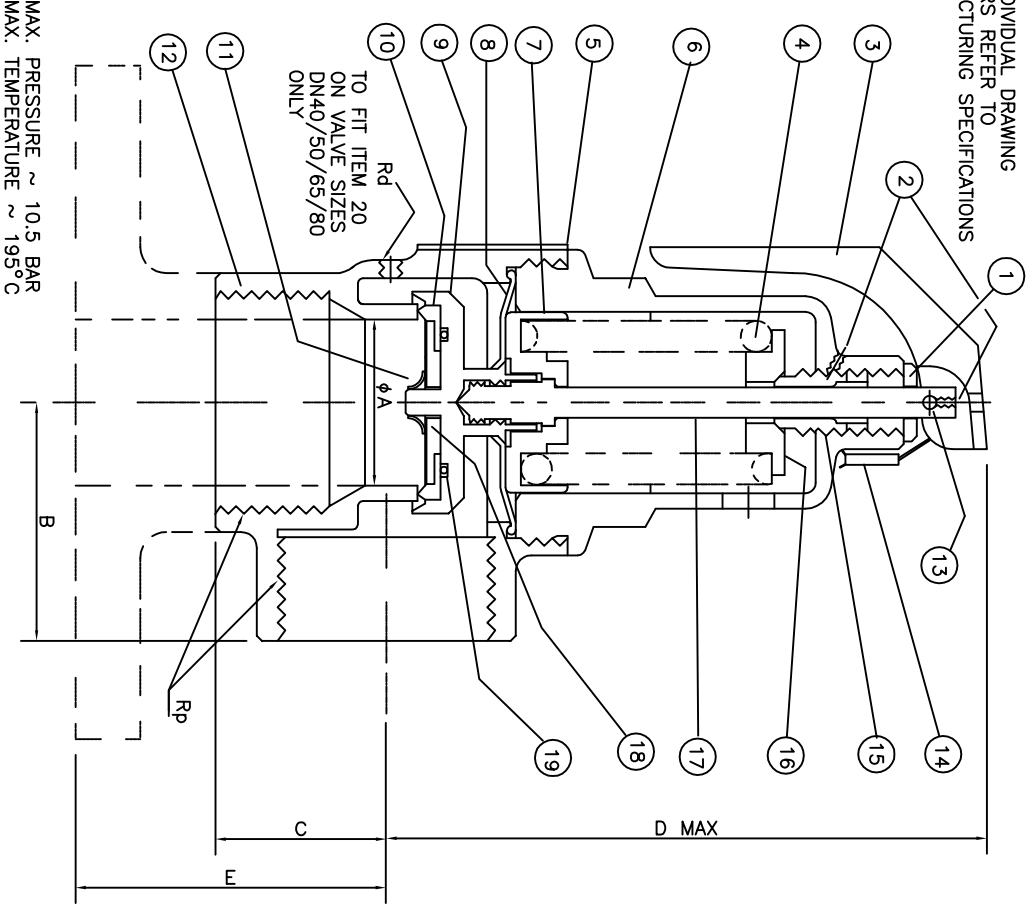


FOR INDIVIDUAL DRAWING
NUMBERS REFER TO
MANUFACTURING SPECIFICATIONS



REF NO	NAME OF PART	MATERIAL
1	THRUST WASHER	BS-EN 12164 :1998 CW609N
2	GRUBSCREW	STEEL
3	TEST LEVER	BS-EN1982:1999 TABLE 7 (CC754S)
4	SPRING	STEEL - BS2803/BS970
5	NAMEPLATE	ALUMINIUM
6	SPRING COVER	BS-EN 1982:1999 CB491K
7	PISTON	BS-EN 12164 :1998 CW609N
8	DIAPHRAGM	SILICONE RUBBER
9	SEAT SEAL HOLDER	BS-EN 1982:1999 CB/CC491K/ BS EN 12164:1998 CW602N
10	SEAT SEAL	VIRGIN P.T.F.E.
11	STARLOCK WASHER	STAINLESS STEEL
12	BODY	BS-EN 1982:1999 CC491K(3.1.b. CERTIFIED)
13	LEVER PIN	STEEL
14	LEAD SEAL	LEAD
15	ADJUSTING SCREW	BS-EN 12164 :1998 CW609N
16	SPRING PLATE	BS-EN 12164 :1998 CW609N
17	SPINDLE	BS-EN 12164 :1998 CW721R
18	SEAT SEAL RETAINING PLT	BS-EN 1982:1999 CC491K/ BS EN 12164:1998 CW602N
19	O-RING	VITON
20	DRAIN PLUG (AS REQD)	BS-EN 12165 :1998 CW617N

VALVE SIZE	φ A	B	C	D	E	Rd	Rp
1/2	15	30	23	90	-	-	1/2
3/4	20	34	23	95	-	-	3/4
1	25	39	27	105	-	-	1
1 1/4	32	46	33	120	60	-	1 1/4
1 1/2	40	54	38	160	64	1/4	1 1/2
2	50	64	46	190	73	1/4	2
2 1/2	65	76	55	220	83	1/4	2 1/2
3	80	80	65	270	96	3/8	3

9	CH099/08, ITEM 19 AMENDED TO VITON	PNG	9.10.08
8	ITEM 19 AMENDED TO EPDM/VITON, ITEM 20 WAS BS EN 12164 :1998 CW609N,CH097/08	PNG	1.10.08
7	CH088/08, ITEM 19 WAS VITON	PNG	16.9.08
6	BS EN 12164:1998 CW602N ADDED TO ITEMS 9 & 18 AS AN ALTERNATIVE MAT'L	J.C	14.08.06
5	ADDED MATERIAL CERTIFICATION	A.B	6.03.02
1-4	SEE REV SHEET CD132/V52	A.B	1.3.95
ISSUE	MODIFICATION	BY	DATE

DPP PART No. N/A
DIMENSIONS IN MM
TOLERANCES UNLESS OTHERWISE STATED
TO TWO PLACES ± 0.15
ANGULAR ± 30°
MACHINE WHERE MARKED
SURFACE VALUES IN MICROMETERS
REMOVE BURS AND SHARP EDGES
LEAD THRO TO BASE OF THREAD
DO NOT SCALE
FINISH DRAWN
CHECKED J.F
ISSUE DATE 14.08.06

FIG No. 542/542F
GENERAL ARRANGEMENT OF FIG 542
PRESSURE RELIEF VALVE
VARIOUS

PRODUCT RANGE NABIC DELTA FLUID PRODUCTS LIMITED
THIS DRAWING IS THE COPYRIGHT OF DELTA FLUID PRODUCTS LTD. AND IS CONFIDENTIAL. IT MUST NOT BE LOANED, COPIED OR COMMUNICATED TO A THIRD PARTY WITHOUT PRIOR WRITTEN CONSENT.
DELTA ROAD, PARK ST, HELENS, MERSEYSIDE WA9 2ED
Tel: 01744 611811 Fax: 01744 453675

6	5	4	3	2	1
ISSUE	MODIFICATION	BY	DATE	DRAWING NUMBER	ISSUE
				2 4 0	9