

**7**

Trim the seals (PN40042) to the length of the glass. Cut 40mm off the seal flap at the top and bottom and push-fit onto the back edge of each door with the flap as shown.

Push-fit the magnetic seals (PN80421) onto the front edge of each door. Ensure the magnetic polarity is correct, re-fit if needed.

**8**

Adjust door screws at the top so the doors are square, slide freely and the magnetic seals meet when closed. (Fig A) Loosen screw (1 turn maximum). (Fig B) Turn until the door hangs vertically. Re-tighten screw (do not over-tighten). (Fig C) Push fit covers top and bottom.

**9**

Push fit the wall channel covers. Lubricate top and bottom door runners with silicone wipe provided.

**From the outside only**, apply sealant to the bottom of the enclosure and 50mm up the wall channels as shown. The unit must not be sealed internally as this will prevent water from draining back into the shower tray and will result in leaks. **DO NOT** use the shower for 24 hours after installation to allow the sealant to set.

**Cleaning and Maintenance**

After each use the glass should be wiped down with a window squeegee and the framework wiped dry. This will reduce the build up of limescale and water marks on the glass and framework. **DO NOT** use bleach, scouring powders, solvents or other aggressive cleaning agents which may damage the framework.

To ensure the doors continue to run smoothly the top and bottom runners should be lubricated regularly. This should be done using a silicone wipe. These can be purchased from Customer Care if required.

In some instances mould spores may build up under the glazing seal of the unit. The mould spores are most commonly black or red in colour. It is possible for qualified persons to remove the glazing seal to clean and replace. Please contact Customer Care for advise. Mould build up is not covered by the guarantee .

Toughened safety glass is twice as strong as untoughened glass. However it is possible for it to shatter. Care should be taken when opening and closing the door panels so not to stress the glass. Stressed glass may shatter at any time and not necessarily at the time of stress.

**RECYCLING**

Packaging: The cardboard and polythene parts of this packaging can be recycled  
 End of life: This product contains materials such as aluminium and glass which can be recycled  
 Please contact your local authority to find your nearest recycling centre

**CORAM SHOWERS**

# PREMIER CORNER ENTRY SHOWER ENCLOSURE

**To The Installer: Please read these instructions carefully and leave with the home owner for future reference. Incorrect fitting will invalidate the guarantee.**

**SAFETY**

- Handle glass with great care. Although the glass is very tough, sharp impacts can damage both the glass and metal frame.
- Make sure there are no hidden pipes or cables hidden in the wall where you intend to drill.
- Wear safety goggles, shoes and appropriate clothing.

**BEFORE INSTALLATION**

- Check that the shower tray is level in all directions. The enclosure will not sit correctly on an uneven surface. If uneven, the wall channels may not fit and the doors may not shut correctly.
- The enclosure should be fitted on tiled walls which are sealed with waterproof grout.
- The shower tray and the enclosure must match in size. Attempting to fit the incorrect size of enclosure to the shower tray will result in water leaks.

**Equipment needed:**

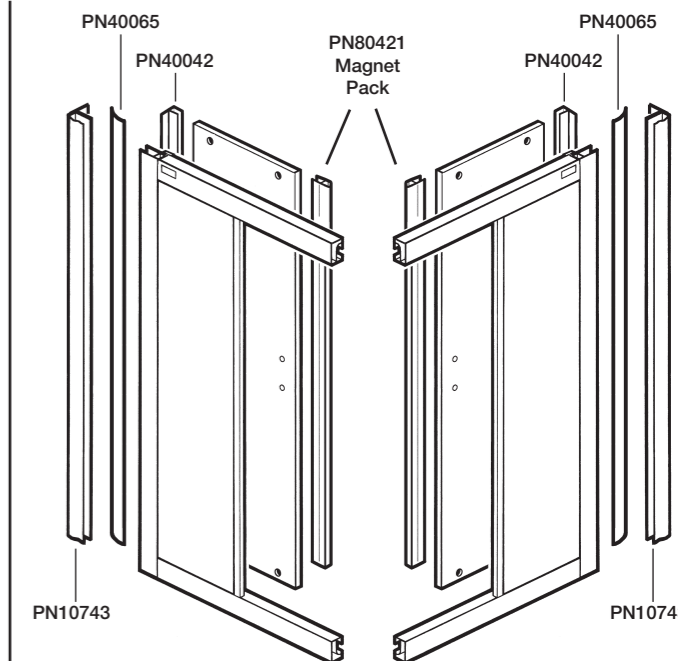
Drill, 6.5mm Masonry bit, 4.5mm & 3mm Metal bits (general), Crosshead Screwdriver, Flatblade Screwdriver, Right Angle, Fine Tooth Saw, Spirit Level, Pencil, Silicone Sealant, Tape Measure, Masking Tape.

**Note:**

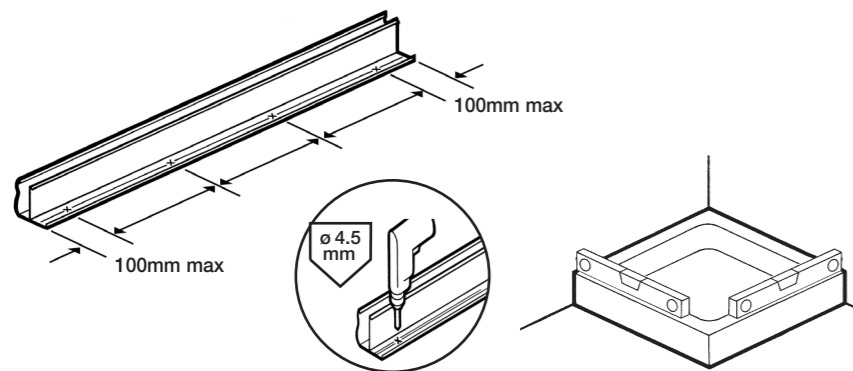
The screws and wall plugs supplied are for masonry walls. For lightweight walls i.e. stud partition, plasterboard etc, use the correct type of fixings.

Check contents of pack before installation. If there is anything missing, contact our Customer Careline for assistance, rather than your supplier.

CUSTOMER CARELINE: 01746 713410					
	PN3230 Wall Plug	8		PN50137 Corner Bracket	2
	PN3225 Screw 32mm	6		PN50138 Corner Cap	2
	PN3222 Screw 10mm	6		PN60058 Silicone Wipe	1
	PN50269 Wheel	4		PN60162 Allen Key	1
	PN50103 Door Runner Cap	8		PN 6022002 Handle	2

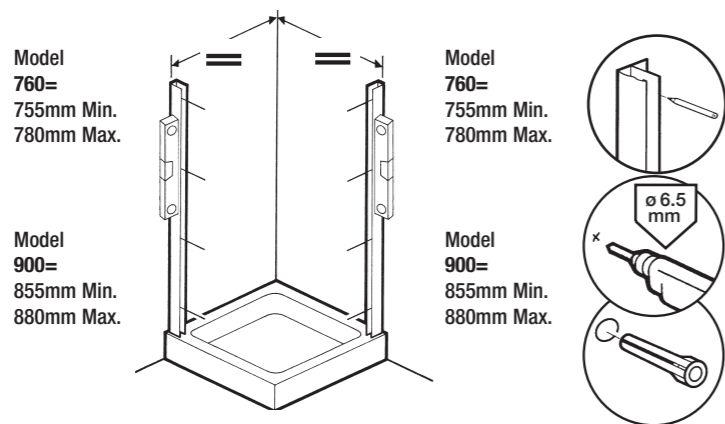


**CUSTOMER CARELINE 01746 713410**

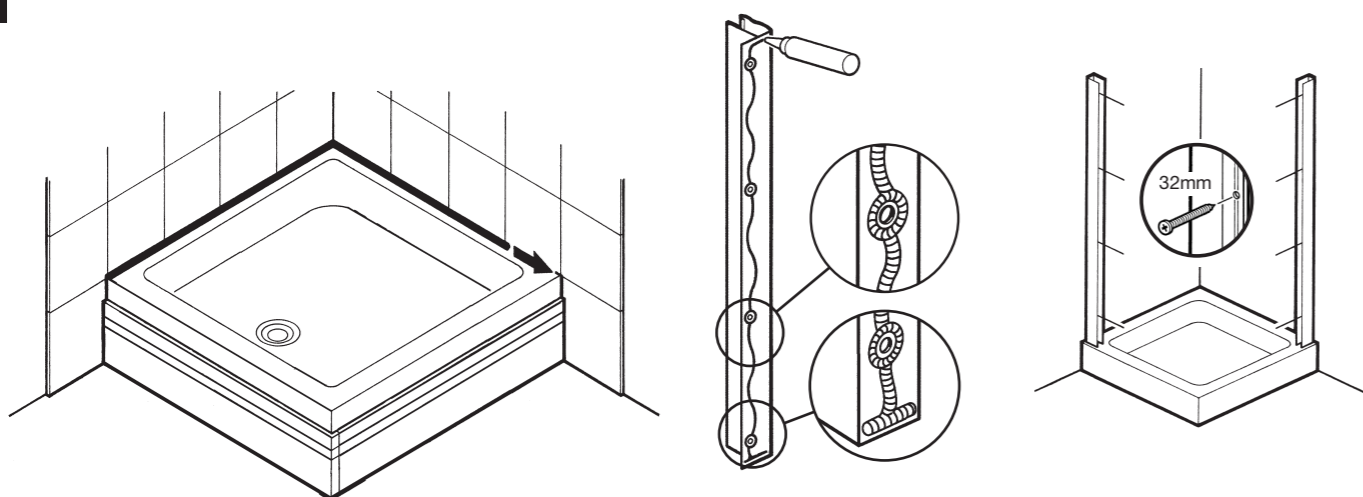
**1**

Drill holes in both wall channels at points shown using a 4.5mm drill bit, through the edge shown and between the grooves. Ensure shower tray is level in all directions.

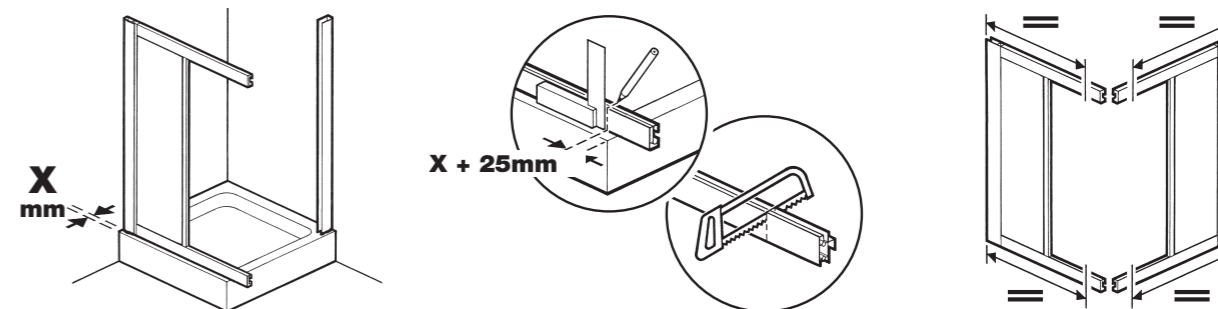
An out of level shower tray will prevent the doors from closing correctly

**2**

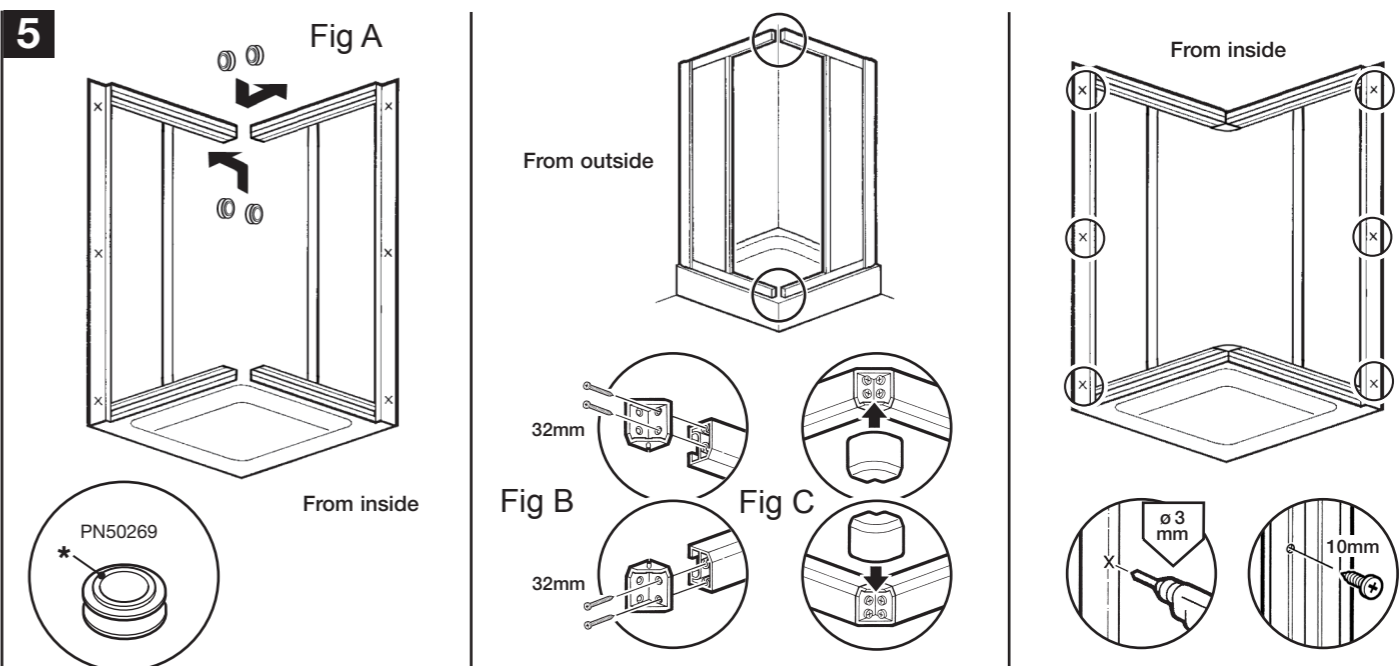
Place wall channels on tray as shown (to fit within the dimensions above), ensuring they are vertical. Both wall channels should be set an equal distance back from the front of the tray. Failure to do this will put a twist into the enclosure and prevent the doors from closing correctly. Place masking tape against the wall before marking the drill hole positions. This will prevent the drill bit slipping. Drill 6.5mm holes - 30mm deep, insert wall plugs.

**3**

Clean shower tray of dust and debris after drilling and seal the gap between the tray surface and tiles. It is important that the tray is sealed right to the tray edge so that sealant is behind the bottom of the wall channel. Failure to do this will cause water to leak under the wall channel and between the tray and tiles, resulting in damp patches on the wall and under the tray. Apply sealant to the back of wall channels. Fix to wall using 32mm screws.

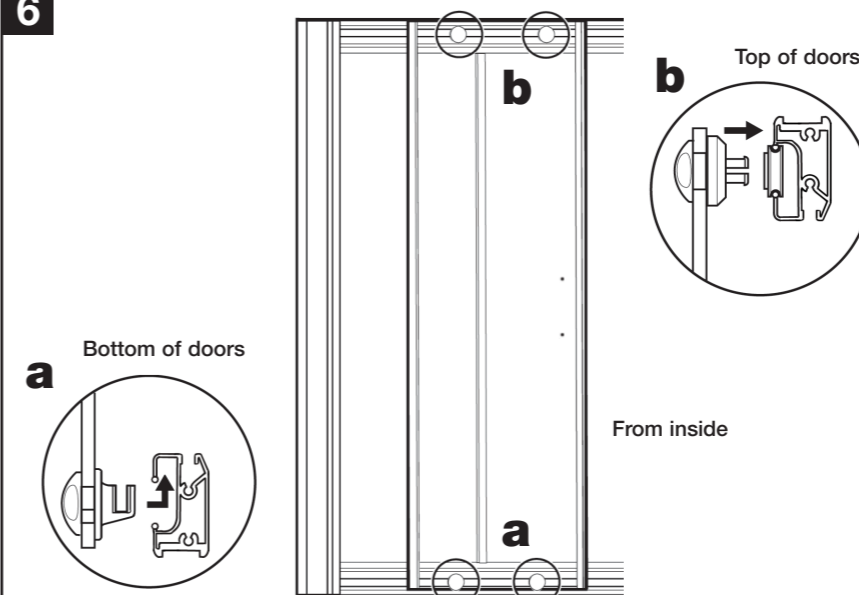
**4**

Insert a side panel into wall channel. If required mark and cut bottom rail as shown. Measure the cut rail and cut the remaining top and bottom rails to the same length.

**5**

Slide two 'Door Rollers' into each of both top rails, they **MUST** insert with the raised lip (\*) facing outwards from the rail, the lip (\*) must be visible (Fig A).

Fix top and bottom corner mouldings using 32mm screws (Fig B). Push fit corner moulding cover caps (Fig C). Ensure enclosure sides are vertical. Drill inside wall channels using 3mm drill bit where shown. Do not drill too deep. Fix using 10mm screws.

**6**

**IMPORTANT:** It is advised that this stage is carried out by two people to avoid damaging the runners, rails or doors.

**a:** From inside the enclosure, carefully hook the 'sliders' fitted to the bottom of the door onto the bottom rail.

**b:** Push fit the 'runners' fitted to the top of the door, onto the 'door rollers' pre-fitted in the top rail. Repeat with the second door.

**NOTE** The position of the handle holes for each door should be furthest from the walls.