



concealed cisterns - single flush, push button

concealed plastic cistern for front or back wall fixing
option of delayed action inlet valve



to specify/order

Please use the eight character reference shown below.

concealed cisterns

Concealed air push button cistern, complete with fittings, and flushbend (excludes push button):

SSIO 6 litre **CX9660XX**

*SSIO 4 litre with DAIV (delayed action inlet valve) **CX9640XX**

air button single flush

CP small button **CF9001CP**

SS small button **CF9001SS**

Extended SS small button **CF9091SS**

Flushsense infra red sensor **CF9300CP**

240v transformer for Flushsense **CF9302XX**

applications

For use with WC's (except close coupled)

material

Plastics

fixings

Screw to wall (screws not supplied).

note

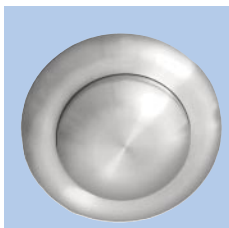
Standard small buttons to suit panel thickness 3-40mm

Extended button to suit panel thickness 60-290mm

The 4 litre product is convertible to 6 litres (post installation), if variations in drainage systems necessitate increasing the flush volume to ensure efficient drain line carry.



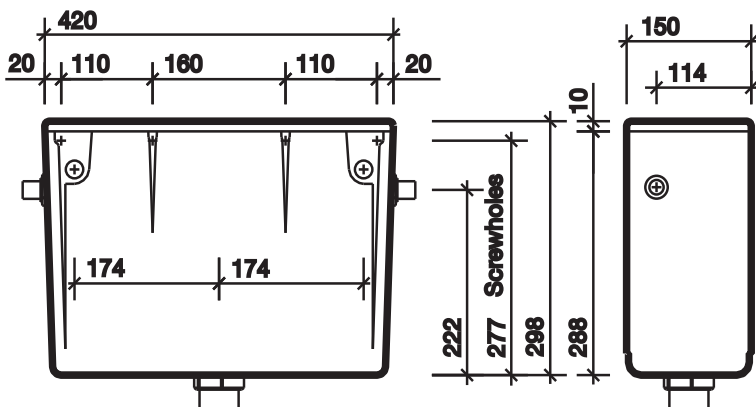
CF9001CP



CF9001SS & CF9091SS



CF9300CP



All measurements shown are in millimetres. Drawing sizes are not to scale.