

Installation Guide

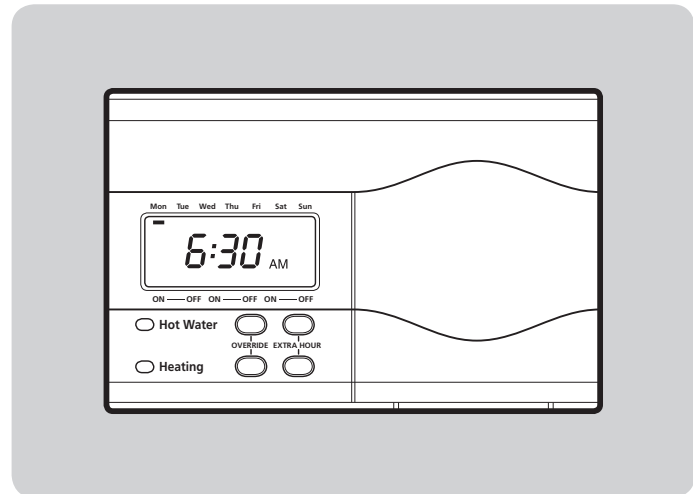
for EHE0200160 Programmer

Introduction

EHE0200160 is an Electronic Full Programmer providing accurate time control for central heating installations with separate programmes for heating and hot water. It can be used to program a heating schedule for weekdays (Monday – Friday) and weekends (Saturday and Sunday) independently.

Specification

Power Supply : 230V~, 50...60Hz, 8VA
 Switch Action : 2 x SPDT
 Switch Rating : 230V~, 50...60Hz, 3(3)A
 Timing Accuracy : ±1min./month
 Power Reserve : typically 4 days
 Approvals : CE marked

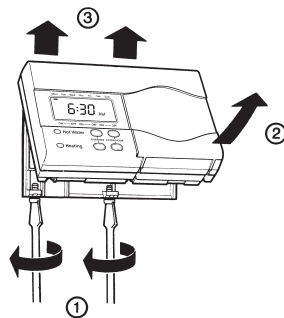


42009085-013 R1

Mounting

The Programmer should be mounted at a level where the display can be seen clearly and the ambient temperature is within the range of 0 to 45°C. The unit is for use in normal domestic environments.

CAUTION: Isolate power supply and make safe before wiring the unit to prevent electric shock and equipment damage. Installation should be carried out by a qualified electrician or competent heating engineer.



To remove the unit from the wallplate, slacken the two securing screws and hinge the unit up to separate the two halves.

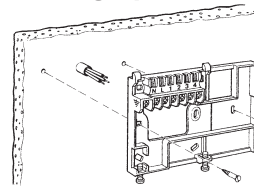
Replacing Other Manufacturers' Time Controls

This Programmer will mount directly onto many existing manufacturers' back-plates, without the need for re-wiring. However, it is also supplied complete with a wiring back-plate, should this not be the case.

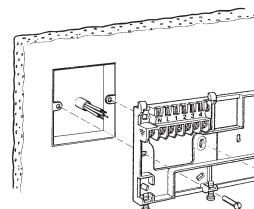
Mounting Options

RECOMMENDED CLEARANCE DISTANCES:

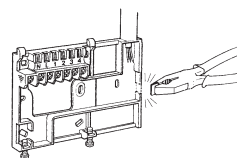
ABOVE WALLPLATE: 40mm
 BELOW WALLPLATE: 100mm
 LEFT/RIGHT OF WALLPLATE: 10mm



a. Surface mounting
concealed wiring



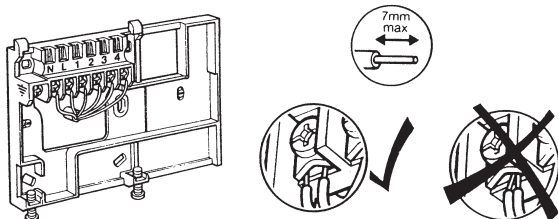
b. Flush switchbox
holes are spaced to suit
BS4662 requirements



c. Surface mounting with
surface wiring in
mini trunking

Wiring

ALL WIRING MUST BE IN ACCORDANCE WITH I.E.E. REGULATIONS. THIS UNIT IS FOR FIXED WIRING ONLY.



A switch, having contact separation of at least 3mm in all poles (formerly Class 'A'), must be incorporated in the fixed wiring as a means of disconnecting the supply.

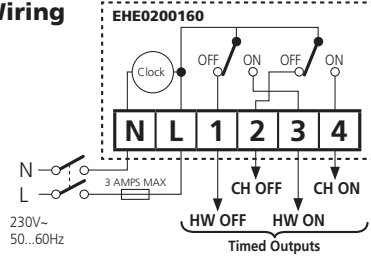
The unit is a Class II (double insulated) device. An earth terminal is provided for external earth continuity.

The system must be appropriately fused. A fuse rated at no more than 3 Amps should be installed.

The unit has 4 knockouts for surface wiring, care must be taken to ensure that the cable or mini-trunking completely fills the knockout hole without leaving any gaps.

Wiring Connections for EHE0200160 Programmer

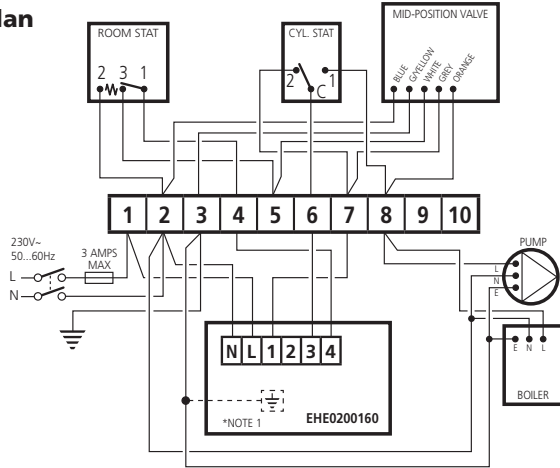
Internal Wiring



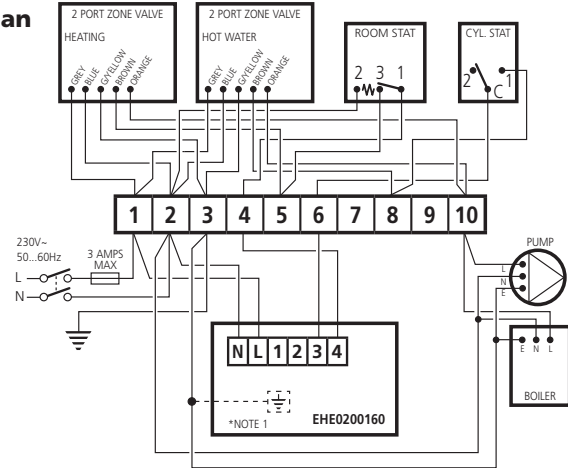
Notes

1. The Programmer is a Class II (double insulated) device. An earth parking terminal is provided for earth wiring continuity, if required.
2. In the SUNDIAL S, W, and Y Plan wiring diagrams, connections are shown to basic boilers only. For wiring connections to Pump over-run boilers refer to Boiler manufacturers' instructions.
3. The Programmer is not suitable for basic gravity hot water control, unless using a C-Plan, because it incorporates independent heating and hot water switching.

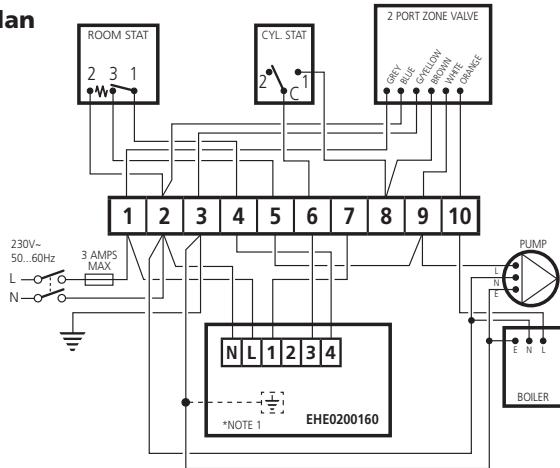
Y-Plan



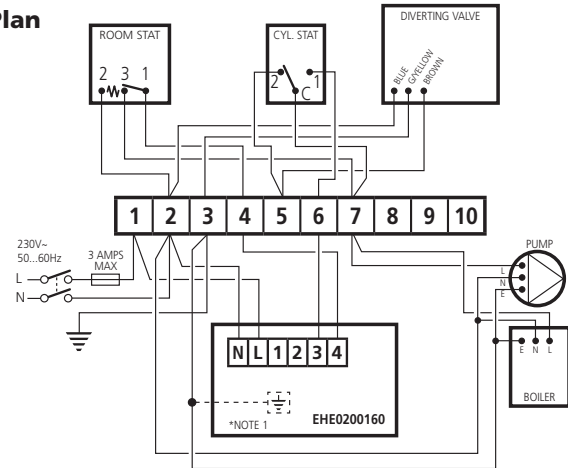
S-Plan



C-Plan



W-Plan

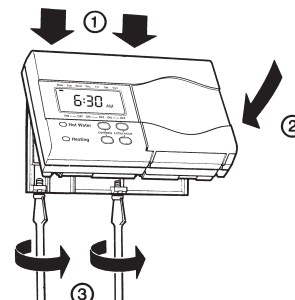


Final Assembly

Clip the unit onto the hinges on the top of the wallplate and hinge down into position. Tighten the two securing screws using a screwdriver.

Switch on the power – the Programmer will now be operating according to the built-in programme. Refer to "USER GUIDE" for programming details.

If the display remains blank press the RESET button, located under the controls cover, with a blunt instrument (e.g. Pencil)



For further information telephone 0870 8506538

Whilst every care has been taken to ensure that the information included in this document was accurate at the time of printing, we reserve the right to change specifications at any time. The photographs reproduced in this publication are within the constraints of the printing process and are NOT to be used for matching purposes. E&OE.

a **WOLSELEY** company
Ref:4277

