

Installation Guide

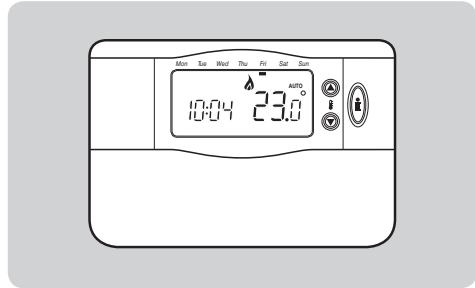
for EHE0200153 & EHE0200154 Programmable Room Thermostat



The EHE0200153 & EHE0200154 are modern programmable room thermostats. To improve the ease of use, these products include a large LCD display to assist customers during daily use.

This product has been designed with your environment in mind!

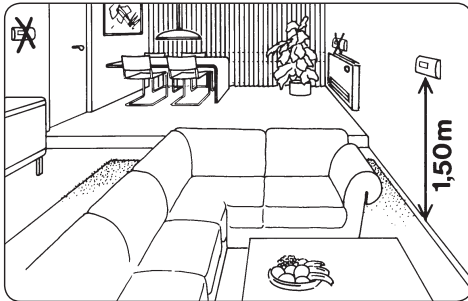
Please respect this by disposing of all packaging, used parts and eventually the product itself in an environmentally friendly manner.



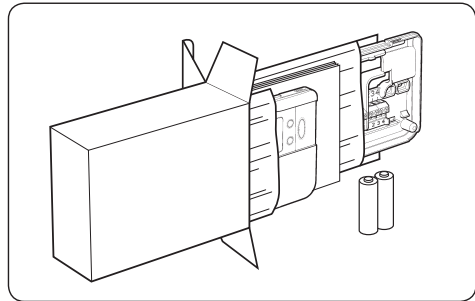
42010938-013 AA

Please follow the illustrations below to install the thermostat correctly.

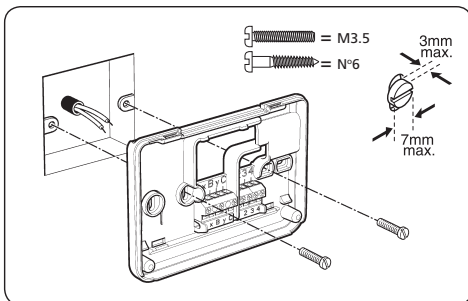
1. Find a suitable location for mounting



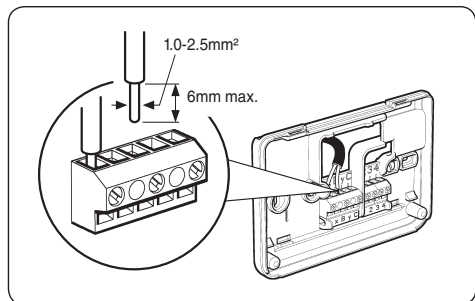
2. Remove from packaging



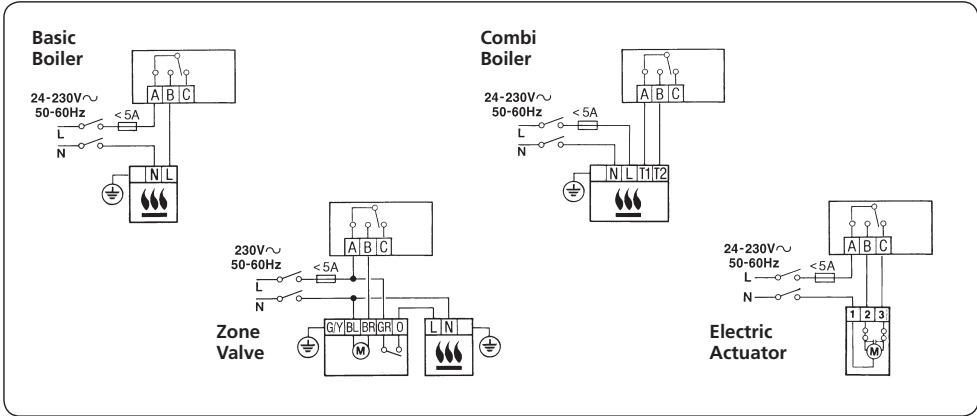
3. Mount the backplate to wall



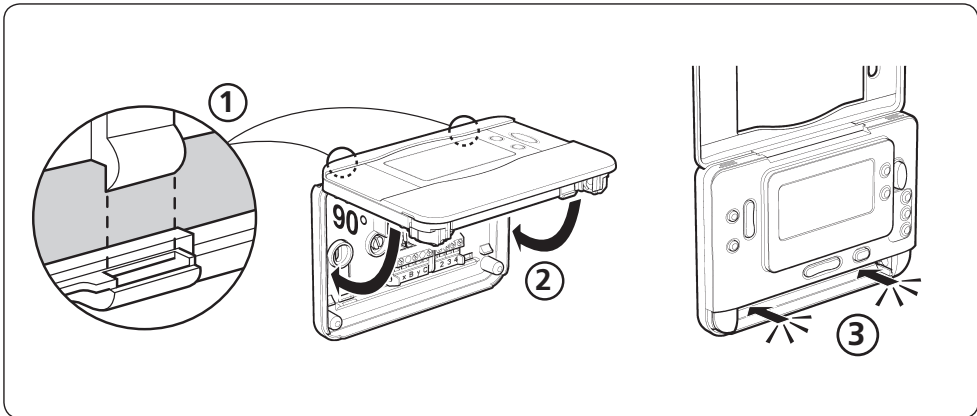
4. Connect the wiring correctly



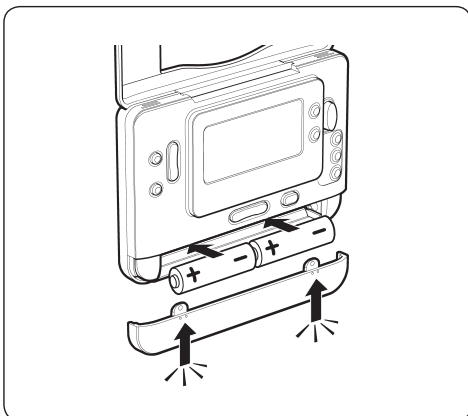
5. Typical wiring connections



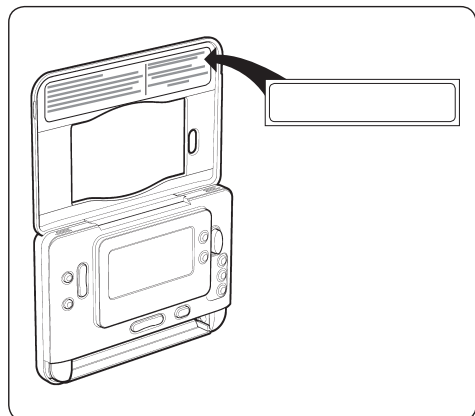
6. Attach the cover to backplate



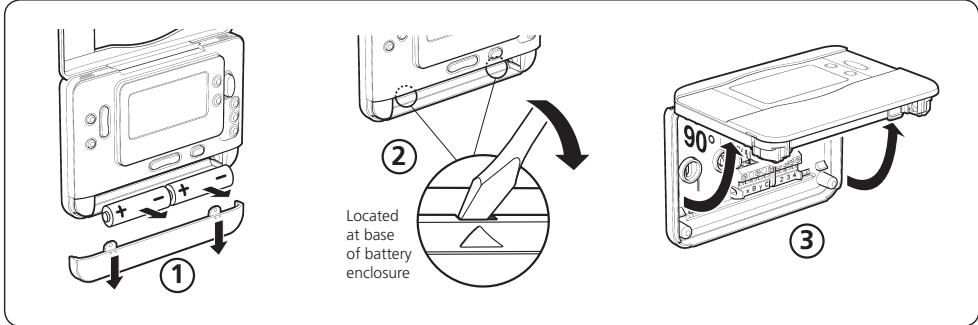
7. Install the batteries (included)



8. Attach the instruction label to flap



Cover Removal



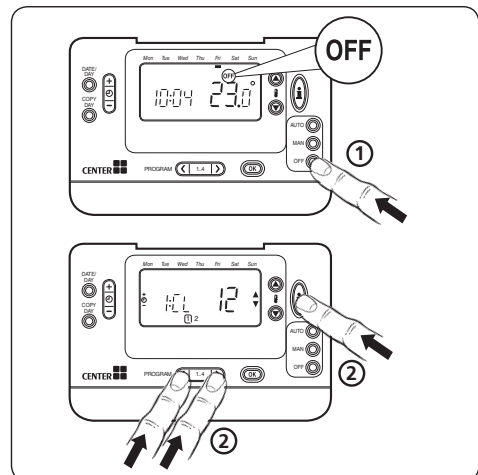
You have now installed the Programmable Thermostat. For gas boiler applications, the factory system settings will not need to be changed (for other applications see below). You can now use the USER GUIDE to program the unit and demonstrate how it works to the homeowner.

Using the Programmable Thermostat for Specific Applications


Application	Settings		What to change
	Cycle /Hour	Minimum ON time	Note: All parameters listed below belong to category 2 – system parameters (see Installer Parameter Table)
Gas Boiler (<30kW)	6	1	No changes required
Oil Boiler	3	4	Set 1:Ot parameter to 4 Set 2:Cr parameter to 3
Thermal Actuator	12	1	Set 2:Cr parameter to 12
Zone Valve	6	1	No changes required
Electric Heating (resistive load 3-5A)	12	1	Set 2:Cr parameter to 12


Entering the Installer Mode

1. Press the **OFF** button.
2. Press and hold the **OFF** button and the two **PROGRAM** buttons together.
3. The unit will display the first parameter of installer parameter group category 1 (from Parameter No. 1 to 20).
4. Press the **▲** or **▼** button to change the factory setting. The display will flash indicating that a change has been made.
5. Press the **OK** button to confirm the change. The display will stop flashing.
6. Press the **▶** button to go to the next parameter.
7. Press the **PROGRAM** button to go to Installer parameter group category 2 (from Parameter No. 1 to 5).
8. To exit installer mode, press the **AUTO**, **MAN** or **OFF** button.








Installer Parameters Table

Parameter	Parameter No.	Factory Default Settings		Optional Settings	
		Display	Description	Display	Description
Category 1 Parameters - Programmable Thermostat Settings					
AM-PM 24hr Display	1:CL	24	24 hr clock display format	12	12 hr – AM/PM clock display format
Reset Time/ Temp Program	2:rP	1	Time / Temp profile set to factory default	0	Time / Temperature are as programmed
			Changes to 0 when one of the time/temp profiles are changed	1	To restore the factory profile set to 1
Upper Temp Limit	6:UL	35	35°C Upper Temp. Limit	21 to 34	21°C to 34°C adjustment in 1°C steps
Lower Temp Limit	7:LL	5	5°C Lower Temp. Limit	6 to 20	6°C to 21°C adjustment in 1°C steps
Temperature Offset	12:tO	0	No temperature offset	-3 to +3	-3°C to +3°C adjustment in 0.1°C steps
Proportional Band Width	13:Pb	1.5	Proportional band of 1.5 degree	1.6 to 3.0	1.6°C to 3.0°C adjustment in 0.1°C steps
Reset Parameters to Factory Defaults	19:FS	1	All settings at factory defaults	0	Settings are as modified above
			Changes to 0 when one of the parameter is changed	1	To restore the factory profile set to 1
Category 2 Parameters - System Settings (press PROGRAM  to access this category)					
Minimum boiler ON time	1:Ot	1	1 minute minimum ON time	2 to 5	Selection of 2, 3, 4 or 5 minutes minimum ON time
Cycle Rate	2:Cr	6	6 cycles per hour (cph)	3,9,12	Selection of 3, 9 or 12 cph
Pump Exercise	5:PE	0	Pump exercise disabled	1	Pump exercise enabled

Notes: Always remember to press the  button to confirm that you want to store the new Installer Set-Up setting. To exit the Installer Set-Up Mode press the **AUTO** or **MAN** button.

System Commissioning

To enter the diagnostic mode press the **OFF** button then press and hold the  button for 5 sec. The unit will enter the user settings mode. Next press and hold the  and  buttons together. The unit will hold the relay on for 5 minutes and the following information will be available on the display: model ID, date code (WW/YY) and checksum. To view this info press the  or  button. To exit System Commissioning press the **AUTO** or **MAN** button.

For further information telephone 0870 8506538

Whilst every care has been taken to ensure that the information included in this document was accurate at the time of printing, we reserve the right to change specifications at any time. The photographs reproduced in this publication are within the constraints of the printing process and are NOT to be used for matching purposes. E&OE.

a WOLSELEY company
Ref:4277

