

NEW!

CenterRad Compact



VALUE PERFORMANCE STYLE
An **unbeatable combination!**

For further information telephone the Contact Centre on 0870 16 22557 or visit our website at www.plumbcenter.co.uk

Whilst every care has been taken to ensure that the information included in this document was accurate at the time of printing, we reserve the right to change specifications at any time. The photographs reproduced in this publication are within the constraints of the printing process and are NOT to be used for matching purposes. E&OE.

March 2009

PLUMB CENTER 

PLUMB CENTER 

For latest prices and delivery to your door visit MyTub Ltd - www.mytub.co.uk - info@mytub.co.uk 0844 556 1818 

The **NEW** CenterRad Compact range

It's an **unbeatable combination!**

CenterRad has brought together an unbeatable combination of **value, performance** and **style** to its new range of radiators.

High standards of manufacture combined with top quality materials and advanced production technology mean that these new radiators deliver the performance you need. They are available in a wide range of sizes to offer a variety of outputs, suitable for rooms of all sizes.

Their compact design and attractive appearance mean that they have stylish looks, significantly better than traditional seam top radiators. Plus, all products are protected from damage in transit with durable end caps, plastic corners and a polythene outer wrap.

CenterRad Compact radiators are priced competitively to deliver unrivalled value. No other radiator range gives this level of performance or great looks at such a keen price. It's an unbeatable combination!

General **specifications**



Approval and certification

All CenterRad Compact radiators are manufactured and tested to BS EN442. Every radiator carries the BS Kitemark which certifies independent approval of heat output and verifies production under a quality system to BS EN ISO 9001.

All CenterRad Compact radiators carry a ten year warranty from date of installation against defects caused by faulty materials or manufacture.

Paint finish

Every CenterRad Compact radiator is de-greased, phosphated and primer coated.

An epoxy polyester finishing coat in white (RAL 9016) is applied to all front and rear surfaces allowing the radiator to be fitted without further painting.

Packaging

Every CenterRad Compact radiator is fitted with durable end caps, plastic corner pieces and a polythene outer wrap providing dependable protection. Each radiator is clearly labelled with size and type, and packed with the appropriate number of brackets.

Fixings

All CenterRad Compact radiators are supplied with concealed wall mounting brackets. The table of dimensions overleaf gives further details.

Application

CenterRad Compact radiators are for use on two pipe pumped indirect domestic and commercial central heating installations, with a maximum working temperature of 100°C. The system should be designed in accordance with BS 5449 or BS 6880 as appropriate, with particular care taken to avoid air entry or water discharge.

We do not recommend the use of single feed indirect cylinders, as the possibility of aeration due to water interchange may lead to corrosion.

The installation work must be carried out in accordance with recognised good practice, and precautions taken to avoid contamination which could lead to corrosion. If a corrosion inhibitor or other water treatment is to be used, the Manufacturer's Instructions must be strictly followed.

The recommendations of BS 7593, Code of Practice for treatment of water in domestic hot water central heating systems, should be followed where appropriate.

General specifications (cont...)

Safety precautions

Radiators are hot when in use, and as such, present a risk of burns to users on prolonged contact. The temperature of a radiator is dependent on the temperature of the system water, as set by the system installer or user. Installers and users should ensure that those who may come into close proximity to hot radiators are aware of the risk of burns. Installers and users should take all necessary steps to minimise the risks of burns.

If the risk is significant, consideration should be given to installing low surface temperature radiators, or to placing guards in front of the radiators.

Heat output

Careful design of an optimum profile for the convector plate, and welding directly onto the wet and dry sections of the radiator, have combined to give high heat output per surface area of radiator.

The heat outputs shown in the table opposite are based on a mean water to air temperature difference of 50°C. When the difference is not 50°C, the output should be multiplied by the appropriate factor from within the table:

CENTIGRADE	FACTOR
40°C	0.75
45°C	0.87
50°C	1.00
55°C	1.13
60°C	1.27
65°C	1.41
70°C	1.55

Technical information

CenterRad Compact weight and water contents per metre length

		HEIGHT mm							
		300		450		600		700	
TYPE		Weight Kg	Water Content Kg	Weight Kg	Water Content Kg	Weight Kg	Water Content Kg	Weight Kg	Water Content Kg
11	SG	9.4	2.8	13.5	3.4	18.3	4.1	21.2	4.9
21	XG	15.1	5.7	21.9	6.7	28.9	8.3	33.4	9.9
22	DG	18.1	5.7	25.3	6.7	34.2	8.3	39.7	9.9

Connections

All CenterRad Compact radiators are fitted with 4 - 1/2 inch BSP connections.

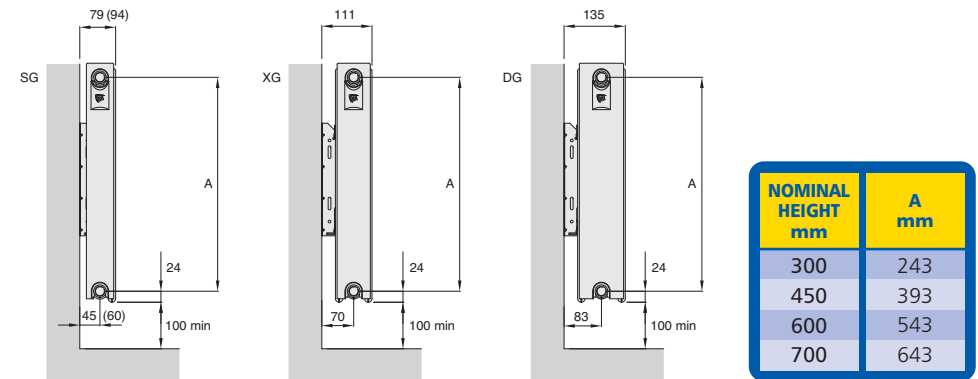
Air vents

An air vent and plug are packed with every radiator.

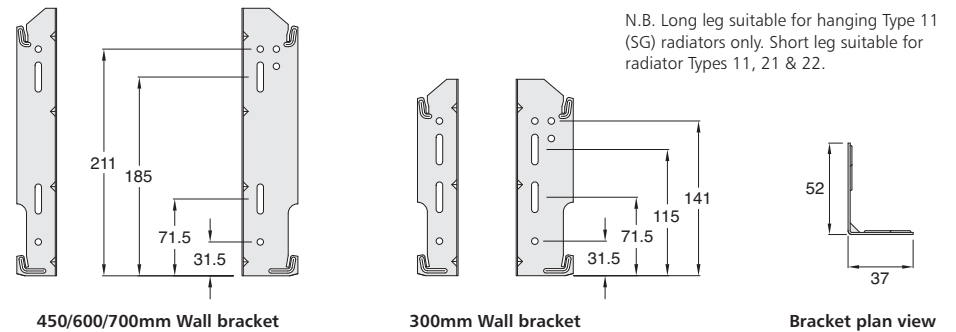
Operating pressures

Every CenterRad Compact radiator is tested to a pressure of 7 bar (101.5 psi) and is suitable for a working pressure of up to 5.4 bar (78 psi).

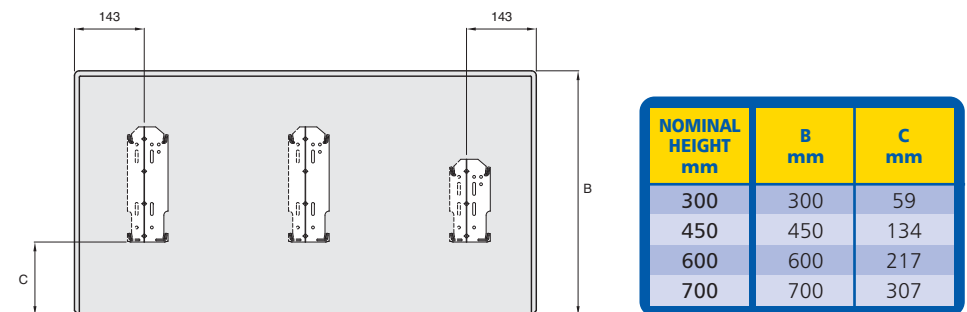
CenterRad Compact mounting positions, dimensions and wall brackets



N.B. Figures in brackets apply when hanging with long leg.



CenterRad Compact bracket positions and dimensions



N.B. Only radiators 1800mm & 2000mm long have 3 sets of brackets as shown, with the 3rd set in the middle of the radiator.

Single Convector

Type 11

(with factory fitted top grille and side panels)



Double Panel "Xtra"

Type 21

(with factory fitted top grille and side panels)



Double Convector

Type 22

(with factory fitted top grille and side panels)



	Single Convector Type 11				Double Panel "Xtra" Type 21			Double Convector Type 22		
	LENGTH mm	OUTPUT watts	OUTPUT Btu/h	ORDER CODE	OUTPUT watts	OUTPUT Btu/h	ORDER CODE	OUTPUT watts	OUTPUT Btu/h	ORDER CODE
HEIGHT 300mm	400	241	824	268200				385	1313	268208
	800	495	1690	268201	600	2048	268205	789	2693	268209
	1200	749	2555	268202	907	3095	268206	1193	4070	268211
	1600	1003	3421	268203	1215	4145	268207	1597	5450	268212
	2000	1256	4286	268204				2001	6827	268213
HEIGHT 450mm	400	287	978	268214				539	1839	268235
	500	362	1236	268215				681	2324	268236
	600	438	1494	268216				823	2809	268237
	700	513	1750	268217				964	3289	268238
	800	588	2007	268218	843	2877	268227	1106	3774	268239
	900	663	2263	268219	950	3243	268228	1247	4254	268240
	1000	739	2521	268220	1059	3613	268229	1389	4739	268241
	1100	814	2779	268221	1167	3982	268230	1531	5223	268242
	1200	889	3034	268222	1274	4348	268231	1672	5703	268243
	1400	1040	3547	268223	1490	5084	268232	1954	6668	268244
	1600	1191	4063	268224	1707	5823	268233	2239	7638	268245
	1800	1341	4576	268225	1922	6559	268234	2521	8603	268246
2000	1492	5089	268226				2804	9568	268247	
HEIGHT 600mm	400	368	1257	268248	519	1772	268261	681	2324	268274
	500	466	1588	268249	656	2239	268262	861	2937	268275
	600	563	1920	268250	793	2706	268263	1040	3549	268276
	700	659	2248	268251	929	3169	268264	1218	4156	268277
	800	756	2579	268252	1066	3636	268265	1397	4768	268278
	900	852	2907	268253	1201	4098	268266	1575	5375	268279
	1000	949	3238	268254	1338	4565	268267	1755	5987	268280
	1100	1046	3570	268255	1475	5032	268268	1934	6600	268281
	1200	1142	3898	268256	1610	5495	268269	2112	7206	268282
	1400	1336	4557	268257	1883	6424	268270	2469	8425	268283
	1600	1530	5220	268258	2157	7358	268271	2828	9650	268284
	1800	1723	5879	268259	2429	8288	268272	3186	10869	268285
2000	1916	6539	268260	2701	9217	268273	3543	12088	268286	
HEIGHT 700mm	300	307	1049	268287				562	1918	268310
	400	421	1438	268288	587	2002	268299	769	2625	268311
	500	533	1817	268289	741	2529	268300	972	3317	268312
	600	644	2196	268290	896	3057	268301	1175	4009	268313
	700	754	2571	268291	1049	3579	268302	1376	4694	268314
	800	865	2950	268292	1204	4107	268303	1578	5386	268315
	900	975	3326	268293	1357	4629	268304	1779	6071	268316
	1000	1086	3705	268294	1511	5157	268305	1982	6763	268317
	1100	1197	4084	268295	1666	5685	268306	2185	7455	268318
	1200	1307	4459	268296	1819	6207	268307	2386	8140	268319
	1400	1528	5213	268297	2127	7257	268308	2789	9517	268320
	1600	1750	5971	268298	2436	8312	268309	3195	10900	268321